

nautica
marine equipment

valvole antiblocco e sfera Guidi srl Guidi "non-stick" and ball valves



Valvola "antiblocco" con flange PN6/PN16 e indicatore di posizione
 "Non stick" valve with PN6/PN16 flanges and position indicator

Omologato RINA
 RINA validated

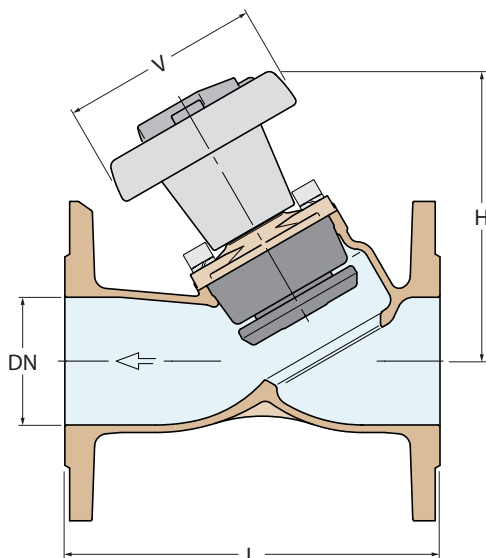


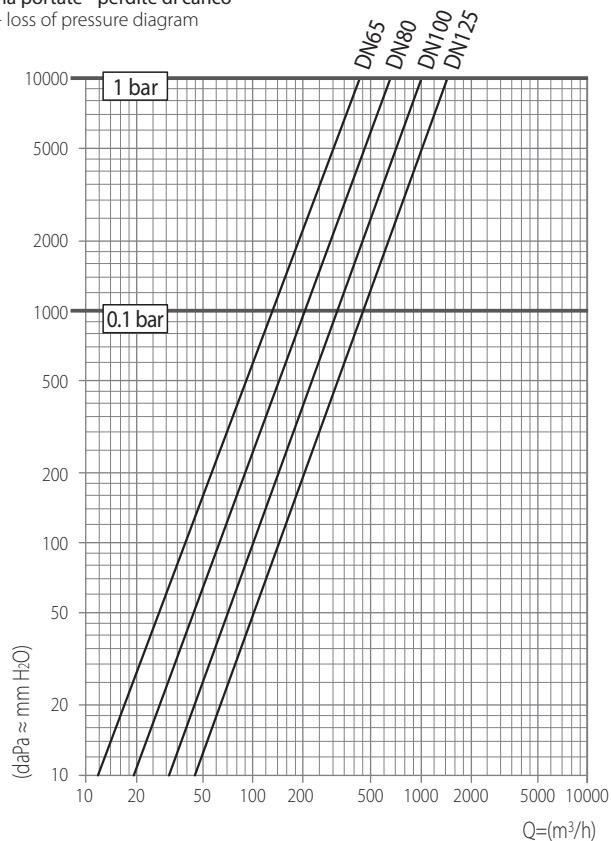
Tabella flange a pag. 195
 Flange table on page 195

* Con flangia PN16
 With flange PN16

2200	■	■	■	■
Weight (gr)*	10600	12000	16500	22200
V	125	125	160	160
H	178	181	222	234
L	218	235	270	310
DN	65	80	100	125

Bronzo
 Bronze ■

Diagramma portate - perdite di carico
 Flow rate - loss of pressure diagram



Struttura in bronzo
 Bronze body

Guarnizioni in neoprene
 Neoprene gaskets

Viti in acciaio inox
 Stainless steel screws

Volantino in termoplastico
 Thermoplastic handwheel

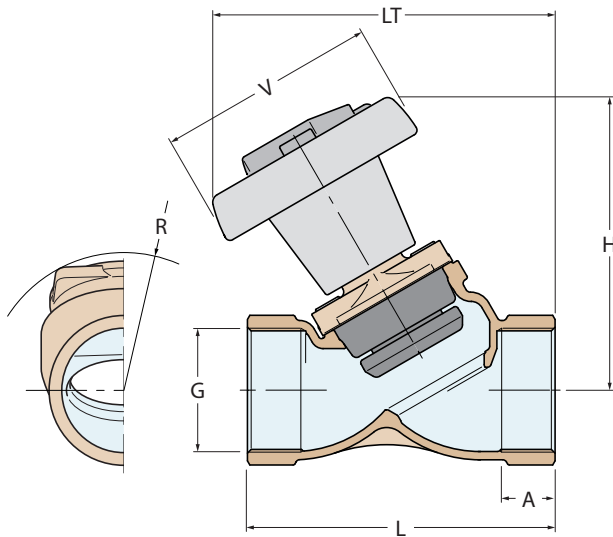
DN	0.1 bar	1 bar
65	135800	429500
80	207700	656700
100	324500	1026100
125	465000	1410000

Portate di acqua - lt/h
 Flow-rate capacity - lt/h

Valvola "antiblocco" filettata con indicatore di posizione
 Threaded "non stick" valve with position indicator

Omologato RINA
 RINA validated

Conforme alla norma
 Compliant with
UNI EN ISO 9093-1

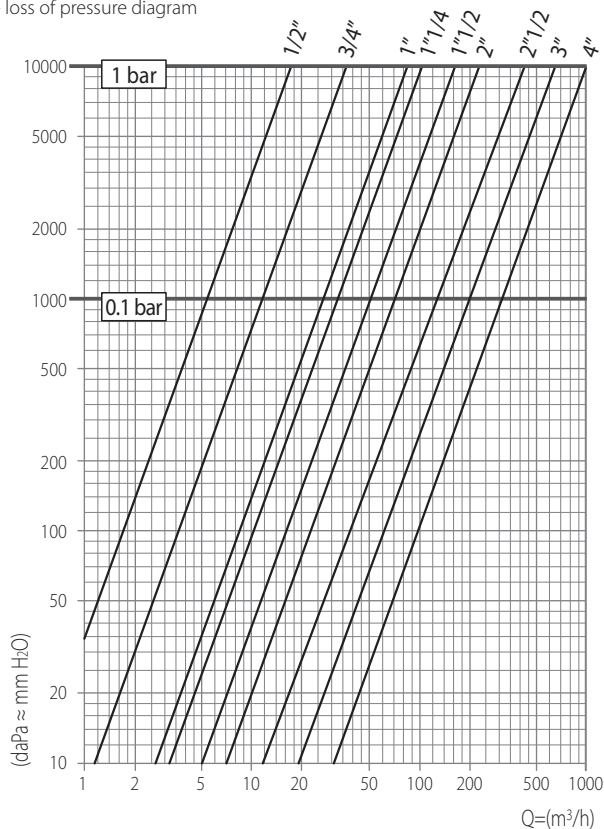


FILETTATURE / THREAD :
 G = EN 10226/1 (BS 21)

2210	1/2"	3/4"	1"	1"1/4"	1"1/2"	2"	2"1/2"	3"	4"
Weight (gr)	514	554	1350	1450	2200	2650	5300	6200	9500
R	46	44	59	61	69	69	98	106	120
LT	103	104	132	135	159	164	215	216	256
V	60	60	80	80	100	100	125	125	160
H	100	100	122	124	142	142	180	185	213
L	79	84	104	112	126	148	195	206	245
A	15	16.3	19.1	21.4	21.4	25.7	30.2	33.3	35.8
G	1/2"	3/4"	1"	1"1/4"	1"1/2"	2"	2"1/2"	3"	4"

Bronzo
 Bronze

Diagramma portate - perdite di carico
 Flow rate - loss of pressure diagram



Struttura in bronzo
 Bronze body

Guarnizioni in neoprene
 Neoprene gaskets

Viti in acciaio inox
 Stainless steel screws

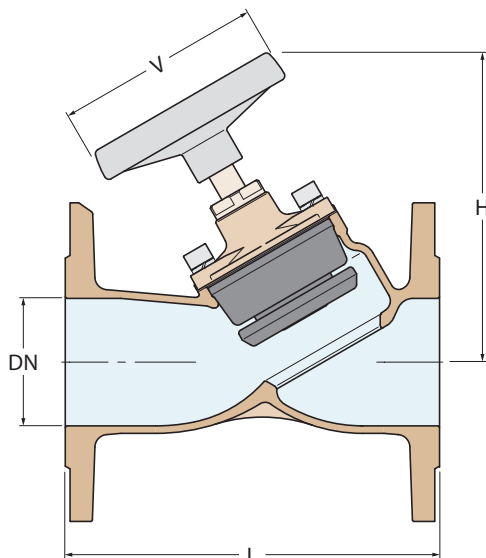
Volantino in termoplastico
 Thermoplastic handwheel

G	0.1 bar	1 bar
1/2"	5400	17400
3/4"	11800	35600
1"	27000	85400
1"1/4"	33200	105100
1"1/2"	51900	164200
2"	70800	223800
2"1/2"	135800	429500
3"	207700	656700
4"	324500	1026100

Portate di acqua - lt/h
 Flow-rate capacity - lt/h

Valvola "antiblocco" con flange PN6/PN16
 "Non stick" valve with PN6/PN16 flanges

Omologato RINA
 RINA validated



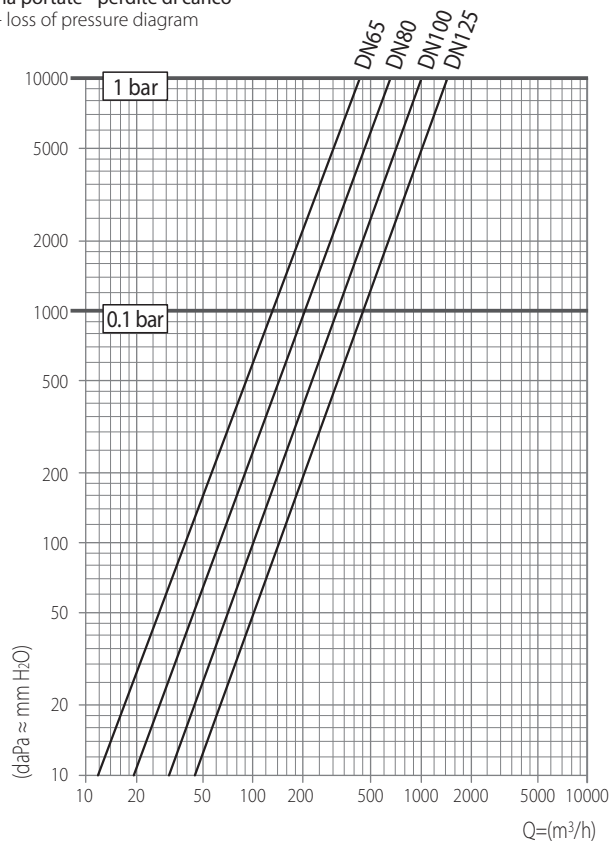
 **Tabella flange a pag. 195**
 Flange table on page 195

* Con flangia PN16
 With flange PN16

2220	■	■	■	■
Weight (gr)*	10600	12000	16500	22200
V	125	125	160	160
H	178	181	222	234
L	218	235	270	310
DN	65	80	100	125

Bronzo ■
 Bronze

Diagramma portate - perdite di carico
 Flow rate - loss of pressure diagram



Struttura in bronzo
 Bronze body

Guarnizioni in neoprene
 Neoprene gaskets

Viti in acciaio inox
 Stainless steel screws

Volantino in termoplastico
 Thermoplastic handwheel

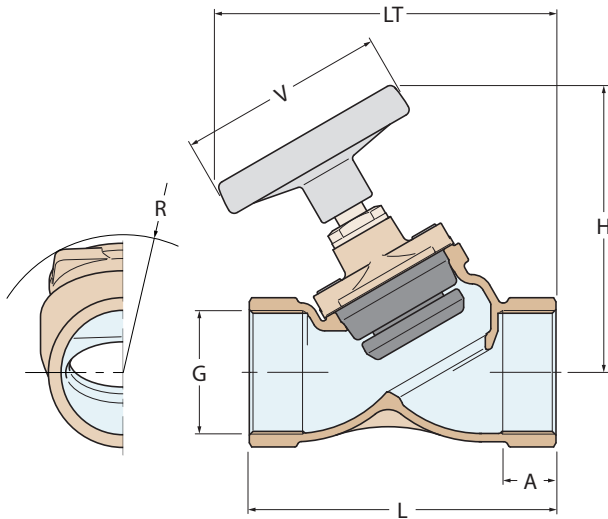
DN	0.1 bar	1 bar
65	135800	429500
80	207700	656700
100	324500	1026100
125	465000	1410000

Portate di acqua - lt/h
 Flow-rate capacity - lt/h

Valvola "antiblocco" filettata
Threaded "non stick" valve

Omologato RINA
RINA validated

Conforme alla norma
Compliant with
UNI EN ISO 9093-1

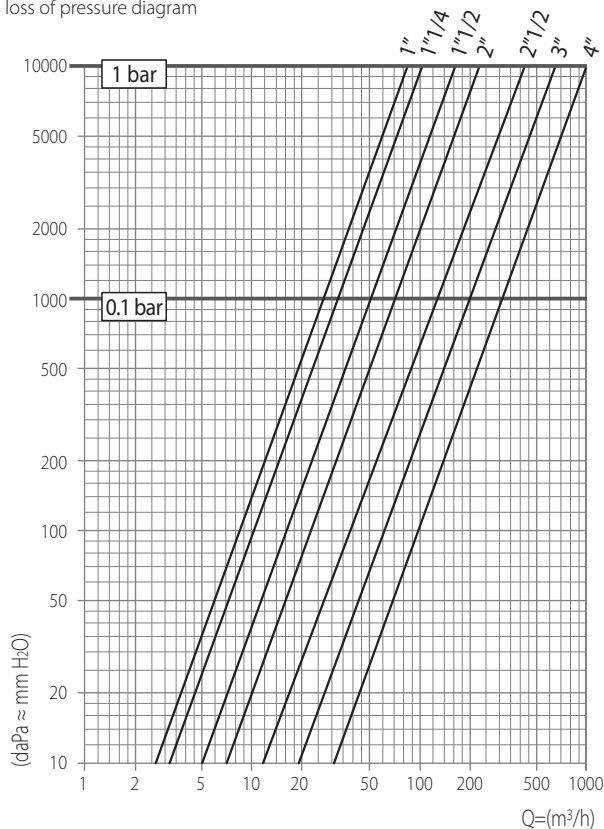


FILETTATURE / THREAD :
G = EN 10226/1 (BS 21)

2230							
Weight (gr)	1350	1450	2200	2650	5300	6200	9500
R	59	61	69	69	98	106	120
LT	132	135	159	164	215	216	256
V	80	80	100	100	125	125	160
H	122	124	142	142	180	185	213
L	104	112	126	148	195	206	245
A	19.1	21.4	21.4	25.7	30.2	33.3	35.8
G	1"	1"1/4	1"1/2	2"	2"1/2	3"	4"

Bronzo
Bronze

Diagramma portate - perdite di carico
Flow rate - loss of pressure diagram



Struttura in bronzo
Bronze body

Guarnizioni in neoprene
Neoprene gaskets

Viti in acciaio inox
Stainless steel screws

Volantino in termoplastico
Thermoplastic handwheel

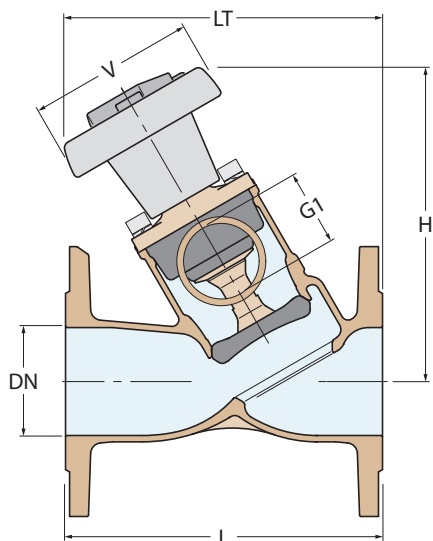
G	0.1 bar	1 bar
1"	27000	85400
1"1/4	33200	105100
1"1/2	51900	164200
2"	70800	223800
2"1/2	135800	429500
3"	207700	656700
4"	324500	1026100

Portate di acqua - lt/h
Flow-rate capacity - lt/h

Valvola presa a mare "antiblocco" a doppia mandata con flange PN6/PN16 e indicatore di posizione

Double intake "non stick" valve with PN6/PN16 flanges and position indicator

Omologato RINA
RINA validated



* Con flangia PN16
With flange PN16

FILETTATURE / THREAD :
G1 = EN 10226/1 (BS 21)

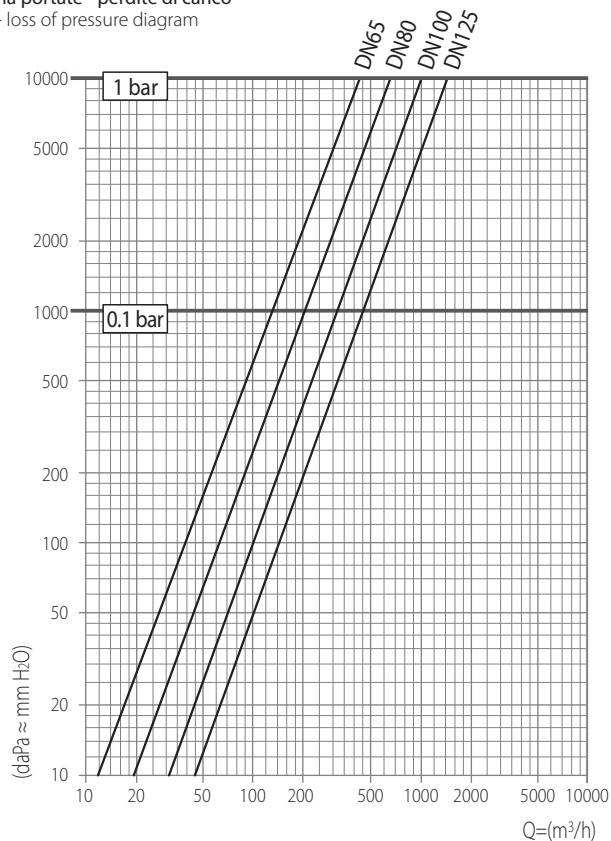


Tabella flange a pag. 195
Flange table on page 195

2240	■	■	■	■
Weight (gr)*	12800	14100	20000	26500
LT	232	236	287	320
V	125	125	160	160
H	231	234	283	305
L	218	235	270	310
G1	1"1/2	2"	2"1/2	3"
DN	65	80	100	125

Bronzo
Bronze ■

Diagramma portate - perdite di carico
Flow rate - loss of pressure diagram



Struttura in bronzo
Bronze body

Guarnizioni in neoprene
Neoprene gaskets

Viti in acciaio inox
Stainless steel screws

Volantino in termoplastico
Thermoplastic handwheel

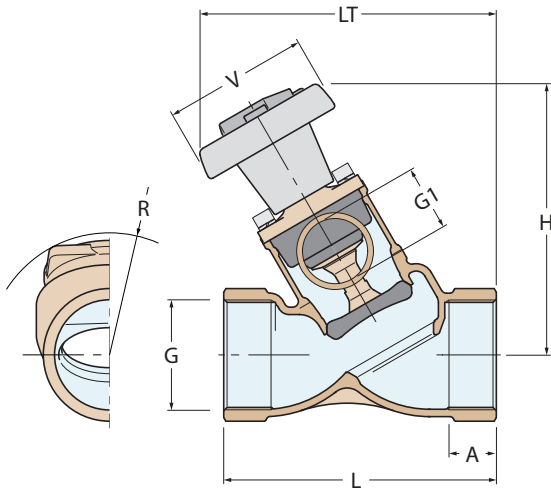
DN	0.1 bar	1 bar
65	135800	429500
80	207700	656700
100	324500	1026100
125	465000	1410000

Portate di acqua - lt/h
Flow-rate capacity - lt/h

Valvola presa a mare "antiblocco" a doppia mandata F-F-F e indicatore di posizione
 Double intake "non stick" valve F-F-F with position indicator

Omologato RINA
 RINA validated

Conforme alla norma
 Compliant with
UNI EN ISO 9093-1



FILETTATURE / THREAD :
 G - G1 = EN 10226/1 (BS 21)

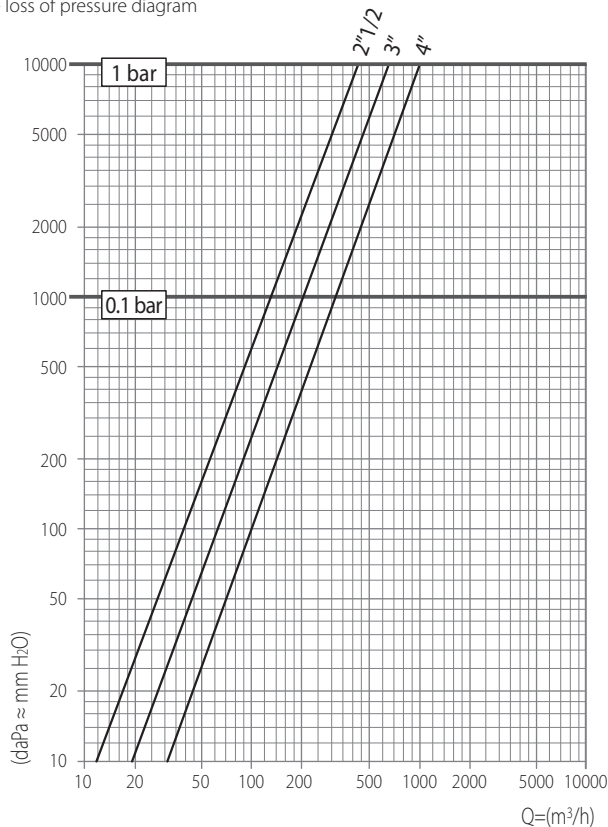


Bronzo
 Bronze

2250

Weight (gr)	7400	8250	13000
R	98	106	120
LT	244	246	291
V	125	125	160
H	233	236	274
L	195	206	245
A	30.2	33.3	35.8
G1	1"1/2	2"	2"1/2
G	2"1/2	3"	4"

Diagramma portate - perdite di carico
 Flow rate - loss of pressure diagram



Struttura in bronzo
 Bronze body

Guarnizioni in neoprene
 Neoprene gaskets

Viti in acciaio inox
 Stainless steel screws

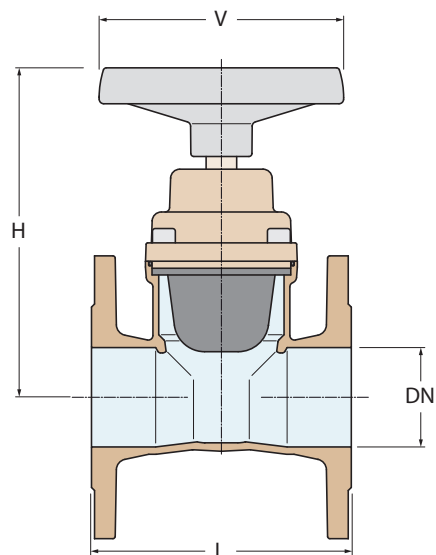
Volantino in termoplastico
 Thermoplastic handwheel

G	0.1 bar	1 bar
2"1/2	135800	429500
3"	207700	656700
4"	324500	1026100

Portate di acqua - lt/h
 Flow-rate capacity - lt/h

Valvola "antiblocco Alex"
flangiata PN6/PN16
 "Non stick" valve "Alex"
 with PN6/PN16 flanges

Omologato RINA
 RINA validated



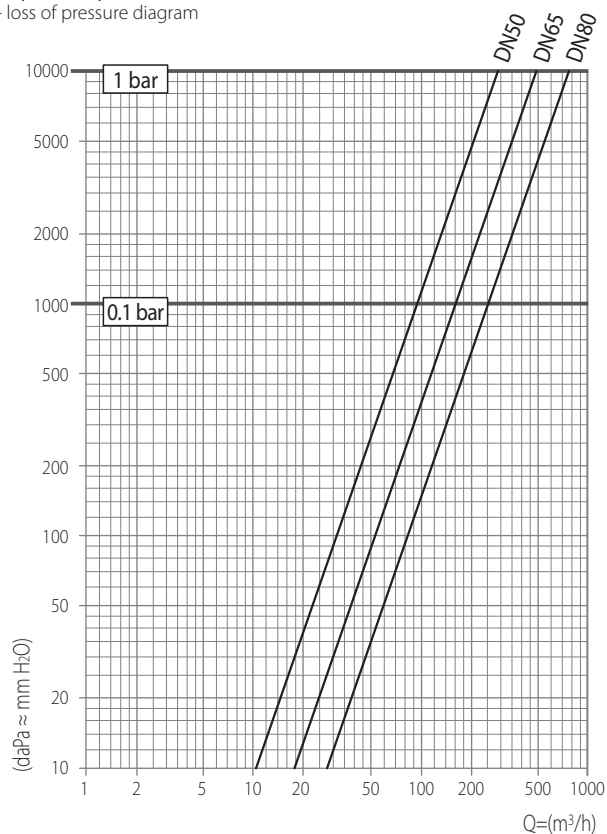
 **Tabella flange a pag. 195**
 Flange table on page 195

* Con flangia PN16
 With flange PN16

2275	■	■	■
Weight (gr)*	7000	10700	13560
V	130	160	160
H	184	215	236
L	150	170	180
DN	50	65	80

Bronzo ■
 Bronze

Diagramma portate - perdite di carico
 Flow rate - loss of pressure diagram



Struttura in bronzo
 Bronze body

Guarnizioni in neoprene
 Neoprene gaskets

Viti in acciaio inox
 Stainless steel screws

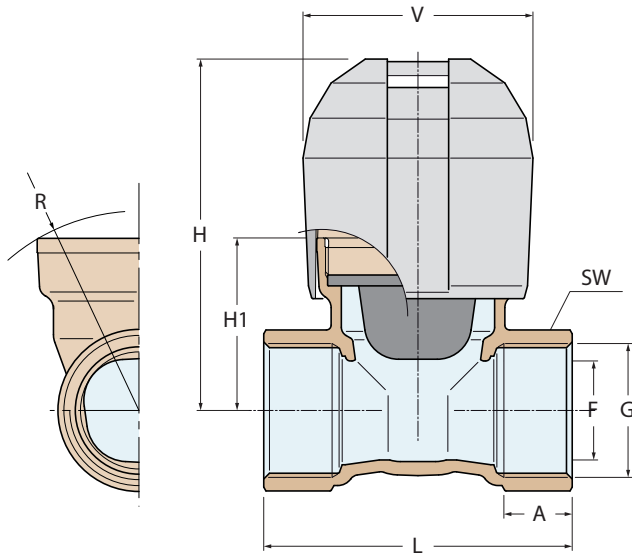
Volantino in termoplastico
 Thermoplastic handwheel

DN	1 bar
50	280000
65	490000
80	740000

Portate di acqua - lt/h
 Flow-rate capacity - lt/h

**Valvola "antiblocco Alex" filettata
passaggio totale**
Threaded "non stick" valve "Alex"
full flow

Omologato RINA
RINA validated



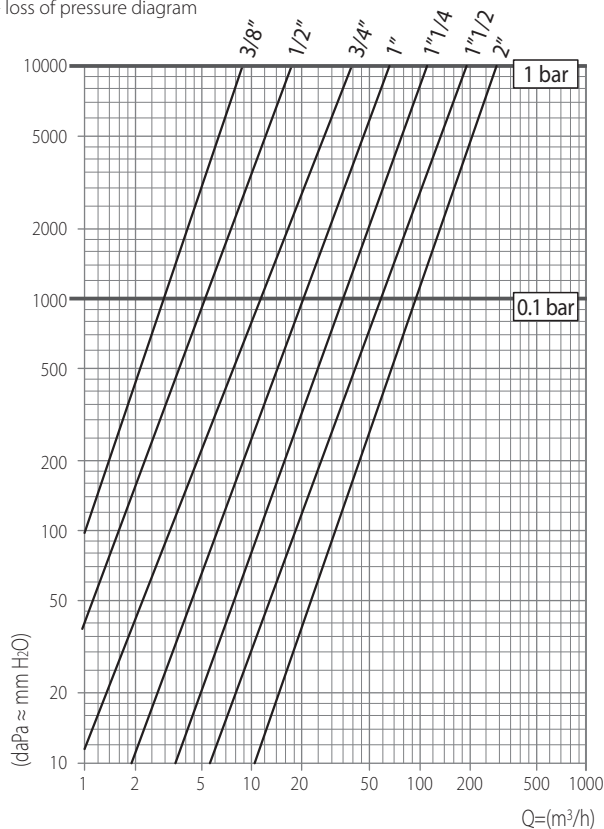
FILETTATURE / THREAD :
G = EN 10226/1 (BS 21)



Bronzo
Bronze

2260	3/8"	1/2"	3/4"	1"	1"1/4"	1"1/2"	2"
Weight (gr)	490	480	650	840	1250	1500	2500
SW	25	25	31	38	47	54	67
R	43	43	50	54	63	70	80
H1	36	36	43	47	54	61	72
F	15	15	20	25	33	38	48
A	11.4	15	16.3	19.1	21.4	21.4	25.7
V	53	53	58	63	72	78	90
L	67	67	73	84	97	103	124
H	76	76	85	94	110	118	139
G	3/8"	1/2"	3/4"	1"	1"1/4"	1"1/2"	2"

Diagramma portate - perdite di carico
Flow rate - loss of pressure diagram



Corpo in bronzo
Bronze body

Guarnizioni in neoprene
Neoprene gaskets

Volantino in ABS
ABS handwheel

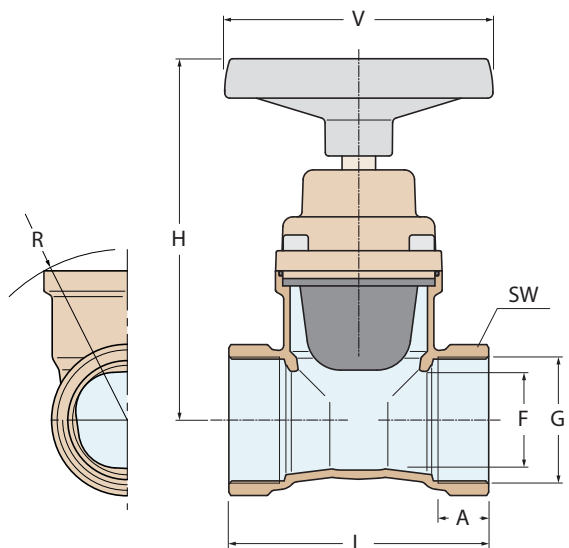
G	0.1 bar	1 bar
3/8"	2940	8800
1/2"	5100	17000
3/4"	11600	39000
1"	20100	65000
1"1/4"	35500	110000
1"1/2"	59400	189000
2"	92600	280000

Portate di acqua - lt/h
Flow-rate capacity - lt/h

**Valvola "antiblocco Alex" filettata
passaggio totale**

Threaded "non stick valve "Alex"
full flow

Omologato RINA
RINA validated

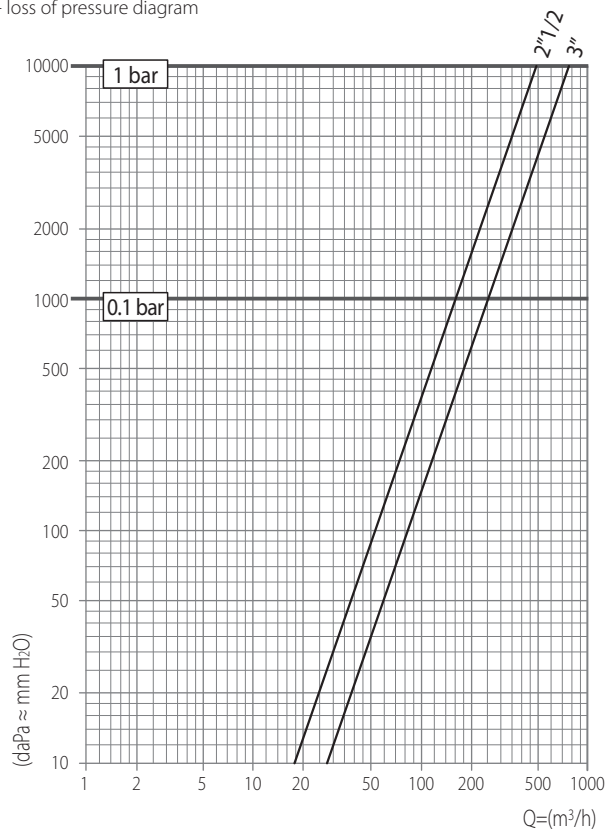


FILETTATURE / THREAD :
G = EN 10226/1 (BS 21)

Bronzo
Bronze

2261	2 1/2"	3"
Weight (gr)	5330	7410
SW	85	98
R	102	120
F	58	70
A	30	33
V	160	160
L	155	180
H	215	236
G	2"1/2	3"

Diagramma portate - perdite di carico
Flow rate - loss of pressure diagram



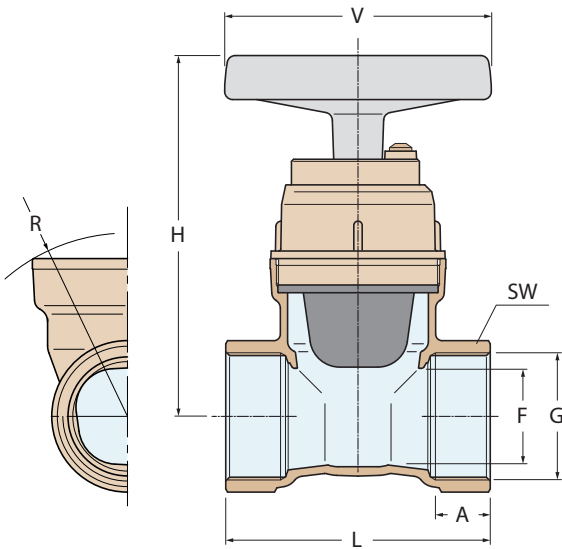
- Corpo in bronzo**
Bronze body
- Guarnizioni in neoprene**
Neoprene gaskets
- Volantino in termoplastico**
Thermoplastic handwheel

G	1 bar
2"1/2	490000
3"	740000

Portate di acqua - lt/h
Flow-rate capacity - lt/h

**Valvola "antiblocco Alex" filettata
passaggio totale**
Threaded "non stick" valve "Alex"
full flow

Omologato RINA
RINA validated



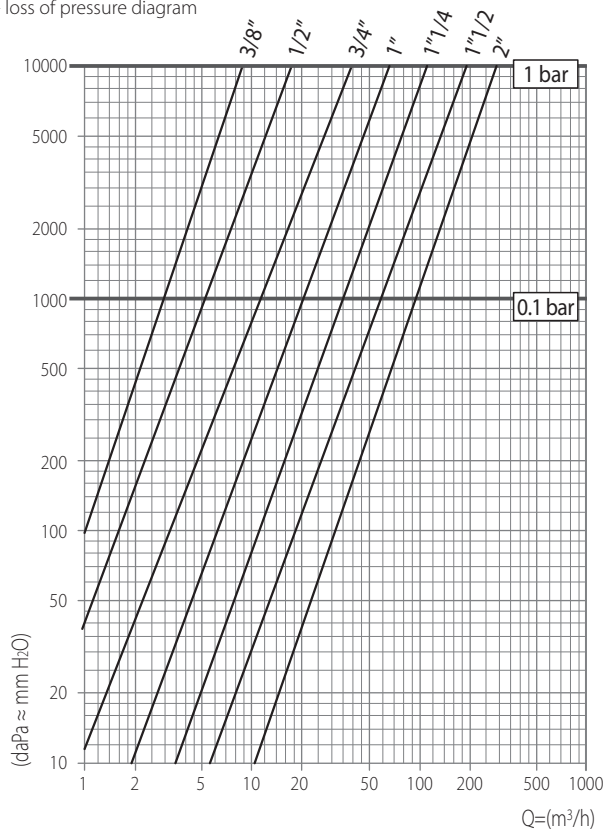
FILETTATURE / THREAD :
G = EN 10226/1 (BS 21)



Bronzo nichelato
Nickel-plated bronze

2270	3/8"	1/2"	3/4"	1"	1"1/4"	1"1/2"	2"
PN	16	16	16	16	16	16	16
Weight (gr)	490	480	650	840	1250	1500	2500
SW	25	25	31	38	47	54	67
R	43	43	50	54	63	70	80
F	15	15	20	25	33	38	48
A	11.4	15	16.3	19.1	21.4	21.4	25.7
V	80	80	80	80	100	100	100
L	67	67	73	84	97	103	124
H	95	95	120	125	150	158	179
G	3/8"	1/2"	3/4"	1"	1"1/4"	1"1/2"	2"

Diagramma portate - perdite di carico
Flow rate - loss of pressure diagram



Corpo in bronzo nichelato
Nickel-plated bronze body

Guarnizioni in neoprene
Neoprene gaskets

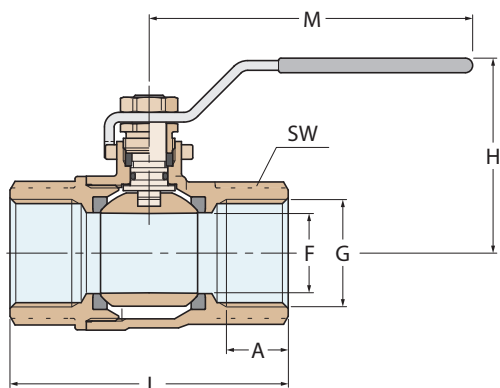
Volantino in termoplastico
Thermoplastic handwheel

G	0.1 bar	1 bar
3/8"	2940	8800
1/2"	5100	17000
3/4"	11600	39000
1"	20100	65000
1"1/4"	35500	110000
1"1/2"	59400	189000
2"	92600	280000

Portate di acqua - lt/h
Flow-rate capacity - lt/h

**Valvola a sfera F-F
passaggio totale a leva**
Lever operated ball
valve F-F full flow

Omologato RINA
RINA validated

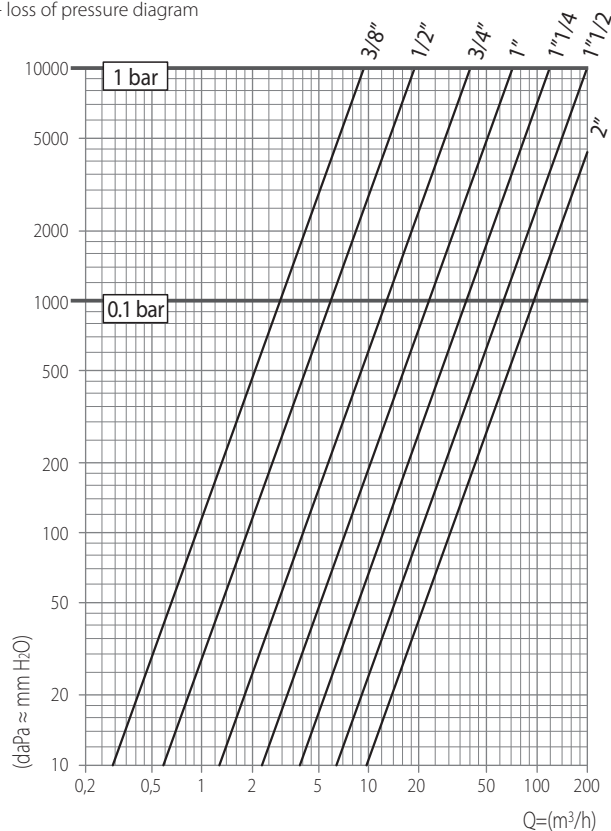


FILETTATURE / THREAD :
G = EN 10226/1 (BS 21)

2400	3/8"	1/2"	3/4"	1"	1"1/4"	1"1/2"	2"
Weight (gr)	190	280	390	600	990	1200	2000
SW	22	26	32	41	50	55	69
M	78	78	98	98	128	128	158
H	48	49	56	60	72	77	88
L	54	65	72	86	99	107	128
F	12	14.8	19.5	24.5	31.5	38.5	48
A	11.4	15	16.3	19.1	21.4	21.4	25.7
G	3/8"	1/2"	3/4"	1"	1"1/4"	1"1/2"	2"

Bronzo
Bronze

Diagramma portate - perdite di carico
Flow rate - loss of pressure diagram



Struttura in bronzo
Bronze body

Guarnizioni in PTFE
PTFE gaskets

Leva in acciaio inox
Stainless steel lever

G	1 bar
3/8"	9000
1/2"	18000
3/4"	39000
1"	71000
1"1/4"	119000
1"1/2"	196000
2"	300000

Portate di acqua - lt/h
Flow-rate capacity - lt/h

2200AE

Valvola antiblocco con attuatore elettrico
 "Non stick" valve with electric actuator

Valvola antiblocco omologata RINA
 "Non stick" valve RINA validated

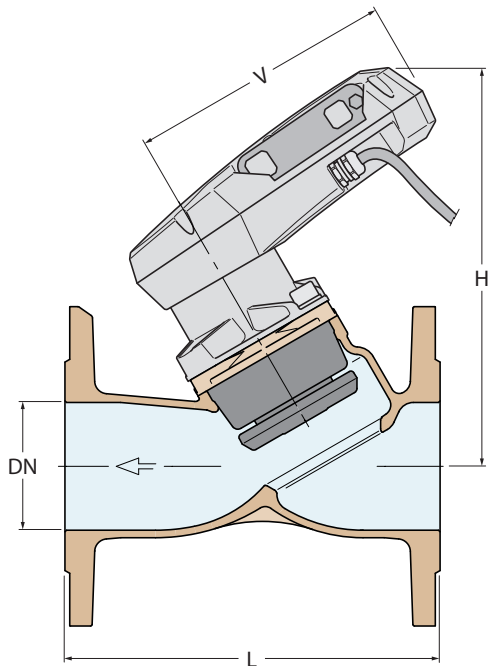


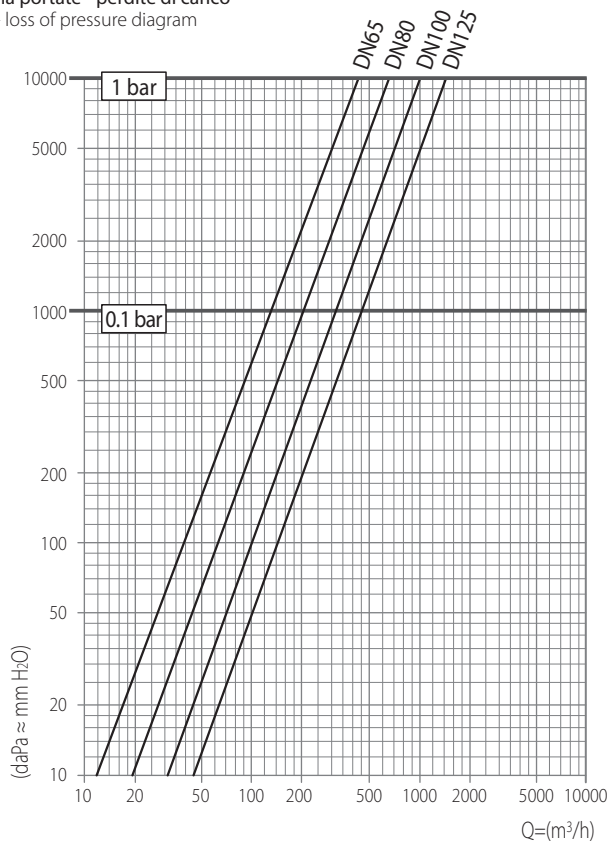
Tabella flange a pag. 195
 Flange table on page 195

* Con flangia PN16
 With flange PN16

2200AE	65	80	100	125
Weight (gr)*	11450	12850	17350	23050
V	167	167	167	167
H	247	249	282	292
L	218	235	270	310
DN	65	80	100	125

Bronzo
 Bronze

Diagramma portate - perdite di carico
 Flow rate - loss of pressure diagram



Struttura in bronzo
 Bronze body

Guarnizioni in neoprene
 Neoprene gaskets

Viti in acciaio inox
 Stainless steel screws

Volantino in termoplastico
 Thermoplastic handwheel

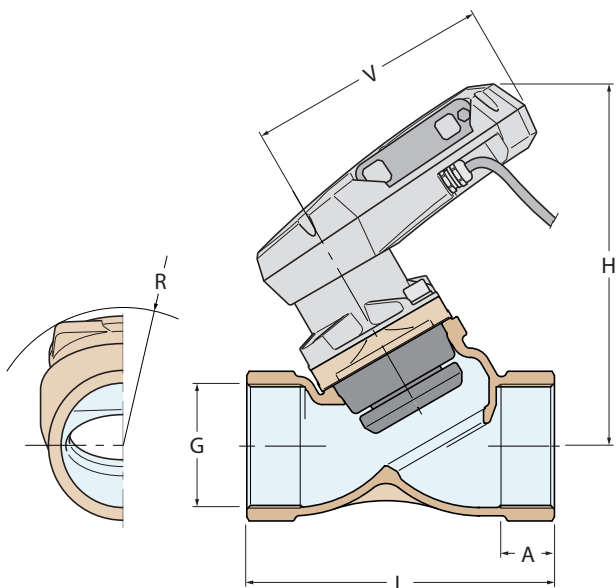
DN	0.1 bar	1 bar
65	135800	429500
80	207700	656700
100	324500	1026100
125	465000	1410000

Portate di acqua - lt/h
 Flow-rate capacity - lt/h

Valvola antiblocco con attuatore elettrico
"Non stick" valve with electric actuator

Valvola antiblocco omologata RINA
"Non stick" valve RINA validated

Conforme alla norma
Compliant with
UNI EN ISO 9093-1



FILETTATURE / THREAD :
G = EN 10226/1 (BS 21)

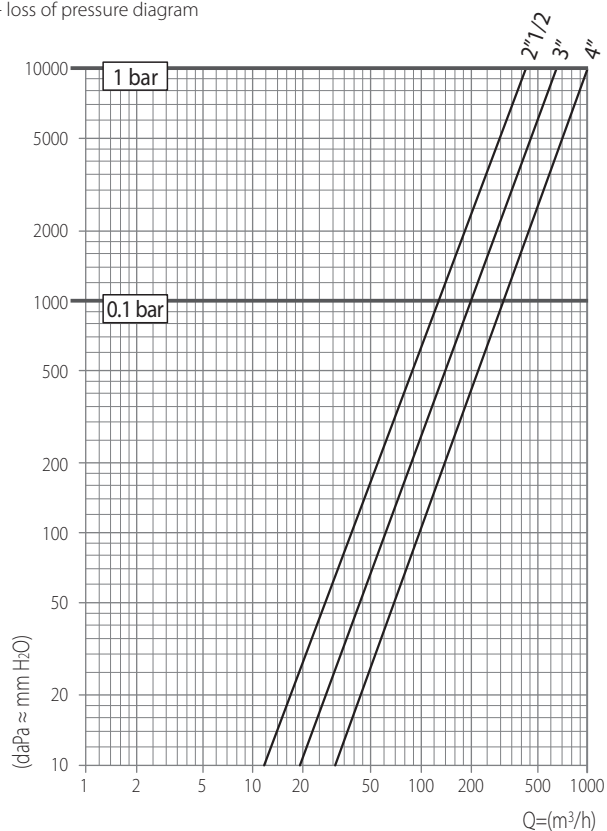
2210AE

	2 1/2"	3"	4"
Weight (gr)	6150	7050	10350
R	98	106	120
V	167	167	167
H	249	253	273
L	195	206	245
A	30.2	33.3	35.8
G	2 1/2"	3"	4"

Bronzo
Bronze



Diagramma portate - perdite di carico
Flow rate - loss of pressure diagram



Struttura in bronzo
Bronze body

Guarnizioni in neoprene
Neoprene gaskets

Viti in acciaio inox
Stainless steel screws

Volantino in termoplastico
Thermoplastic handwheel

G	0.1 bar	1 bar
2 1/2"	135800	429500
3"	207700	656700
4"	324500	1026100

Portate di acqua - lt/h
Flow-rate capacity - lt/h

2275AE

Valvola antiblocco con attuatore elettrico
 "Non stick" valve with electric actuator

Valvola antiblocco omologata RINA
 "Non stick" valve RINA validated

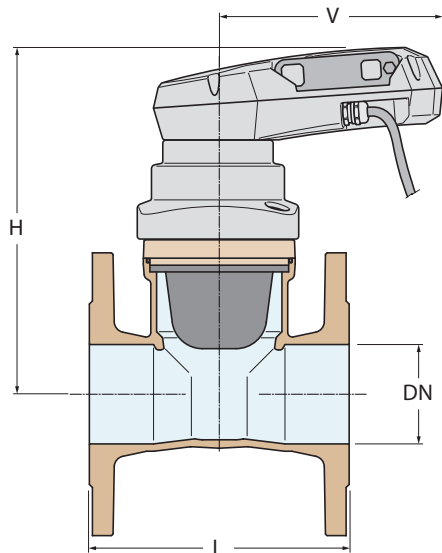


Tabella flange a pag. 195
 Flange table on page 195

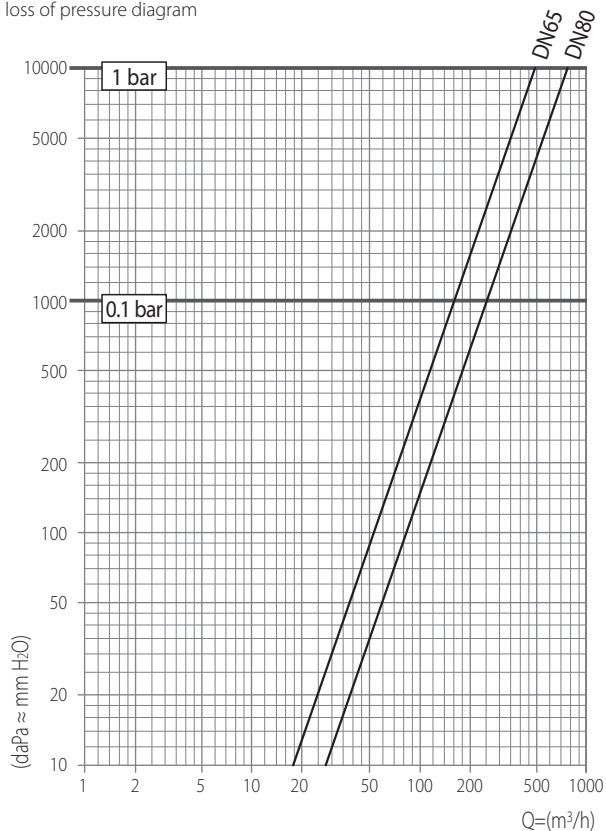
* Con flangia PN16
 With flange PN16

2275AE

Weight (gr)*	11550	14410
V	167	167
H	240	260
L	170	180
DN	65	80

Bronzo
 Bronze

Diagramma portate - perdite di carico
 Flow rate - loss of pressure diagram



Struttura in bronzo
 Bronze body

Guarnizioni in neoprene
 Neoprene gaskets

Viti in acciaio inox
 Stainless steel screws

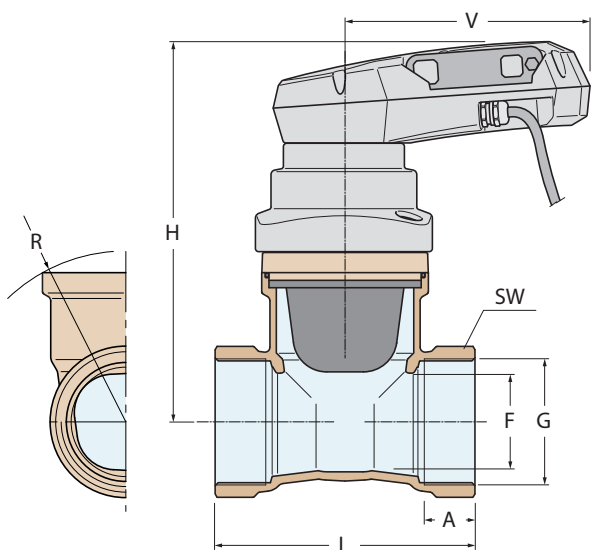
Volantino in termoplastico
 Thermoplastic handwheel

DN	1 bar
65	490000
80	740000

Portate di acqua - lt/h
 Flow-rate capacity - lt/h

Valvola antiblocco con attuatore elettrico
 "Non stick" valve with electric actuator

Valvola antiblocco omologata RINA
 "Non stick" valve RINA validated



FILETTATURE / THREAD :
 G = EN 10226/1 (BS 21)

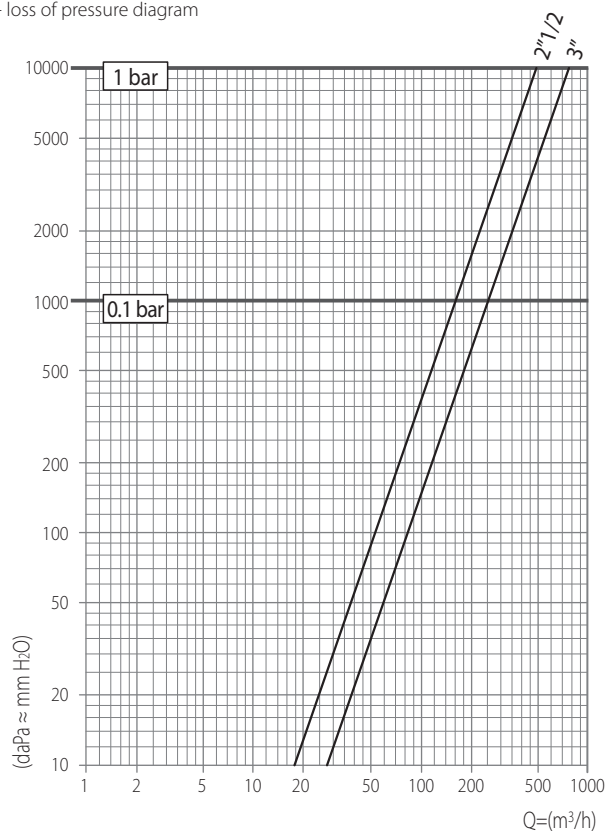
2261AE

Weight (gr)	6180	8260
SW	85	98
R	102	120
F	58	70
A	30	33
V	167	167
L	155	180
H	240	260
G	2"1/2	3"



Bronzo
 Bronze

Diagramma portate - perdite di carico
 Flow rate - loss of pressure diagram

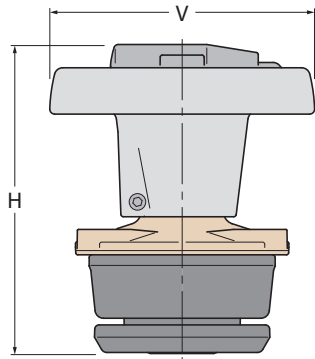


- Corpo in bronzo**
Bronze body
- Guarnizioni in neoprene**
Neoprene gaskets
- Volantino in ABS**
ABS handwheel

G	1 bar
2"1/2	490000
3"	740000

Portate di acqua - lt/h
 Flow-rate capacity - lt/h

KIT2200



Kit comando valvola "antiblocco" con indicatore di posizione
Control kit for "non stick" valve with position indicator



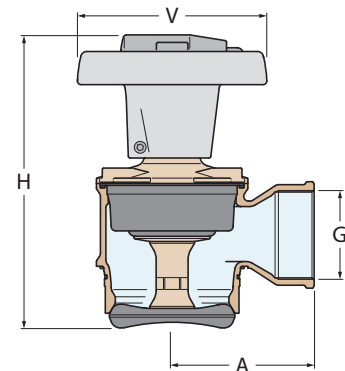
Bronzo
Bronze

KIT2200

for Art. 2200 - 2210

Weight (gr)	235	235	550	550	1170	1170	2300	2300	4000	5000
V	60	60	80	80	100	100	125	125	160	160
H	85	85	116	116	132	132	155	155	177	195
Size - DN	15	20	25	32	40	50	65	80	100	125

KIT2240



Kit comando valvola a doppia mandata
Control kit for double intake valve



Bronzo
Bronze

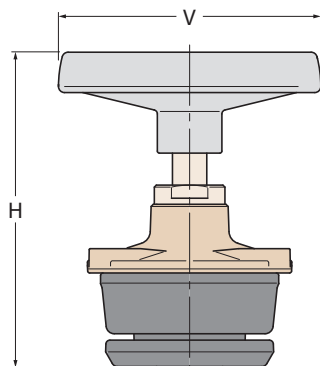
FILETTATURE / THREAD :
G - G1 = EN 10226/1 (BS 21)

KIT2240

for Art. 2240 - 2250

Weight (gr)	4800	4500	7600	9800
V	125	125	160	160
A	95	95	120	138
H	211	211	245	275
G	1"1/2	2"	2"1/2	3"
Size - DN	65	80	100	125

KIT2220



Kit comando valvola "antiblocco"
Control kit for "non stick" valve



Bronzo
Bronze

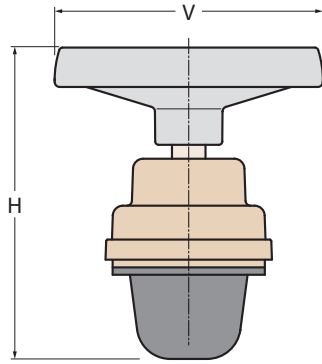
KIT2220

for Art. 2220 - 2230

Weight (gr)	540	540	1160	1160	2250	2250	3950	4950
V	80	80	100	100	125	125	160	160
H	116	116	132	132	155	155	177	195
Size - DN	25	32	40	50	65	80	100	125

KIT2275

Kit comando valvola "antiblocco Alex"
Control kit for "non stick" valve "Alex"




Bronzo
Bronze

KIT2275

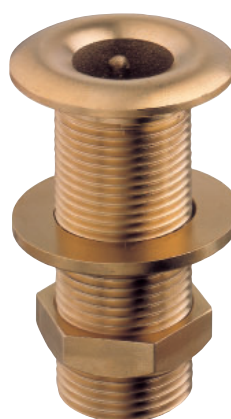
for Art. 2275 - 2261

Weight (gr)	1200	2760	3860
V	100	160	160
H	160	185	200
Size - G	2"	2"1/2	3"



nautica
marine equipment

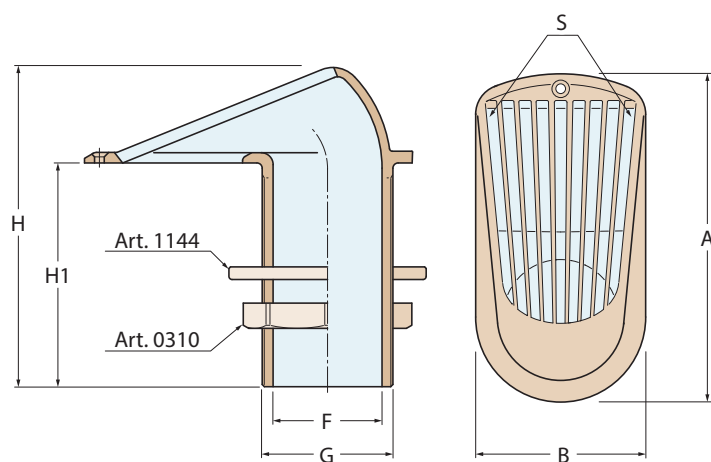
prese e scarichi a mare water intakes and thru-hulls



prese e scarichi a mare water intakes and thru-hulls

1112

Pres a mare serie "2000"
Grated water intake "2000" series



FILETTATURE / THREAD :
G = ISO 228/1 (BS 2779)

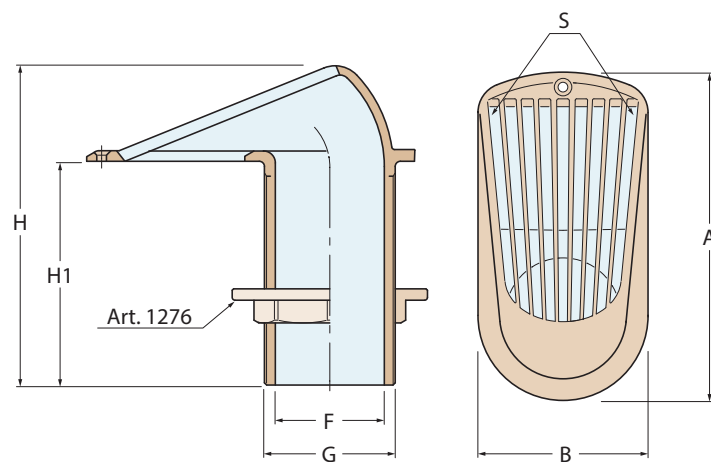
1112	■	■	■
Weight (gr)	2800	3500	6400
S (cm ²)	51	66.2	122
H	189	214	285
H1	130	150	200
F	64	77	101
A	200	220	293
B	100	115	145
G	2"1/2	3"	4"



Ottone sabbiato
Yellow brass ■

1112B

Pres a mare serie "2000"
Grated water intake "2000" series



FILETTATURE / THREAD :
G = ISO 228/1 (BS 2779)

1112B	■	■	■	■	■	■	■	■	■
Weight (gr)	260	360	635	917	1177	1706	2850	3600	6600
S (cm ²)	6.2	7	15	21	25.5	37	51	66.2	122
H	95	103	111	118	129	142	189	214	285
H1	75	80	85	90	100	110	130	150	200
F	11.5	15	25	33	38.5	49.5	64	77	101
A	74	81	104	118	130	154	200	220	293
B	37	40	55	64	71	84	100	115	145
G	1/2"	3/4"	1"	1"1/4	1"1/2	2"	2"1/2	3"	4"



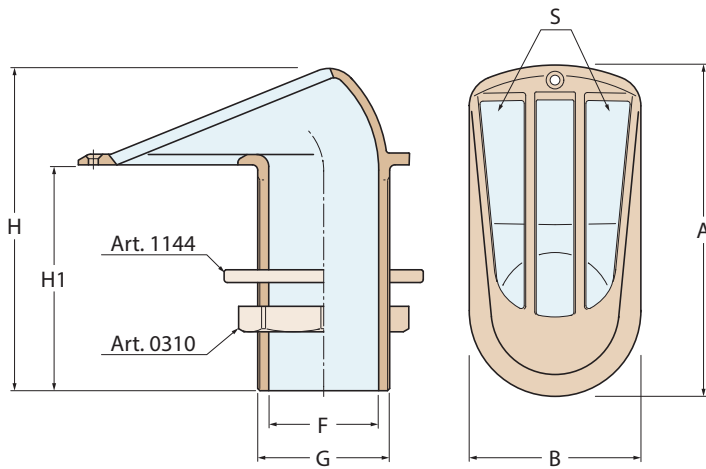
Bronzo
Bronze ■

prese e scarichi a mare water intakes and thru-hulls

1113

Preso a mare serie "2000 export"
Grated water intake "2000 export" series

A2



FILETTATURE / THREAD :
G = ISO 228/1 (BS 2779)



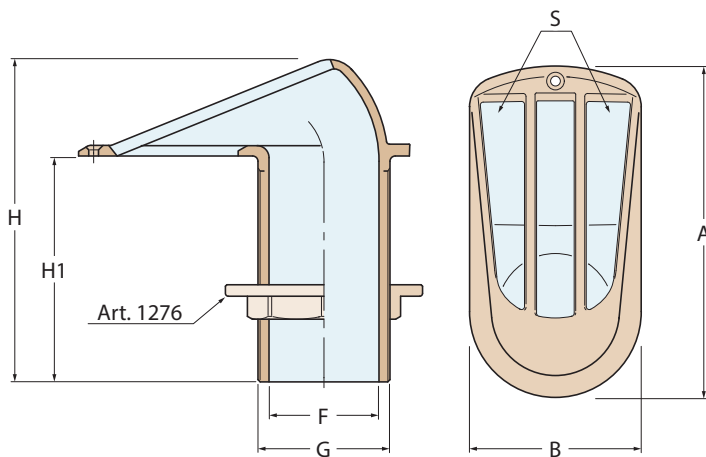
Ottone sabbiato
Yellow brass

1113 ■ ■ ■

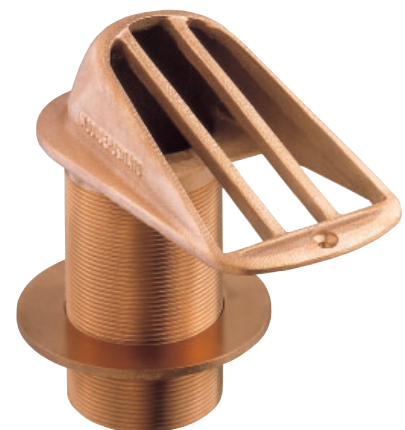
Weight (gr)	2600	3280	5800
S (cm ²)	76.5	101	191
H	189	214	285
H1	130	150	200
F	64	77	101
A	200	220	293
B	100	115	145
G	2"1/2	3"	4"

1113B

Preso a mare serie "2000 export"
Grated water intake "2000 export" series



FILETTATURE / THREAD :
G = ISO 228/1 (BS 2779)



Bronzo
Bronze

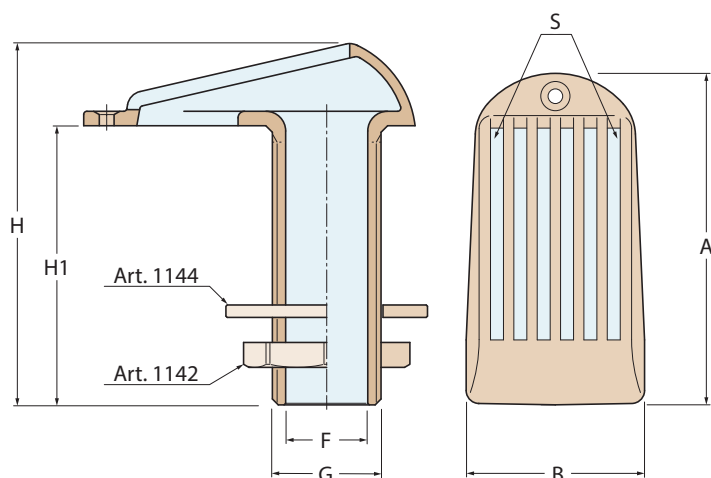
1113B ■ ■ ■ ■ ■ ■ ■

Weight (gr)	565	830	1120	1630	2650	3380	6000
S (cm ²)	12.5	22	28.5	49.2	76.5	101	191
H	121	131	140	157	189	214	285
H1	90	95	100	110	130	150	200
F	25	33	38	49	64	77	101
A	105	125	138	166	200	220	293
B	52	62	69	82	100	115	145
G	1"	1"1/4	1"1/2	2"	2"1/2	3"	4"

prese e scarichi a mare water intakes and thru-hulls

1114

Presca a mare fresata serie "speedy"
Grated water intake "speedy" series



FILETTATURE / THREAD :
G = ISO 228/1 (BS 2779)

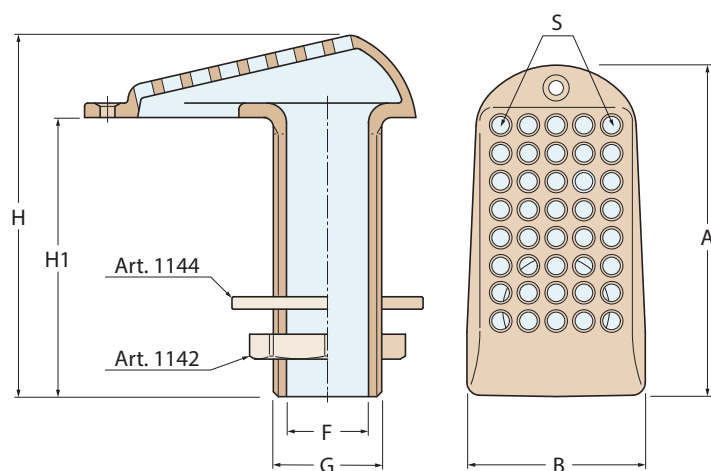
1114	■	■	■	■	■	■	■
Weight (gr)	200	265	375	485	730	1010	1610
S (cm ²)	6.5	9	11	15.5	21	28	39
H	95	101	102	110	116	129	143
H1	75	80	80	85	90	100	110
F	11.5	15	20	25	33	38	49
A	70	78	89	101	118	132	160
B	37	44	48	55	64	73	85
G	3/8"	1/2"	3/4"	1"	1 1/4"	1 1/2"	2"



Ottone sabbato
Yellow brass

1115

Presca a mare forata serie "speedy"
Drilled water intake "speedy" series



FILETTATURE / THREAD :
G = ISO 228/1 (BS 2779)

1115	■	■	■	■	■	■	■
Weight (gr)	195	275	380	490	745	990	1630
S (cm ²)	3.8	5.3	6.7	9.9	15.4	20.7	31.6
H	98	103	103	110	117	129	142
H1	78	80	80	85	90	100	108
F1	5.5	5.5	5.5	6	6	6.5	7
A	70	80	90	102	113	130	161
B	40	45	50	52	64	70	83
G	3/8"	1/2"	3/4"	1"	1 1/4"	1 1/2"	2"



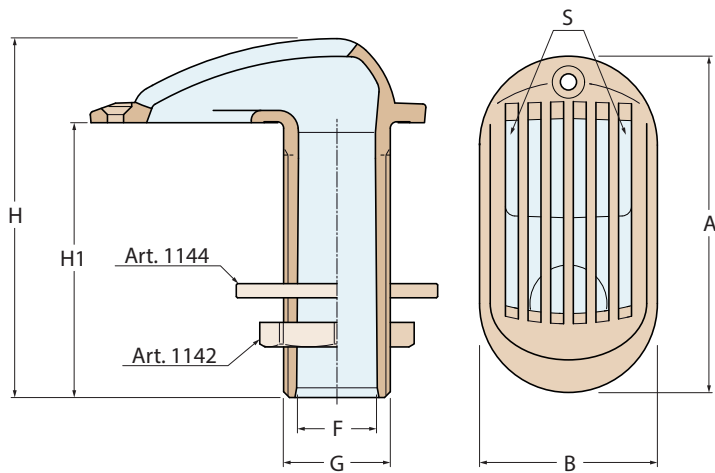
Ottone sabbato
Yellow brass

prese e scarichi a mare water intakes and thru-hulls

1120

Preso a mare fresata
Grated water intake

A2



FILETTATURE / THREAD :
G = ISO 228/1 (BS 2779)

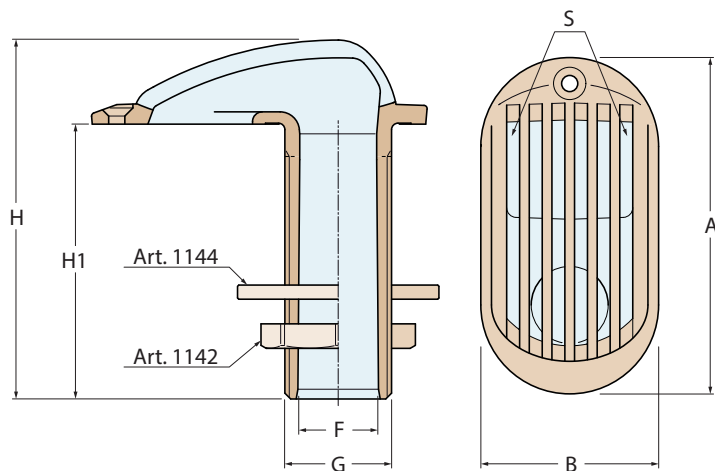


Ottone sabbiato
Yellow brass

1120	■	■	■	■	■	■	■
Weight (gr)	218	305	426	635	917	1177	1706
S (cm ²)	6.2	7	10.6	15	21	25.5	37
H	95	103	104	111	118	129	142
H1	75	80	80	85	90	100	110
F	11.5	15	19	25	33	38.5	49.5
A	74	81	93	104	118	130	154
B	37	40	47	55	64	71	84
G	3/8"	1/2"	3/4"	1"	1 1/4"	1 1/2"	2"

1120F

Preso a mare tutta fresata
Full grated water intake



FILETTATURE / THREAD :
G = ISO 228/1 (BS 2779)



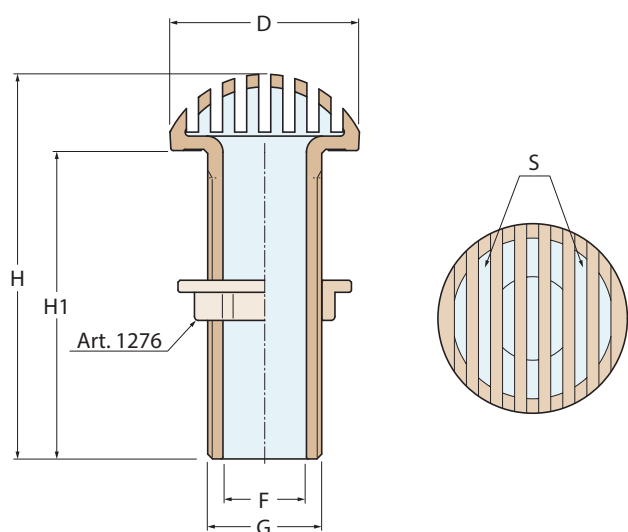
Ottone sabbiato
Yellow brass

1120F	■	■	■	■	■	■	■
Weight (gr)	212	298	413	623	901	1155	1676
S (cm ²)	8.3	9.7	14	20	26	33	46
H	95	103	104	111	118	129	142
H1	75	80	80	85	90	100	110
F	11.5	15	19	25	33	38.5	49.5
A	74	81	93	104	118	130	154
B	37	40	47	55	64	71	84
G	3/8"	1/2"	3/4"	1"	1 1/4"	1 1/2"	2"

prese e scarichi a mare water intakes and thru-hulls

1210

Preso a mare tonda
Round water inlet



FILETTATURE / THREAD :
G = ISO 228/1 (BS 2779)



Bronzo
Bronze

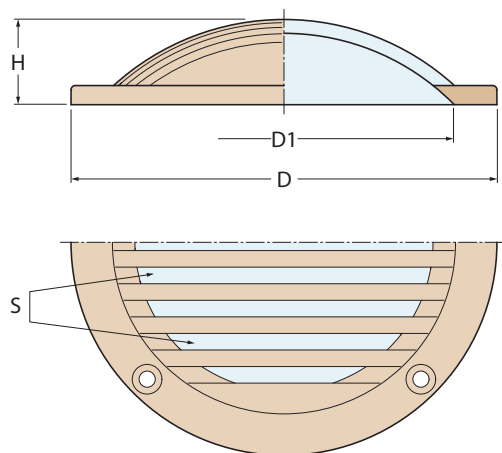
1210	■	■
Weight (gr)	355	525
S (cm ²)	5.0	12.1
H	118	121
H1	100	100
F	19	25
D	51	61
G	3/4"	1"

prese e scarichi a mare water intakes and thru-hulls

1116

Cuffia tonda fresata
Slotted round scoop

A2

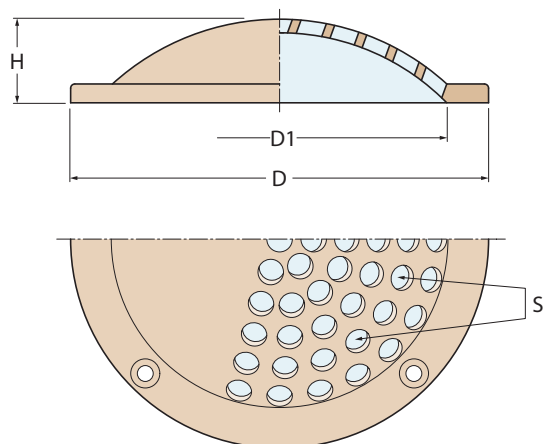


1116	■	■	■	■	■
Weight (gr)	70	145	285	380	550
S (cm ²)	2	6	11	23	36
H	10	15	21	27	35
D1	33	54	73	96	121
Size - D	60	80	100	120	150

Ottone sabbato
Yellow brass

1117

Cuffia tonda forata
Drilled round scoop



1117	■	■	■	■	■
Weight (gr)	65	155	280	390	625
S (cm ²)	2.5	6	13	18	24
H	10	15	21	27	35
D1	33	54	73	96	121
Size - D	60	80	100	120	150

Ottone sabbato
Yellow brass

prese e scarichi a mare water intakes and thru-hulls

1118

Cuffia fresata
Slotted scoop

Fig. 1

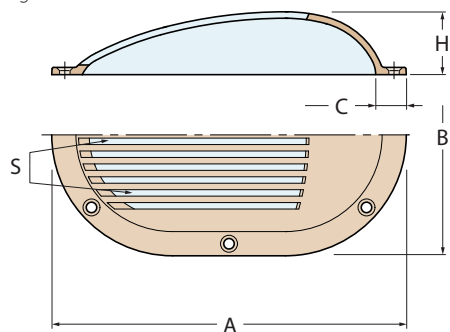
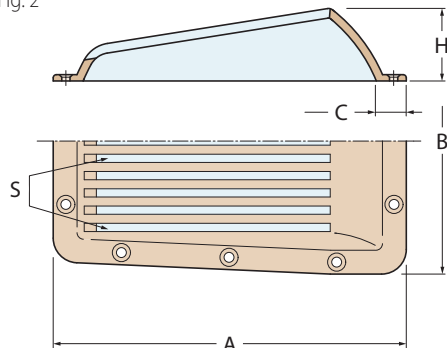


Fig. 2



Ottone sabbato
Yellow brass

1118	■	■	■
Fig.	1	2	2
Weight (gr)	1000	1700	2550
S (cm ²)	57	64	117
C	19	20	20
H	39	45	52
A	220	224	266
B	150	168	200
Ref.	2"1/2	3"	4"

1119

Cuffia forata
Drilled scoop

Fig. 1

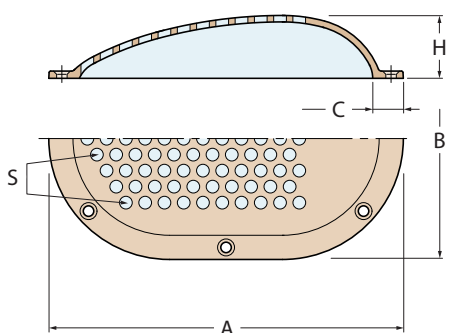
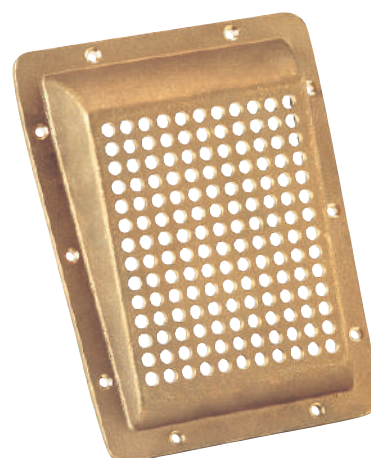
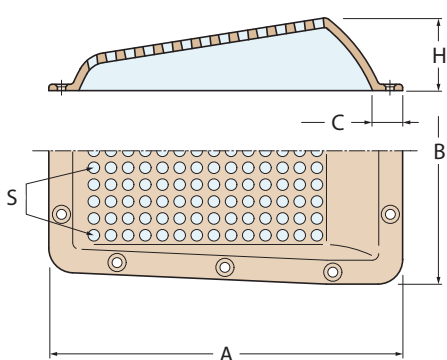


Fig. 2



Ottone sabbato
Yellow brass

1119	■	■
Fig.	1	2
Weight (gr)	1050	1885
S (cm ²)	38	59
C	19	20
H	39	45
A	220	224
B	150	168
Ref.	2"1/2	3"

prese e scarichi a mare water intakes and thru-hulls

1261

Cuffia serie "manta"
Water inlet "manta" series

A2

Fig. 1

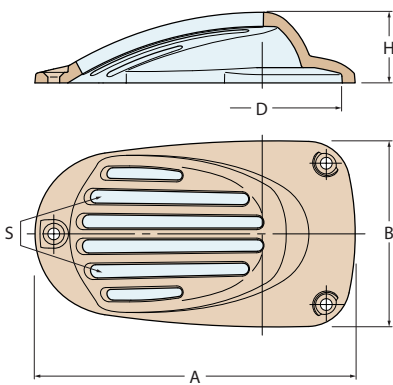
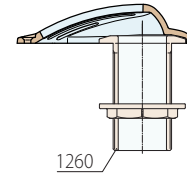
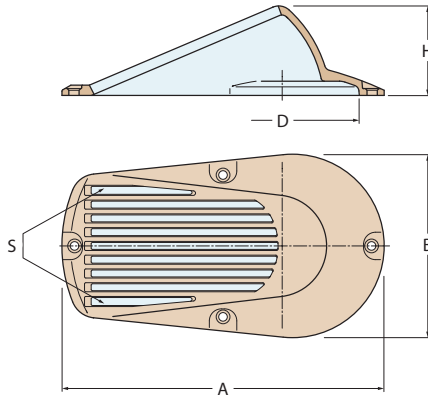


Fig. 2



1261	■	■	■	■	■	■	■	■	■	■	■	■
Weight (gr)	136	200	300	430	565	810	1270	1850	3120	5260	8500	14950
3261	■	■	■	■	■	■	■	■	■	■	■	■
Weight (gr)		90	129	170	243	380	555	936	1578	2550	4485	
Fig.	1	1	1	1	1	1	1	1	1	1	2	2
S (cm ²)	5.8	9.5	11.5	19.3	24.9	36	53	70	119.7	188	273	441.5
D	41	48	58	68	76	90	110	124	152.5	193	228	284
H	20	23	26	30	34	39	46	53	65	80	122	127
B	49	57	68	79	88	102	122	140	174	212	272	332
A	84	102	118	136	154	180	220	255	320	400	480	578
Ref.	1/2"	3/4"	1"	1 1/4"	1 1/2"	2"	2 1/2"	3"	4"	5"	6"	8"

Bronzo
Bronze

3261



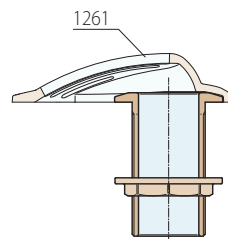
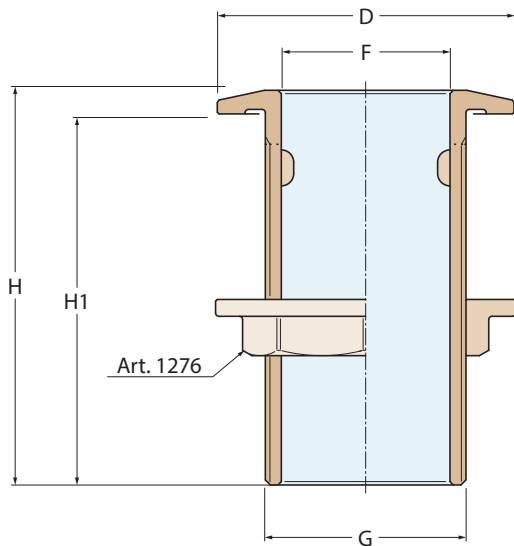
Alluminio anodizzato nero
Solo su richiesta speciale
Black anodized aluminium
Upon special request only

1260

Scarico a mare
Thru-hull connection

Omologato RINA
RINA validated

Conforme alla norma
Compliant with
UNI EN ISO 9093-1



* M216x3.5
FILETTATURE / THREAD :
G = ISO 228/1 (BS 2779)

1260	■	■	■	■	■	■	■	■	■	■	■	■	
Weight (gr)	90	170	250	360	610	755	1040	1860	2650	4480	9050	10900	18400
3260	■	■	■	■	■	■	■	■	■	■	■	■	■
Weight (gr)			108	183	227	312	558	795	1344	2715	3270	5520	
H	64	70	75	85	91	96	107	128	158	209	260	262	312
D	28	40	47	57	67	75	88	108	122	150	190	225	280
H1	60	65	70	80	85	90	100	120	150	200	250	250	300
F	11	13	19	25	32	38	50	63	76	100	120	150	200
G	3/8"	1/2"	3/4"	1"	1 1/4"	1 1/2"	2"	2 1/2"	3"	4"	5"	6"	(8")*

Bronzo
Bronze

3260



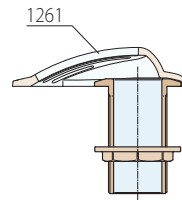
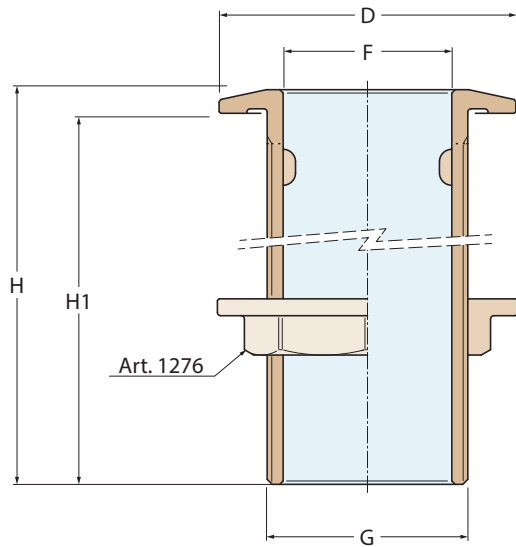
Alluminio anodizzato nero
Solo su richiesta speciale
Black anodized aluminium
Upon special request only

prese e scarichi a mare water intakes and thru-hulls

1260A

Scarico a mare serie "L"
Thru-hull connection "L" series

Omologato RINA
RINA validated



FILETTATURE / THREAD :
G = ISO 228/1 (BS 2779)

1260A	■	■	■	■	■	■	■
Weight (gr)	780	1100	1360	1980	3020	3900	
H	206	207	207	208	238	239	
D	57	67	75	88	108	122	
H1	200	200	200	200	230	230	
F	25	32	38	50	63	76	
G	3/4"	1"	1"1/4	1"1/2	2"	2"1/2	3"



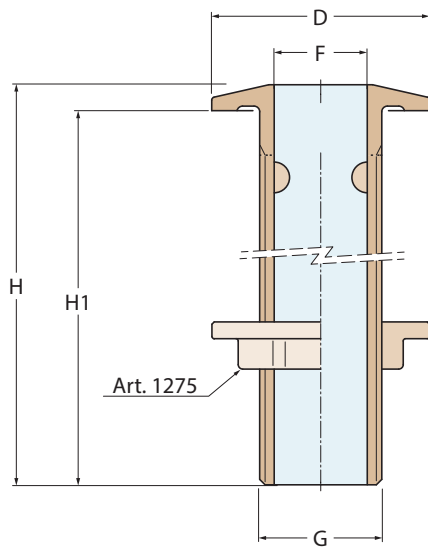
Bronzo
Bronze

1270

Scarico a mare serie "L"
Thru-hull connection "L" series

Omologato RINA
RINA validated

Conforme alla norma
Compliant with
UNI EN ISO 9093-1



FILETTATURE / THREAD :
G = ISO 228/1 (BS 2779)

1270	■	■	■	■	■	■	■
Weight (gr)	380	840	1190	1520	2200	3210	4100
H	185	206	207	207	208	238	239
D	47	65	75	85	100	120	130
H1	180	200	200	200	200	230	230
F	19	24	32	37	48	63	75
Ref.	3/4"	1"	1"1/4	1"1/2	2"	2"1/2	3"



Bronzo
Bronze

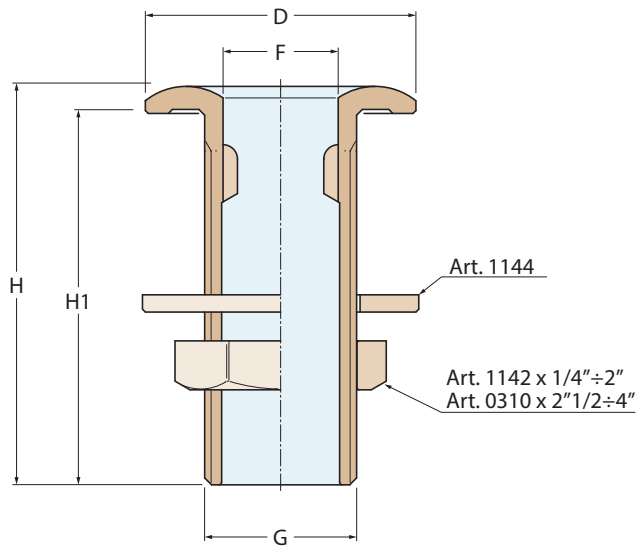
prese e scarichi a mare water intakes and thru-hulls

1121

Scarico a mare
Thru-hull connection

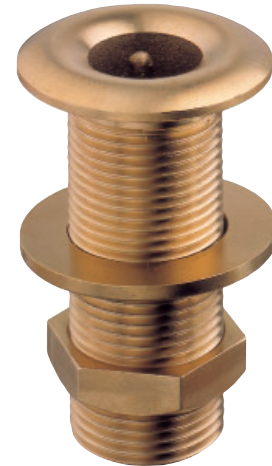
Omologato RINA
RINA validated

Conforme alla norma
Compliant with
UNI EN ISO 9093-1



FILETTATURE / THREAD :
G = ISO 228/1 (BS 2779)

1121	40	85	125	205	350	470	650	990	1950	2560	4300
Weight (gr)	40	85	125	205	350	470	650	990	1950	2560	4300
H	53	55	65	70	85	86	96	107	130	158	209
H1	49	50	60	65	80	80	90	100	122	150	200
F	8	12	15	20	25	33	39	50	63	76	100
D	22	32	36	47	54	63	70	85	110	123	150
G	1/4"	3/8"	1/2"	3/4"	1"	1 1/4"	1 1/2"	2"	2 1/2"	3"	4"



Ottone sabbiato
Yellow brass

1121C

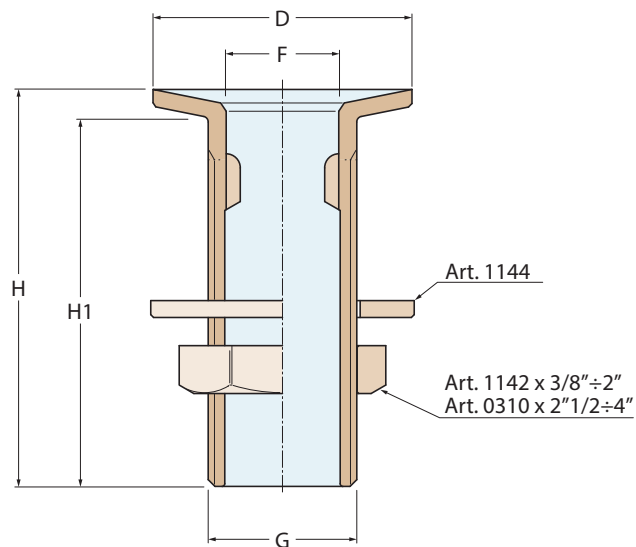


Ottone cromato
Chromium-plated brass

1122

Scarico a mare a pozzetto
Thru-hull connection well pattern

Omologato RINA
RINA validated



FILETTATURE / THREAD :
G = ISO 228/1 (BS 2779)

1122	75	115	190	335	445	580	880	1840	2530	4120
Weight (gr)	75	115	190	335	445	580	880	1840	2530	4120
H	55	65	70	85	86	95	107	128	157	207
H1	50	60	65	80	80	90	100	122	148	200
F	12	15	20	25	33	39	50	63	76	100
D	30	35	45	53	62	69	82	108	118	150
G	3/8"	1/2"	3/4"	1"	1 1/4"	1 1/2"	2"	2 1/2"	3"	4"



Ottone sabbiato
Yellow brass

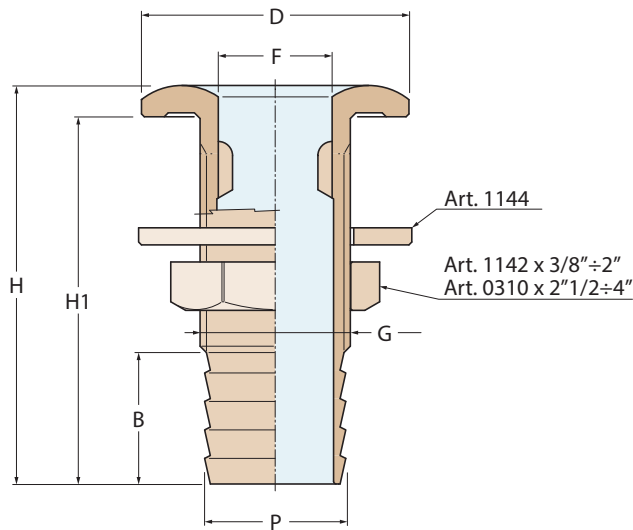
1122C



Ottone cromato
Chromium-plated brass

prese e scarichi a mare water intakes and thru-hulls

1123



Scarico a mare con portagomma
Thru-hull connection with hose adaptor

Omologato RINA
RINA validated

Conforme alla norma
Compliant with
UNI EN ISO 9093-1



Ottone sabbaiato
Yellow brass

1123C

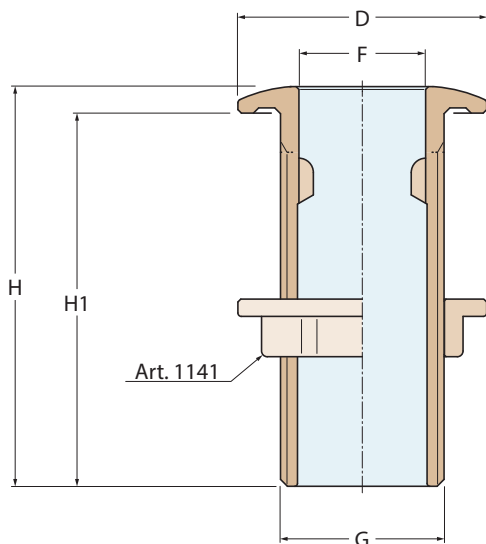


Ottone cromato
Chromium-plated brass

FILETTATURE / THREAD :
G = ISO 228/1 (BS 2779)

1123	■	■	■	■	■	■	■	■	■	■
1123C	■	■	■	■	■	■	■	■	■	■
Weight (gr)	80	110	190	320	435	620	950	1860	2300	4000
H	55	65	70	85	86	96	107	130	158	209
H1	50	60	65	80	80	90	100	122	150	200
F	12	15	20	25	33	39	50	63	76	100
D	32	36	46	54	63	70	85	110	123	150
B	18	22	22	27	27	27	33	38	48	60
P	15	18	24	30	39	45	57	72	82	110
G	3/8"	1/2"	3/4"	1"	1"1/4	1"1/2	2"	2"1/2	3"	4"

1255



Scarico a mare serie "export" normale
Thru-hull connection "export" normal series

Omologato RINA
RINA validated

Conforme alla norma
Compliant with
UNI EN ISO 9093-1



Ottone sabbaiato
Yellow brass

1255C



Ottone cromato
Chromium-plated brass

FILETTATURE / THREAD :
G = ISO 228/1 (BS 2779)

1255	■	■	■	■	■	■	■
1255C	■	■	■	■	■	■	■
Weight (gr)	60	100	160	255	345	450	640
H	54	65	70	75	75	76	76
D	30	35	42	50	60	66	82
H1	50	61	65	70	70	70	70
F	12	15	20	25	34	39	50
G	3/8"	1/2"	3/4"	1"	1"1/4	1"1/2	2"

prese e scarichi a mare water intakes and thru-hulls

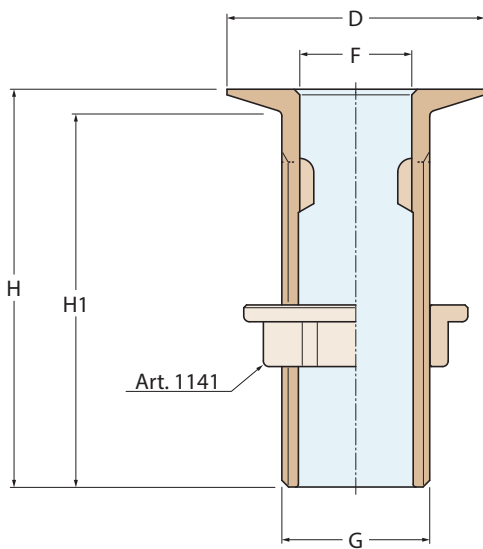
1265

A2

Scarico a mare serie "export" speciale Thru-hull connection "export" special series

Omologato RINA
RINA validated

Conforme alla norma
Compliant with
UNI EN ISO 9093-1



FILETTATURE / THREAD :
G = ISO 228/1 (BS 2779)

1265	■	■	■	■	■	■	■
1265C	■	■	■	■	■	■	■
Weight (gr)	55	100	160	235	345	455	675
H	54	65	71	76	75	76	80
D	30	35	50	59	60	66	82
H1	50	61	67	72	70	71	75
F	12	15	20	25	33	39	50
G	3/8"	1/2"	3/4"	1"	1"1/4	1"1/2	2"



Ottone sabbiato ■
Yellow brass

1265C

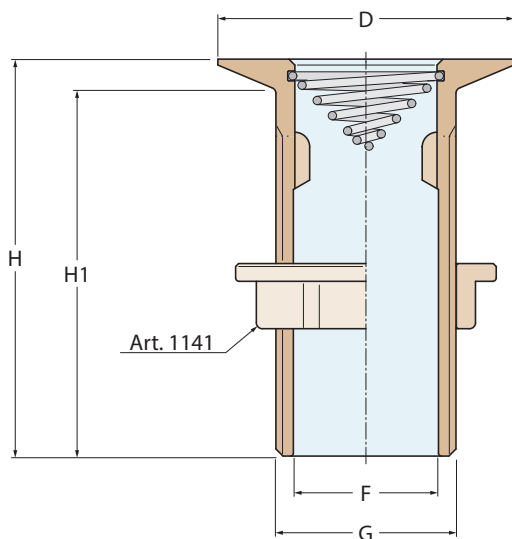


Ottone cromato ■
Chromium-plated brass

1266

Scarico a mare "export" con griglia Thru-hull connection "export" with spiral spring

Conforme alla norma
Compliant with
UNI EN ISO 9093-1



FILETTATURE / THREAD :
G = ISO 228/1 (BS 2779)

1266	■	■	■	■	■	■
Weight (gr)	102	160	260	360	440	690
H	65	71	76	75	76	80
D	35	50	59	60	66	82
H1	61	67	72	70	71	75
F	15	20	25	33	39	50
G	1/2"	3/4"	1"	1"1/4	1"1/2	2"



Ottone sabbiato ■
Yellow brass

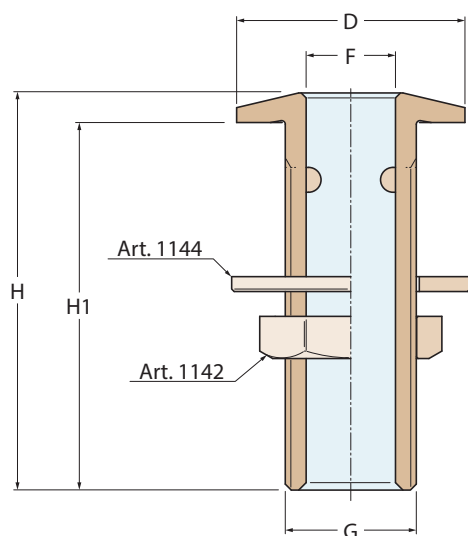
prese e scarichi a mare water intakes and thru-hulls

1147

Scarico a mare serie "export" - h100
Thru-hull connection "export" series - h100

Omologato RINA
RINA validated

Conforme alla norma
Compliant with
UNI EN ISO 9093-1



Ottone sabbiato
Yellow brass

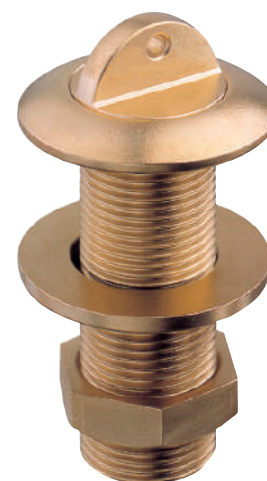
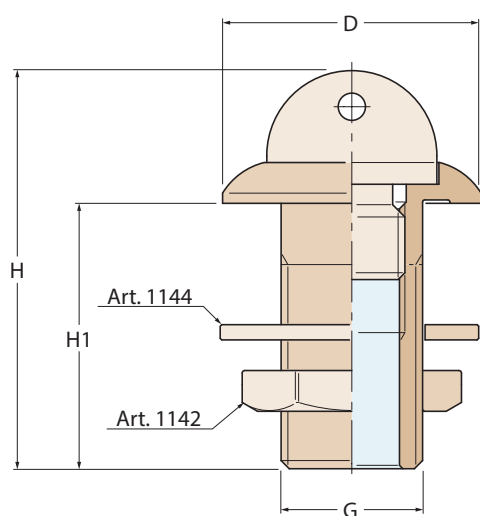
FILETTATURE / THREAD :
G = ISO 228/1 (BS 2779)

1147	■	■	■	■	■	■
Weight (gr)	220	320	420	570	760	960
H	105	105	106	106	106	107
H1	100	100	100	100	100	100
D	45	50	56	70	74	85
F	14	18	24	33	37	50
G	1/2"	3/4"	1"	1"1/4	1"1/2	2"

1195

Scarico alaggio
Thru-bilge outlet


Conforme alla norma
Compliant with
UNI EN ISO 9093-1



Ottone sabbiato
Yellow brass

FILETTATURE / THREAD :
G = ISO 228/1 (BS 2779)

1195	■	■
Weight (gr)	150	280
H	58	86
H1	40	66
D	38	48
G	1/2"	3/4"



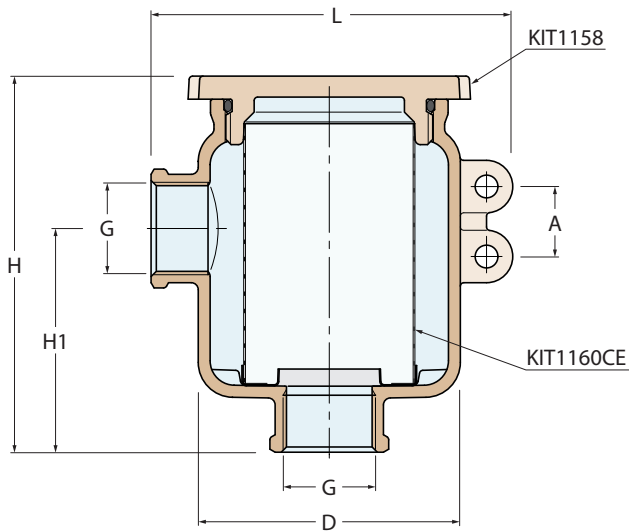
nautica
marine equipment

filtri water strainers



Filtro depurazione acqua serie "Tirreno" con coperchio in metallo
Water strainer "Tirreno" series with metal cover

Filtro omologato RINA MAC
RINA MAC certificate



ottone d'zr

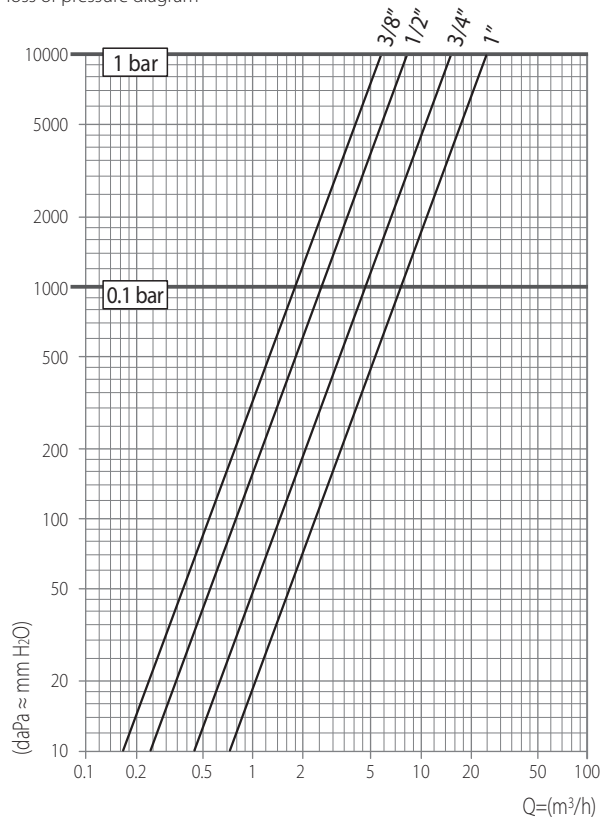
FILETTATURE / THREAD :
G = ISO 228/1 (BS 2779)

1158				
Weight (gr)	1100	1080	1050	1150
A	20	20	20	30
L	104	104	104	106
H1	64	64	64	85
H	108	108	108	136
D	75	75	75	75
G	3/8"	1/2"	3/4"	1"

Ottone nichelato
Nickel-plated brass



Diagramma portate - perdite di carico
Flow rate - loss of pressure diagram



Corpo in ottone nichelato
Nickel-plated brass casing

Elemento filtrante in acciaio inox AISI 316L
AISI 316L stainless steel inside filter

Coperchio in ottone nichelato
Nickel-plated brass cover

Guarnizioni in neoprene
Neoprene o-ring

G	0.1 bar	1 bar
3/8"	1800	5750
1/2"	2550	8180
3/4"	4750	15160
1"	7500	23800

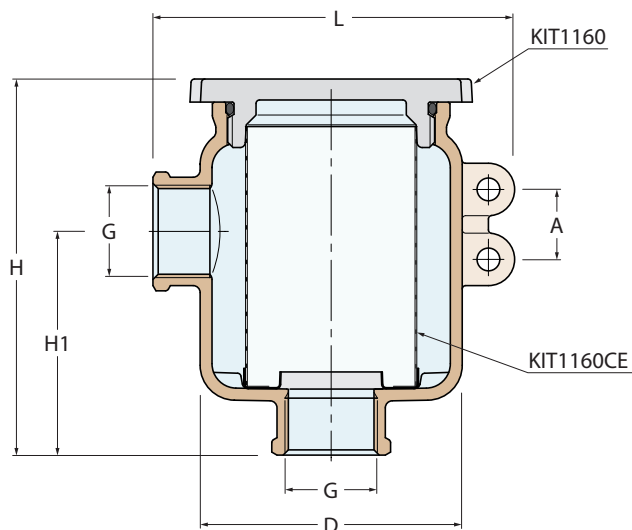
Portate di acqua attraverso il filtro pulito - lt/h
Flow-rate capacity through the clean filter - lt/h

Filtro depurazione acqua serie "Tirreno" con coperchio grilamid tr55 trasparente

Water strainer "Tirreno" series with grilamid tr55 see-thru cover

Filtro omologato RINA DIP
RINA DIP certificate

A3



FILETTATURE / THREAD :
G = ISO 228/1 (BS 2779)

1160					ottone dZR
Weight (gr)	870	840	800	915	
1160B					
Weight (gr)	960	930	1110		
A	20	20	20	30	
L	104	104	104	106	
H1	64	64	64	85	
H	108	108	108	136	
D	75	75	75	75	
G	3/8"	1/2"	3/4"	1"	



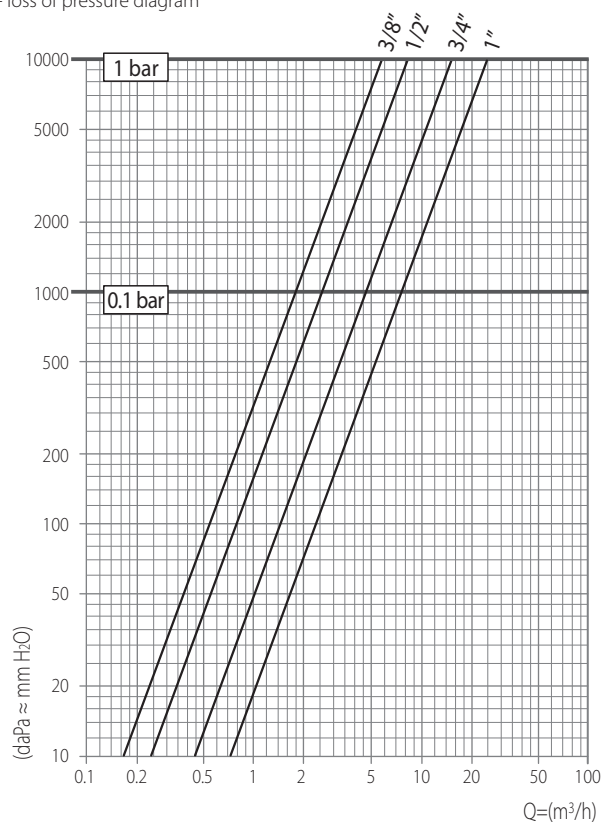
Ottone nichelato
Nickel-plated brass

1160B



Bronzo nichelato
Nickel-plated bronze

Diagramma portate - perdite di carico
Flow rate - loss of pressure diagram



Corpo in ottone nichelato
Nickel-plated brass casing

Elemento filtrante in acciaio inox AISI 316L
AISI 316L stainless steel inside filter

Coperchio in GRILAMID TR55 trasparente
Transparent GRILAMID TR55 cover

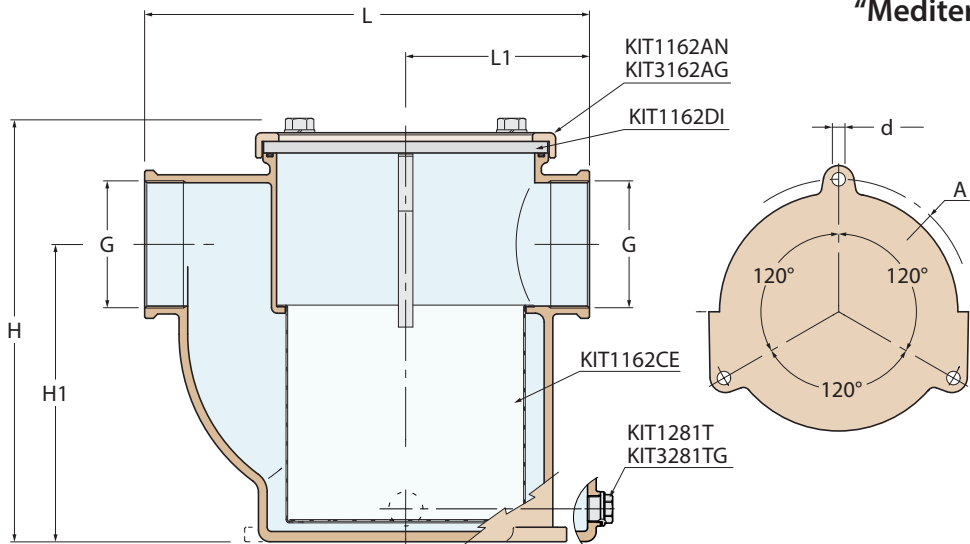
Guarnizioni in neoprene
Neoprene o-ring

G	0.1 bar	1 bar
3/8"	1800	5750
1/2"	2550	8180
3/4"	4750	15160
1"	7500	23800

Portate di acqua attraverso il filtro pulito - lt/h
Flow-rate capacity through the clean filter - lt/h

Filtro depurazione acqua serie "Mediterraneo" con disco in policarbonato
Water strainer "Mediterraneo" series with polycarbonate cover

Filtro omologato RINA DIP
RINA DIP certificate



Bronzo nichelato
Nickel-plated bronze

FILETTATURE / THREAD :
G = ISO 228/1 (BS 2779)

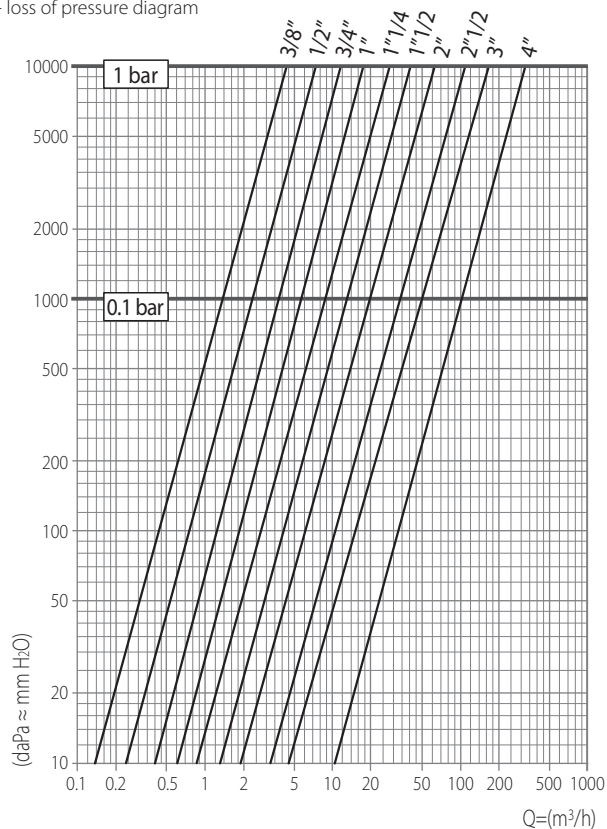
1162	1820	1800	3800	3700	4600	5500	7800	11000	15800	21200
Weight (gr)	1820	1800	3800	3700	4600	5500	7800	11000	15800	21200
3162										
Weight (gr)			1320	1280	1520	1860	2670	3750	5330	7200
d	5	5	6.5	6.5	6.5	6.5	8.5	8.5	8.5	8.5
A	94	94	135	135	150	155	180	180	225	231
H	117	117	151	151	176	193	216	284	292	355
H1	82	82	106	106	122	135	149	210	205	256
L1	53	53	77	77	83	88	104	109	131	145
L	122	122	169	169	184	202	242	260	309	340
G	3/8"	1/2"	3/4"	1"	1"1/4	1"1/2	2"	2"1/2	3"	4"

3162



Alluminio anodizzato nero
Solo su richiesta speciale
Black anodized aluminium
Upon special request only

Diagramma portate - perdite di carico
Flow rate - loss of pressure diagram



Corpo in bronzo nichelato / Alluminio anodizzato nero
Nickel-plated bronze / Black anodized aluminium casing

Elemento filtrante in acciaio inox AISI 316L
AISI 316L stainless steel inside filter

Disco in policarbonato trasparente
Transparent polycarbonate cover

Guarnizioni in neoprene
Neoprene o-ring

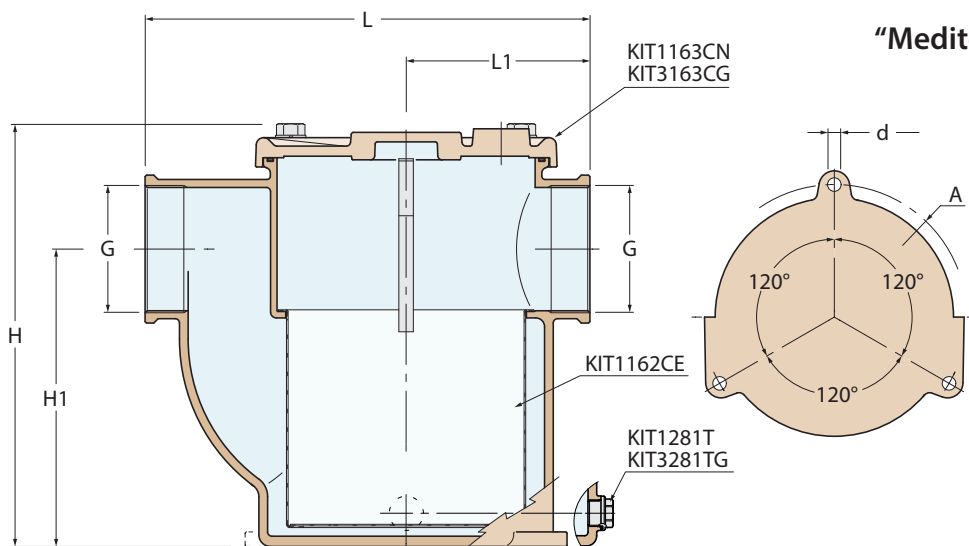
G	0.1 bar	1 bar
3/8"	1400	4300
1/2"	2400	7500
3/4"	3800	12000
1"	5700	17900
1"1/4	8800	27700
1"1/2	12800	40600
2"	19900	63000
2"1/2	33900	107300
3"	50000	166730
4"	103000	326000

Portate di acqua attraverso il filtro pulito - lt/h
Flow-rate capacity through the clean filter - lt/h

Filtro depurazione acqua serie "Mediterraneo" con coperchio in metallo
Water strainer "Mediterraneo" series with metal cover

Filtro omologato RINA MAC
RINA MAC certificate

A3



FILETTATURE / THREAD :
G = ISO 228/1 (BS 2779)

1163	1870	1850	4000	3900	5000	6000	8200	11500	16500	22400
Weight (gr)	1870	1850	4000	3900	5000	6000	8200	11500	16500	22400
3163										
Weight (gr)			1300	1260	1520	1890	2670	3750	5380	7250
d	5	5	6.5	6.5	6.5	6.5	8.5	8.5	8.5	8.5
A	94	94	135	135	150	155	180	180	225	231
H	117	117	151	151	176	193	216	284	292	355
H1	82	82	106	106	122	135	149	210	205	256
L1	53	53	77	77	83	88	104	109	131	145
L	122	122	169	169	184	202	242	260	309	340
G	3/8"	1/2"	3/4"	1"	1"1/4	1"1/2	2"	2"1/2	3"	4"

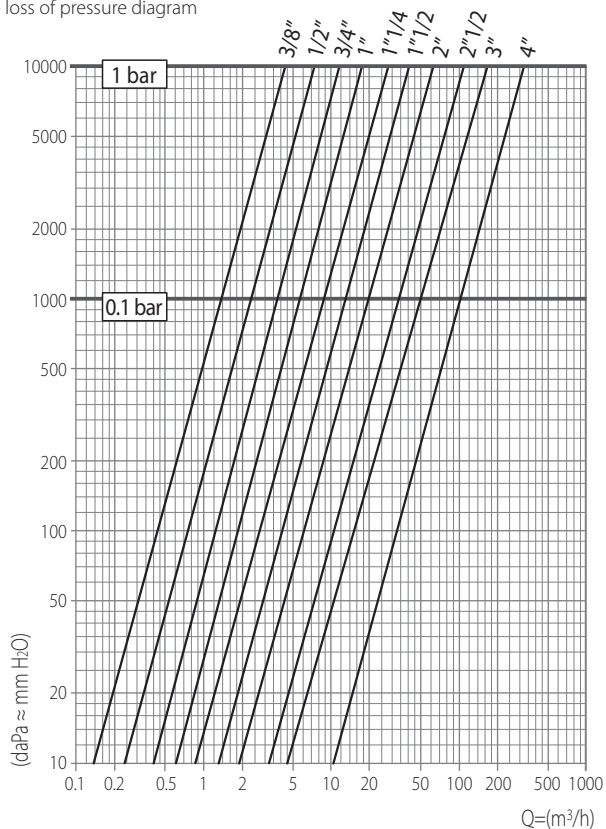
Bronzo nichelato
Nickel-plated bronze

3163



Alluminio anodizzato nero
Solo su richiesta speciale
Black anodized aluminium
Upon special request only

Diagramma portate - perdite di carico
Flow rate - loss of pressure diagram



Corpo in bronzo nichelato / Alluminio anodizzato nero
Nickel-plated bronze / Black anodized aluminium casing

Elemento filtrante in acciaio inox AISI 316L
AISI 316L stainless steel inside filter

Coperchio in bronzo nichelato / Alluminio anodizzato nero
Nickel-plated bronze / Black anodized aluminium cover

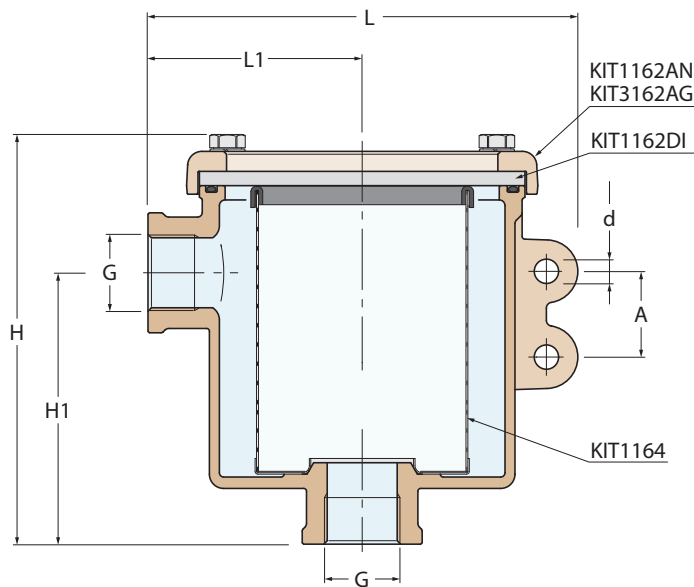
Guarnizioni in neoprene
Neoprene o-ring

G	0.1 bar	1 bar
3/8"	1400	4300
1/2"	2400	7500
3/4"	3800	12000
1"	5700	17900
1"1/4	8800	27700
1"1/2	12800	40600
2"	19900	63000
2"1/2	33900	107300
3"	50000	166730
4"	103000	326000

Portate di acqua attraverso il filtro pulito - lt/h
Flow-rate capacity through the clean filter - lt/h

Filtro depurazione acqua serie "Ionio" con disco in policarbonato
Water strainer "Ionio" series with polycarbonate cover

Filtro omologato RINA DIP
RINA DIP certificate



FILETTATURE / THREAD :
G = ISO 228/1 (BS 2779)

1164	3/4"	1"	1 1/4"	1 1/2"	2"	2 1/2"	3"	4"
Weight (gr)	2800	2700	3400	4000	6200	9000	9600	14600
3164	3/4"	1"	1 1/4"	1 1/2"	2"	2 1/2"	3"	4"
Weight (gr)	970	930	1170	1380	2100	3280	3550	4800
d	8.5	8.5	8.5	8.5	10	11	11	11
A	30	30	40	40	50	60	80	100
H	145	145	168	178	215	243	276	326
H1	94	94	106	111	135	150	177	211
L1	75	75	85	91	106	126	129	142
L	151	151	167	180	213	252	255	277
G	3/4"	1"	1 1/4"	1 1/2"	2"	2 1/2"	3"	4"



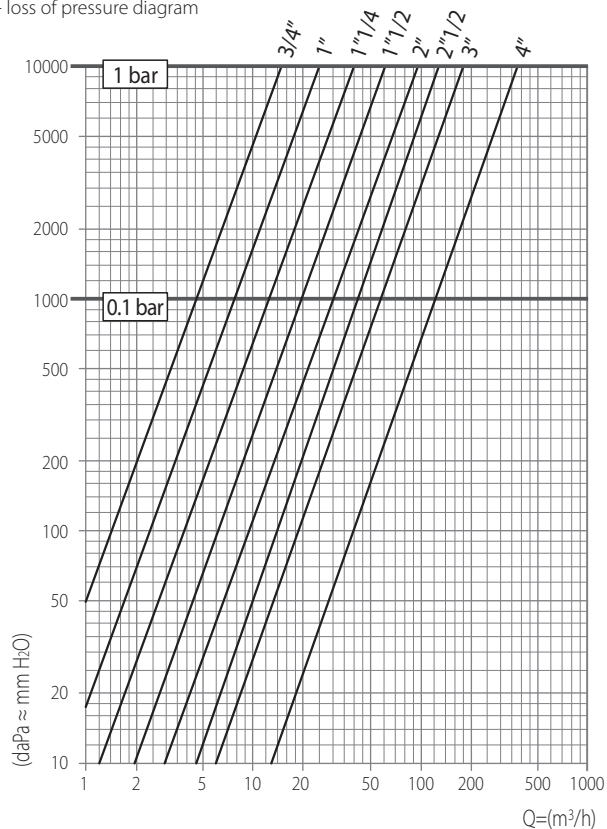
Bronzo nichelato
Nickel-plated bronze

3164



Alluminio anodizzato nero
Solo su richiesta speciale
Black anodized aluminium
Upon special request only

Diagramma portate - perdite di carico
Flow rate - loss of pressure diagram



Corpo in bronzo nichelato / Alluminio anodizzato nero
Nickel-plated bronze / Black anodized aluminium casing

Elemento filtrante in acciaio inox AISI 316L
AISI 316L stainless steel inside filter

Disco in policarbonato trasparente
Transparent polycarbonate cover

Guarnizioni in neoprene
Neoprene o-ring

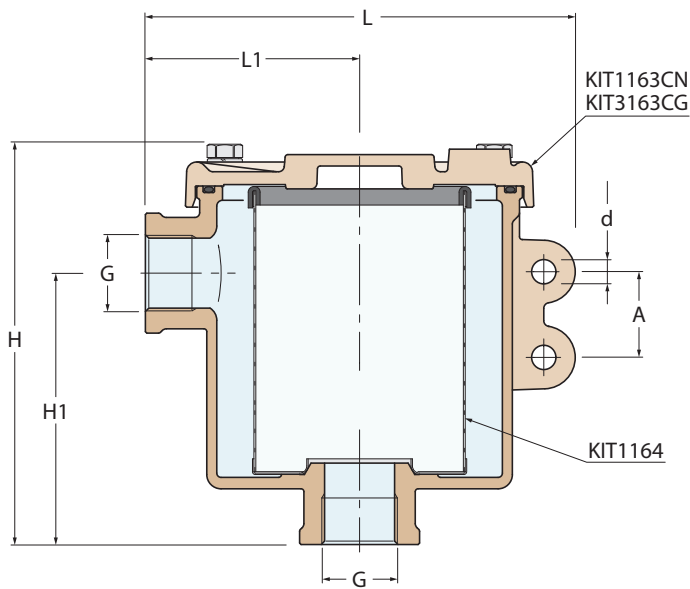
G	0.1 bar	1 bar
3/4"	4650	14900
1"	7950	25500
1 1/4"	12100	38200
1 1/2"	19100	61250
2"	30000	96200
2 1/2"	42600	134000
3"	58400	184000
4"	123000	390000

Portate di acqua attraverso il filtro pulito - lt/h
Flow-rate capacity through the clean filter - lt/h

Filtro depurazione acqua serie "Ionio"
con coperchio in metallo
 Water strainer "Ionio" series
 with metal cover

Filtro omologato RINA MAC
 RINA MAC certificate

A3



FILETTATURE / THREAD :
 G = ISO 228/1 (BS 2779)



Bronzo nichelato
 Nickel-plated bronze

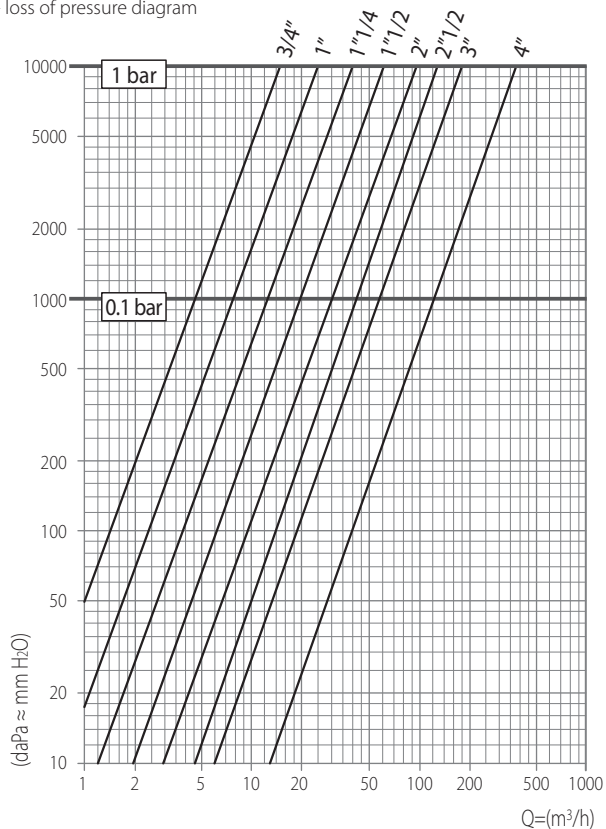
3166



Alluminio anodizzato nero
 Solo su richiesta speciale
 Black anodized aluminium
 Upon special request only

	3/4"	1"	1 1/4"	1 1/2"	2"	2 1/2"	3"	4"
1166	■	■	■	■	■	■	■	■
Weight (gr)	2900	2800	3600	4400	6700	10200	10800	15800
3166	■	■	■	■	■	■	■	■
Weight (gr)	1000	970	1250	1500	2100	3280	3600	4850
d	8.5	8.5	8.5	8.5	10	11	11	11
A	30	30	40	40	50	60	80	100
H	143	143	165	176	215	243	276	326
H1	94	94	106	111	135	150	177	211
L1	75	75	85	91	106	126	129	142
L	151	151	167	180	213	252	255	277
G	3/4"	1"	1 1/4"	1 1/2"	2"	2 1/2"	3"	4"

Diagramma portate - perdite di carico
 Flow rate - loss of pressure diagram



Corpo in bronzo nichelato / Alluminio anodizzato nero
 Nickel-plated bronze / Black anodized aluminium casing

Elemento filtrante in acciaio inox AISI 316L
 AISI 316L stainless steel inside filter

Coperchio in bronzo nichelato / Alluminio anodizzato nero
 Nickel-plated bronze / Black anodized aluminium cover

Guarnizioni in neoprene
 Neoprene o-ring

G	0.1 bar	1 bar
3/4"	4650	14900
1"	7950	25500
1 1/4"	12100	38200
1 1/2"	19100	61250
2"	30000	96200
2 1/2"	42600	134000
3"	58400	184000
4"	123000	390000

Portate di acqua attraverso il filtro pulito - lt/h
 Flow-rate capacity through the clean filter - lt/h

Filtro depurazione acqua con flange PN6/PN16
Horizontal intake water strainer with PN6/PN16 flanges

Filtro omologato RINA MAC
RINA MAC certificate

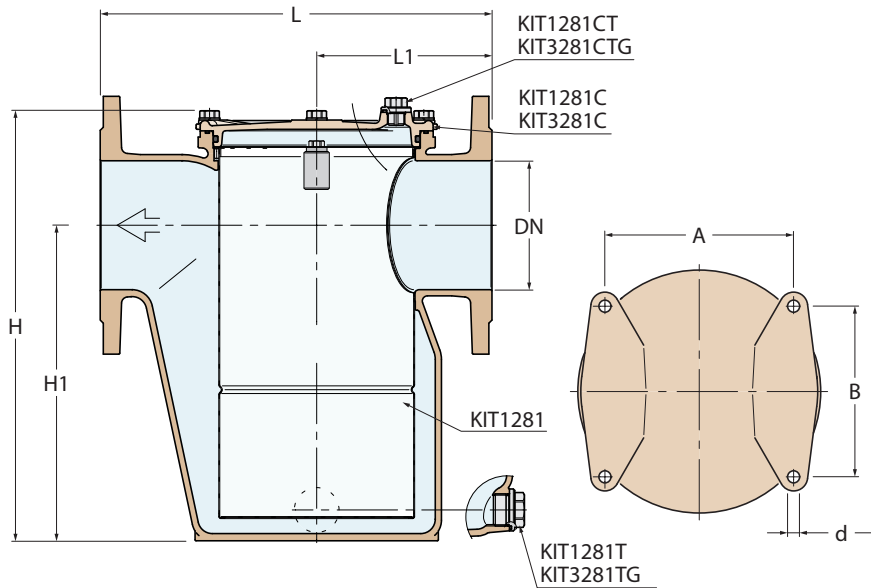


Tabella flange a pag. 195
Flange table on page 195

* Con flangia PN16
With flange PN16

1281	10900	14500	21000	26000	39000	50000	80000	138500
Weight (gr)*	10900	14500	21000	26000	39000	50000	80000	138500
3281	3750	4950	7150	8840	13260	17000	27200	47100
Weight (gr)*	3750	4950	7150	8840	13260	17000	27200	47100
d	8.5	8.5	8.5	8.5	8.5	8.5	10.5	10.5
A	108	122	142	166	188	214	260	320
B	108	122	132	150	170	210	240	280
H	225	273	302	350	430	468	575	685
H1	147	184.5	205	243	306	325.5	400	485
L1	102	117	130	150	170	190	215	255
L	225	260	290	338	380	425	500	600
DN	50	65	80	100	125	150	200	250



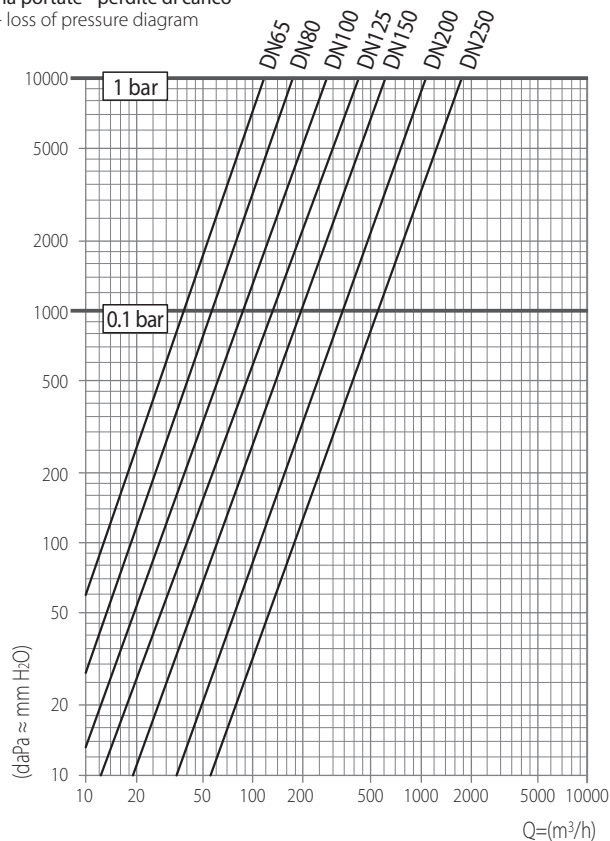
Bronzo
Bronze

3281



Alluminio anodizzato nero
Solo su richiesta speciale
Black anodized aluminium
Upon special request only

Diagramma portate - perdite di carico
Flow rate - loss of pressure diagram



Corpo in bronzo / Alluminio anodizzato nero
Bronze / Black anodized aluminium casing

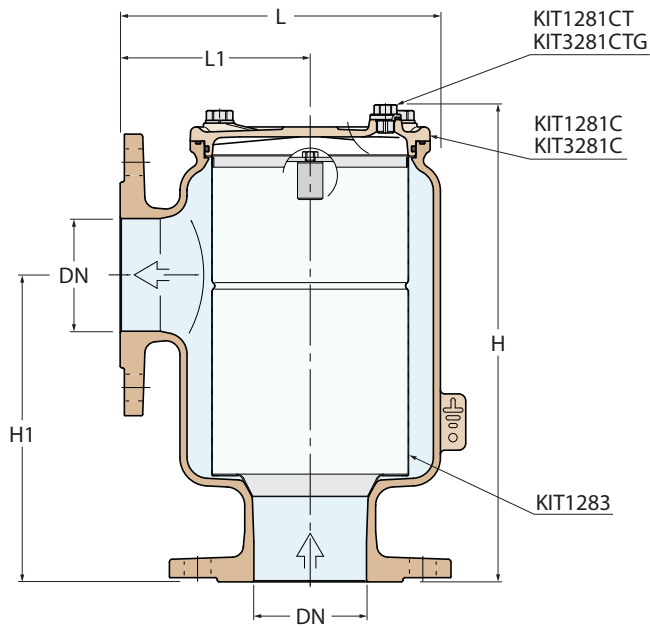
Elemento filtrante in acciaio inox AISI 316L
AISI 316L stainless steel inside filter

Coperchio in bronzo / Alluminio anodizzato nero
Bronze / Black anodized aluminium cover

Guarnizioni in neoprene
Neoprene o-ring

DN	0.1 bar	1 bar
65	37000	117000
80	56100	177200
100	88000	277000
125	136800	432700
150	197000	623000
200	350000	1108000
250	564500	1786000

Portate di acqua attraverso il filtro pulito - lt/h
Flow-rate capacity through the clean filter - lt/h



Filtro depurazione acqua a squadra con flange PN6/PN16
Vertical intake water strainer with PN6/PN16 flanges

Filtro omologato RINA MAC
RINA MAC certificate

A3



Tabella flange a pag. 195
Flange table on page 195

* Con flangia PN16
With flange PN16

1283	10500	13700	16400	23800	32600	45000	63000	95000
Weight (gr)*	10500	13700	16400	23800	32600	45000	63000	95000
3283	3600	4900	5800	7600	10300	14200	19900	30000
Weight (gr)*	3600	4900	5800	7600	10300	14200	19900	30000
H	275	324	347	375	453	505	570	660
H1	170	200	218	250	300	342	370	430
L1	110	125	135	155	175	200	232	278
L	183	227	245	278	314	362	421	501
DN	50	65	80	100	125	150	200	250

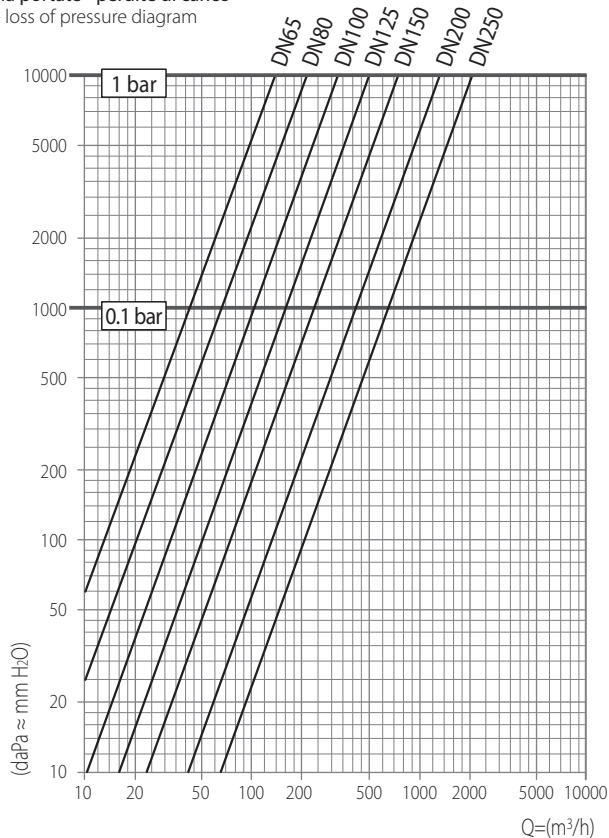
Bronzo
Bronze

3283



Alluminio anodizzato nero
Solo su richiesta speciale
Black anodized aluminium
Upon special request only

Diagramma portate - perdite di carico
Flow rate - loss of pressure diagram



Corpo in bronzo / Alluminio anodizzato nero
Bronze / Black anodized aluminium casing

Elemento filtrante in acciaio inox AISI 316L
AISI 316L stainless steel inside filter

Coperchio in bronzo / Alluminio anodizzato nero
Bronze / Black anodized aluminium cover

Guarnizioni in neoprene
Neoprene o-ring

DN	0.1 bar	1 bar
65	43500	139000
80	66800	210000
100	104000	328000
125	160000	507000
150	231000	730000
200	410000	1298000
250	641000	2028000

Portate di acqua attraverso il filtro pulito - lt/h
Flow-rate capacity through the clean filter - lt/h

A richiesta disponibile per i nostri filtri (1162, 1163, 1164, 1166, 1281, 1283) la predisposizione per il:
Available on request for our strainers (1162, 1163, 1164, 1166, 1281, 1283) the predisposition for:

KIT ANTI-FOULING



Il kit consente di eliminare, all'interno del circuito acqua-mare delle barche, il problema della formazione di incrostazioni causate dal fouling marino presente nell'acqua di mare.

Il kit di Tecnoseal-Guidi consiste in:

- centralina di controllo (control unit)
- anodo
- filtro

ed è in grado di prevenire la formazione del fouling:

l'alimentatore crea una reazione elettrolitica che discioglie gli anodi (in rame, alluminio o ferro) installati all'interno del filtro.

La dissoluzione dell'anodo nell'acqua del circuito impedisce la crescita del fouling, eliminando il rischio di bioincrostazioni marine: l'unità di controllo modulabile permette di lavorare a basso amperaggio ed è interfacciabile con altri sistemi elettronici presenti a bordo.

Facilità di installazione, controllo da remoto, manutenzione ridotta al minimo, bassi costi di investimento e ricambi sono gli altri vantaggi di questo kit innovativo.

The Anti Fouling kit allows to eliminate the issue regarding scale growing, caused by marine fouling in sea water, inside boats' seawater circuits.

The Tecnoseal - Guidi kit consists of:

- Control unit
- Anode
- Strainer

and can prevent the build-up of fouling: the transformer creates an electrolytic reaction that dissolves the anodes (in copper, aluminium or iron) installed inside the strainer.

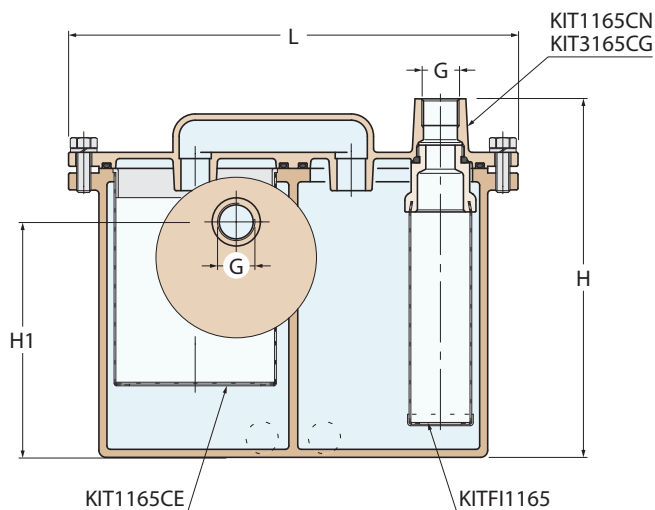
The dissolution of the anode in the circuit water prevents fouling, eliminating the risk of organic marine deposits: the modular control unit makes it possible to work at a lower amperage and can be interfaced with other electronic systems on-board.

Easy to install, remote control, minimized maintenance, low costs of investment and replacement parts are further advantages of this innovative kit.



Filtro carburante
Fuel filter

Filtro omologato RINA MAC
RINA MAC certificate



FILETTATURE / THREAD :
G = ISO 228/1 (BS 2779)



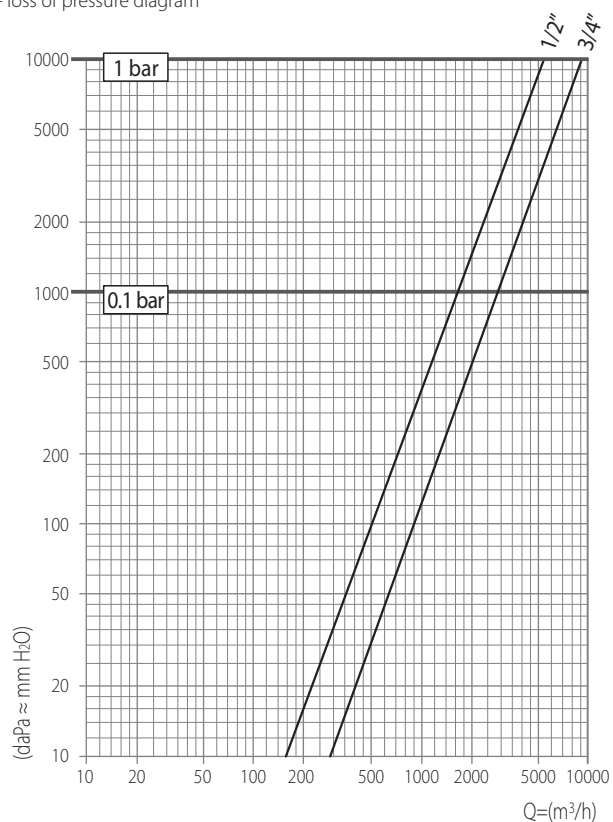
A3

1165	■	■
Weight (gr)	8900	8800
3165	■	■
Weight (gr)	2780	2770
H	216	216
H1	155	155
L	262	262
G	1/2"	3/4"

Bronzo nichelato
Nickel-plated bronze ■

3165  **Alluminio anodizzato nero**
Solo su richiesta speciale
Black anodized aluminium ■
Upon special request only

Diagramma portate - perdite di carico
Flow rate - loss of pressure diagram



Corpo in bronzo / Alluminio anodizzato nero
Bronze / Black anodized aluminium casing

Elemento filtrante in acciaio inox AISI 316L
AISI 316L stainless steel inside filter

Coperchio in bronzo / Alluminio anodizzato nero
Bronze / Black anodized aluminium cover

Guarnizioni in neoprene
Neoprene o-ring

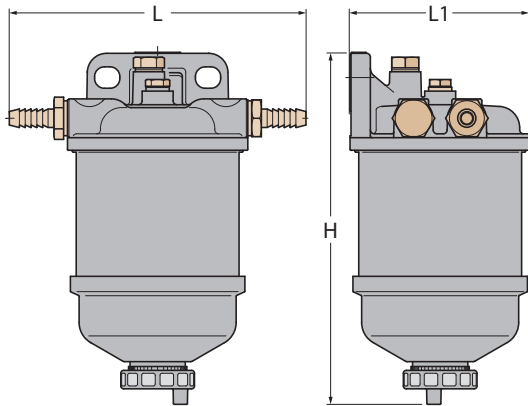
G	0.1 bar	1 bar
1/2"	1650	5340
3/4"	2900	9400

Portate di carburante attraverso il filtro pulito - lt/h
Flow-rate capacity through the clean filter - lt/h

filtri water strainers

1167

Filtro e decantatore carburante
Fuel filter

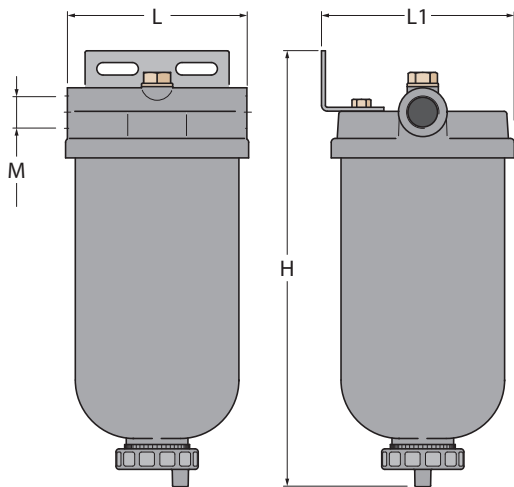


Portata / Flow-rate lt./h = 50

Weight (gr)	700
H	180
L1	93
L	152
Ref.	It. 50

1168

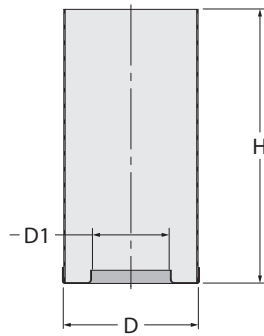
Decantatore carburante
Fuel filter



Portata / Flow-rate lt./h = 90

Weight (gr)	920
M	14x1.5
H	215
L1	122
L	95
Ref.	It. 210

KIT1160CE



Cestello in acciaio inox 316 per filtro
Stainless steel 316 impurity gatherer
for water strainer



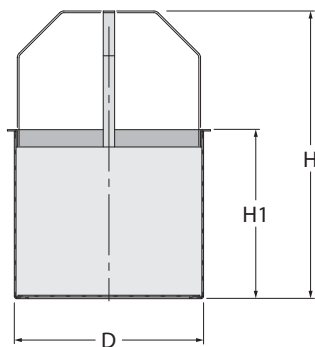
Acciaio inox 316
Stainless steel

KIT1160CE

for Art. 1158 - 1160

D1	29	29	29	29
D	49	49	49	49
H	75	75	75	100
Size - G	3/8"	1/2"	3/4"	1"

KIT1162CE



Cestello in acciaio inox 316 per filtro
Stainless steel 316 impurity gatherer
for water strainer



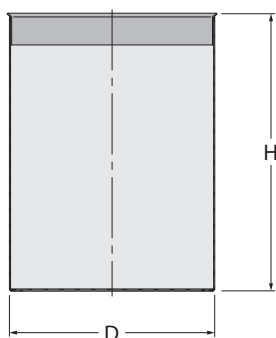
Acciaio inox 316
Stainless steel

KIT1162CE

for Art. 1162 - 3162 - 1163 - 3163

D	57	57	87	87	98	105	124	124	165	165
H1	64	64	77	77	95	100	108	175	151	210
H	96	96	121	121	148	161	179	246	256	317
Size - G	3/8"	1/2"	3/4"	1"	1 1/4"	1 1/2"	2"	2 1/2"	3"	4"

KIT1165CE



Filtro in acciaio inox 316 per decantatore carburante
Stainless steel 316 filter for fuel decanter



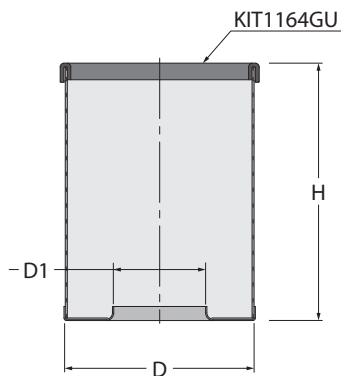
Acciaio inox 316
Stainless steel

KIT1165CE

for Art. 1165 - 3165

D	90	90
H	122	122
Size - G	1/2"	3/4"

KIT1164



Cestello in acciaio inox 316 e guarnizione a "U" per filtro

Set comprising: stainless steel 316 impurity gatherer plus "U"-shaped profile for water strainer

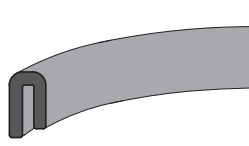


Acciaio inox 316
Stainless steel

KIT1164	■	■	■	■	■	■	■	■
for Art. 1164 - 3164 - 1166 - 3166								
D1	36	36	40	54	64	93.5	93.5	121
D	74	74	87	98	124	155	155	165
H	100	100	123	131	160	188	215	260
Size - G	3/4"	1"	1 1/4"	1 1/2"	2"	2 1/2"	3"	4"

KIT1164GU KIT1283GU KITMATGU

Profilo a "U" in NBR per cestello filtro
NBR "U"-shaped profile for water strainer s.s. impurity gatherer

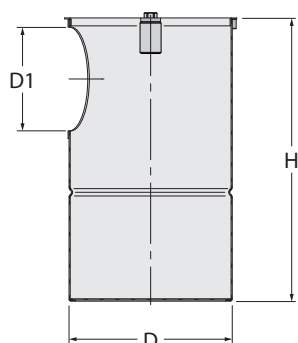


NBR
NBR

KITMATGU	■	■	■	■	■	■	■	■	■
L									1000
KIT1283GU	■	■	■	■	■	■	■	■	■
for Art. 1283 - 3283									
L						525	600		
Size - G						DN100	DN125		
KIT1164GU	■	■	■	■	■	■	■	■	■
for Art. 1164 - 3164 - 1166 - 3166									
L	240	240	280	315	395	490	490	525	
Size - G	3/4"	1"	1 1/4"	1 1/2"	2"	2 1/2"	3"	4"	

KIT1281

Cestello in acciaio inox 316 con zinco
Stainless steel 316 impurity gatherer for water strainer with zinc



Acciaio inox 316
Stainless steel

KIT1281	■	■	■	■	■	■	■	■
for Art. 1281 - 3281								
D1	55	70	85	105	131	157	208	260
D	105	124	140	165	190	220	250	308
H	170	214	241	287	360	390	485	580
Size - DN	50	65	80	100	125	150	200	250

KIT1283

Fig. 1

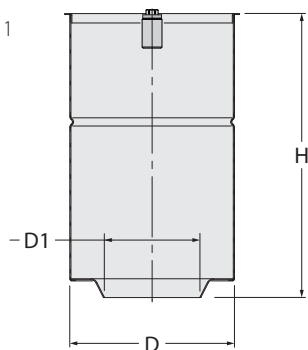
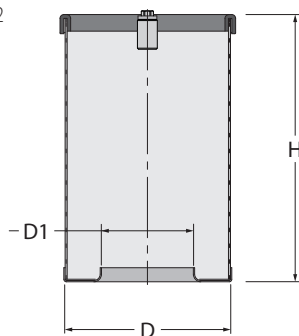


Fig. 2



Cestello in acciaio inox 316 con zinco

Stainless steel 316 impurity gatherer for water strainer with zinc



Acciaio inox 316
Stainless steel

A3

KIT1283

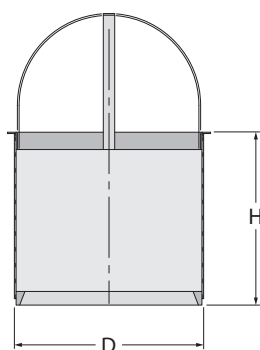
for Art. 1283 - 3283

Fig.	1	1	1	2	2	1	1	1
D1	50	65	80	121	145	150	200	250
D	105	124	140	165	190	220	250	308
H	178	222	243	260	320	389	455	534
Size - DN	50	65	80	100	125	150	200	250

KIT51162CEP

Cestello in materiale plastico (HDPE) per filtro
HDPE plastic impurity gatherer for strainer

STC TRADE



Materiale plastico HDPE
HDPE plastic

KIT51162CEP

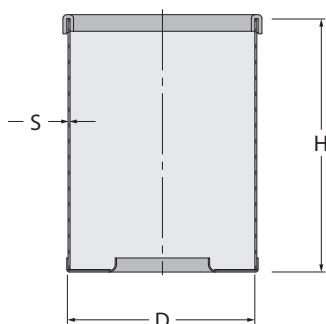
for Art. 1162 - 3162 - 1163 - 3163

D	87	87	98	105	124	124	165	165
H	77	77	95	100	108	175	151	210
Size - G	3/4"	1"	1"1/4	1"1/2	2"	2"1/2	3"	4"

KIT51164CEP

Cestello in materiale plastico (HDPE) per filtro
HDPE plastic impurity gatherer for strainer

STC TRADE



Materiale plastico HDPE
HDPE plastic

KIT51164CEP

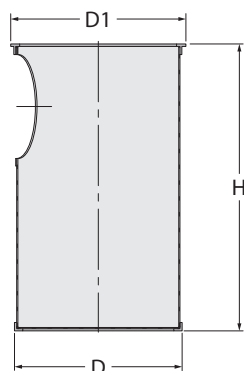
for Art. 1164 - 3164 - 1166 - 3166

S	2	2	2	2	3	3	3	3
D	74	74	87	98	124	155	155	165
H	100	100	123	131	160	188	215	260
Size - G	3/4"	1"	1"1/4	1"1/2	2"	2"1/2	3"	4"

KIT51281CEP

Cestello in materiale plastico (HDPE) per filtro
HDPE plastic impurity gatherer for strainer

STC TRADE



Materiale plastico HDPE
HDPE plastic

KIT51281CEP

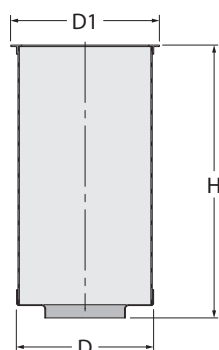
for Art. 1281 - 3281

D1	113	133	149	174	199	229	260	318
D	105	124	140	165	190	220	250	308
H	170	214	241	287	360	390	485	580
Size - DN	50	65	80	100	125	150	200	250

KIT51283CEP

Cestello in materiale plastico (HDPE) per filtro
HDPE plastic impurity gatherer for strainer

STC TRADE



Materiale plastico HDPE
HDPE plastic

KIT51283CEP

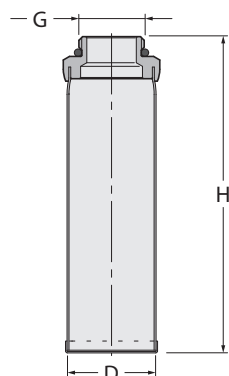
for Art. 1283 - 3283

D1	113	133	149			229	260	318
D	105	124	140	165	190	220	250	308
H	178	222	243	260	320	389	455	534
Size - DN	50	65	80	100	125	150	200	250

KITFI1165

Prefiltro in acciaio inox 316 e O-ring per
decantatore carburante

Set comprising stainless steel 316 pre-filter
and O-ring for fuel decanter



Acciaio inox 316
Stainless steel

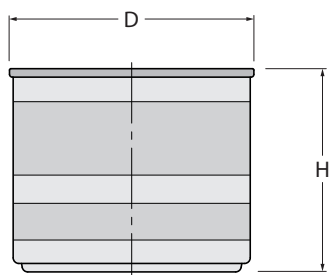
KITFI1165

for Art. 1165 - 3165

D	37	37
H	146	146
G	3/4"	3/4"
Size - G	1/2"	3/4"

CA1167

Cartuccia per filtro
Impurity gatherer for strainer



A3

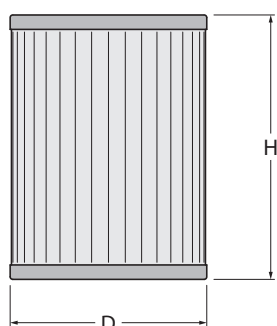
CA1167

for Art. 1167

D	87
H	72
DN	LT50

CA1168

Cartuccia per filtro
Impurity gatherer for strainer



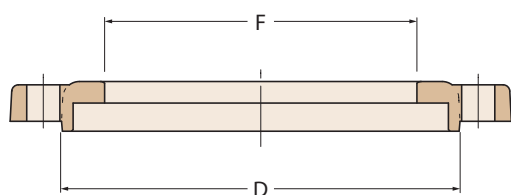
CA1168

for Art. 1168

D	71
H	122
Size - Lt	210

KIT1162AN

Anello per filtro
Ring for water strainer



KIT1162AN

for Art. 1162

KIT1162AN

for Art. 1164

F	62	62	90	90	100	110	132	132	167	167	167
D	93	93	123	123	132	145	176	176	213	213	213
Size - G	3/8"	1/2"	3/4"	1"	1"1/4	1"1/2	2"	2"1/2	2"1/2	3"	4"

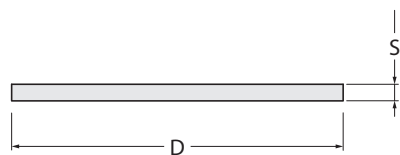
Bronzo nichelato
Nickel-plated bronze

ricambi spare parts

KIT1162DI

Disco in policarbonato trasparente per filtro

Transparent polycarbonate cover for filter



Policarbonato trasparente
Transparent polycarbonate

KIT1162DI

for Art. 1162 - 3162

KIT1162DI

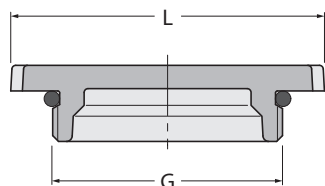
for Art. 1164 - 3164

D	85	85	114	114	123	135	160	160	196	196	196
S	5	5	5	5	6	6	8	8	8	8	8
Size - G	3/8"	1/2"	3/4"	1"	1"1/4	1"1/2	2"	2"1/2	2"1/2	3"	4"

KIT1158

Coperchio e O-ring in neoprene per filtro

Set comprising: cover and neoprene O-ring for water strainer



Ottone nichelato
Nickel-plated brass

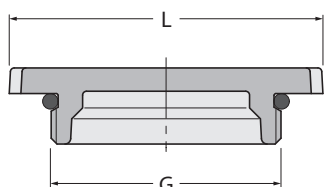
KIT1158

L	81	81	81	81
G	3/8"	1/2"	3/4"	1"

KIT1160

Coperchio in grilamid TR55 trasparente e O-ring in neoprene per filtro

Set comprising: grilamid TR55 see-thru cover and neoprene O-ring for water strainer



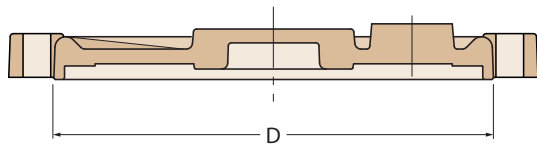
Grilamid (poliammide PA12)
Grilamid (polyamide PA6)

KIT1160

L	81	81	81	81
G	3/8"	1/2"	3/4"	1"

KIT1163CN

Coperchio per filtro
Cover for water strainer



KIT1163CN

for Art. 1163

KIT1163CN

for Art. 1166

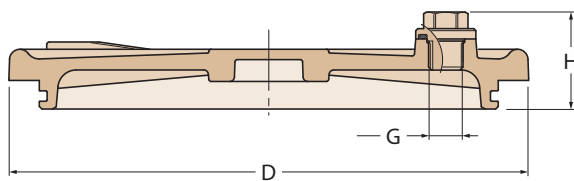
D	93	93	123	123	132	145	176	176	213	213	213
Size - G	3/8"	1/2"	3/4"	1"	1 1/4"	1 1/2"	2"	2 1/2"	2 1/2"	3"	4"

Bronzo nichelato
Nickel-plated bronze

KIT1281C

Coperchio, O-ring neoprene e dispositivo di sfogo aria per filtro

Set comprising: cover, neoprene O-ring and air vent for water strainer



KIT1281C

for Art. 1281

KIT1281C

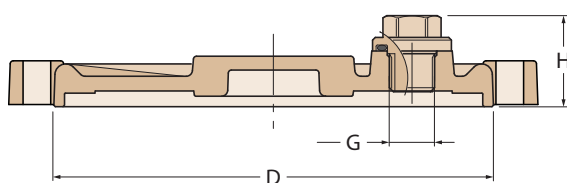
for Art. 1283

G	3/8"	3/8"	3/8"	3/8"	3/8"	3/8"	3/8"	3/8"
H	43	44	44	45	48	48	49	49
D	134	154	170	200	226	260	291	350
Size - DN	50	65	80	100	125	150	200	250

Bronzo nichelato
Nickel-plated bronze

KIT1283C

Coperchio per filtro
Cover for water strainer



KIT1283C

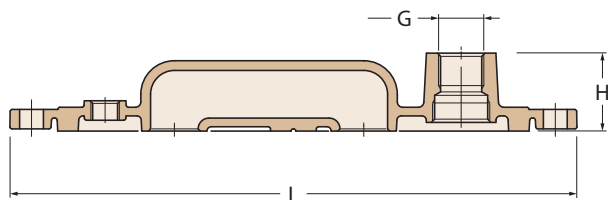
for Art. 1283

G	3/8"
H	30
D	213
Size - DN	100

Bronzo nichelato
Nickel-plated bronze

KIT1165CN

Kit coperchio per filtro decantatore
Fuel strainer cover kit



Bronzo nichelato
Nickel-plated bronze

KIT1165CN

for Art. 1165

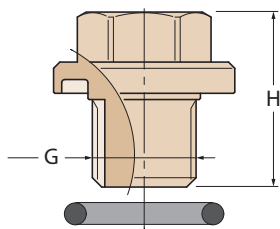
H	36	36
L	262	262
Size - G	1/2"	3/4"

KIT3165CN

Alluminio anodizzato nero
Solo su richiesta speciale
Black anodized aluminium
Upon special request only

KIT1281CT

Tappo sfiato con O-ring in neoprene
Air vent plug with neoprene O-ring



Bronzo
Bronze

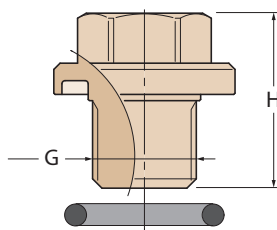
KIT1281CT

for Art. 1281 - 1283

H	28	28	28	28	28	28	28	28	28
G	3/8"	3/8"	3/8"	3/8"	3/8"	3/8"	3/8"	3/8"	3/8"
Size - DN	50	65	80	100	125	150	200	250	

KIT1281TN

Tappo in bronzo nichelato e
O-ring in neoprene
Plug, nickel-plated bronze
with neoprene O-ring



Bronzo nichelato
Nickel-plated bronze

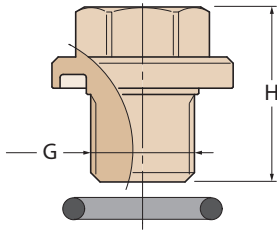
KIT1281TN

for Art. 1162 - 1163

H	19	19	19	19	19	19	19	19	19	25
G	1/4"	1/4"	1/4"	1/4"	1/4"	1/4"	1/4"	1/4"	1/4"	1/2"
Size - G	3/8"	1/2"	3/4"	1"	1 1/4"	1 1/2"	2"	2 1/2"	3"	4"

KIT1281T

Tappo scarico per filtro con O-ring in neoprene
Strainer drain plug with neoprene o-ring



A3

KIT1281T

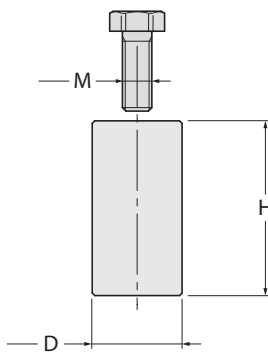
for Art. 1281

H	19	19	25	32	32	32	39
G	1/4"	1/4"	1/2"	1"	1"	1"	2"
Size - DN	65	80	100	125	150	200	250

Bronzo
Bronze

KITZICIL

Zinco con vite per cestelli
Anode with screw for impurity gatherers



KITZICIL

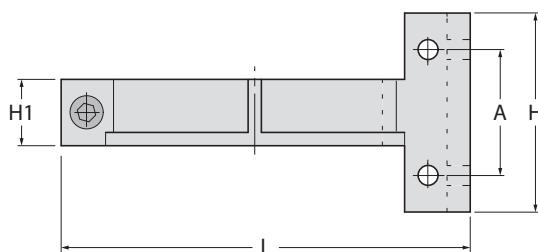
for Art. 1281 - 1283

M	6	6	6	6	6	6	6
H	27	27	27	27	27	27	27
D	18	18	18	18	18	18	18
Size - DN	50	65	80	100	125	150	200

Zinco
Zinc

ST1160

Staffa in nylon per supporto filtro
Nylon holding bracket for water strainer



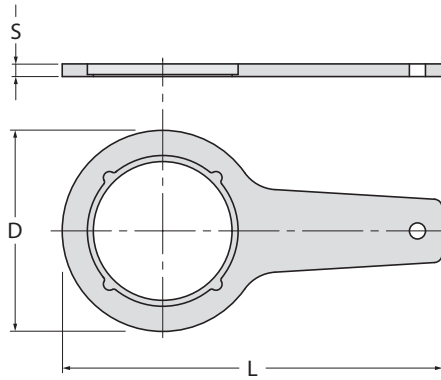
ST1160

for Art. 1158 - 1160

H	60	60	60	60
L	124	124	124	124
H1	20	20	20	20
A	38	38	38	38
Size	3/8"	1/2"	3/4"	1"

Nylon
Nylon

Maniglia o chiave in nylon per filtro
Nylon handle or key for water strainer




Nylon
Nylon ■

CH1160

for Art. 1158 - 1160

S	6	6	6	6
L	190	190	190	190
D	100	100	100	100
Size	3/8"	1/2"	3/4"	1"



nautica
marine equipment

flange flanges



flange flanges

1340

Flangia PN6 / PN16 con filetto maschio
PN6 / PN16 flange with male thread

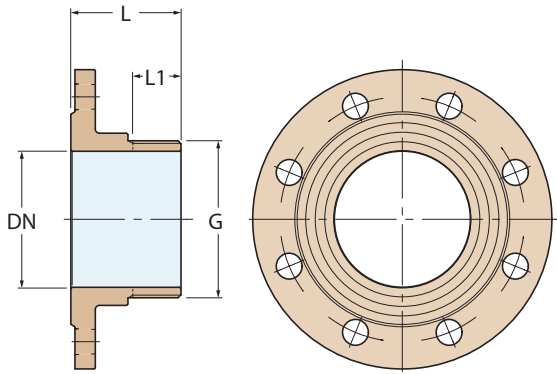


Tabella flange a pag. 195
Flange table on page 195

FILETTATURE / THREAD :
G = ISO 228/1 (BS 2779)

1340	25	32	40	50	65	80	100	125	150
Weight (PN6) (gr)	730	1100	1270	1600	2160	3150	4220	5590	6680
Weight (PN16) (gr)	1060	1700	1910	2520	3400	3980	5240	6980	8530
1340N	25	32	40	50	65	80	100	125	150
Weight (PN6) (gr)	700	1050	1205	1530	2050	2930	4020	5370	6380
Weight (PN16) (gr)	1015	1620	1820	2430	3300	3760	4960	6640	8250
3340	25	32	40	50	65	80	100	125	150
Weight (PN6) (gr)	220	330	380	480	650	945	1265	1680	2010
Weight (PN16) (gr)	320	510	575	755	1020	1195	1570	2095	2560
L (PN6)	49	55	56	59	66	71	78	86	88
L (PN16)	52	57	58	62	69	74	81	89	91
L1	20	22	23	26	30	33	39	44	44
DN	25	32	40	50	65	80	100	125	150
G	1"	1 1/4"	1 1/2"	2"	2 1/2"	3"	4"	5"	6"

Bronzo
Bronze

1340N



Ottone nichelato
Nickel-plated brass

3340



Alluminio anodizzato nero
Solo su richiesta speciale
Black anodized aluminium
Upon special request only

1350

Flangia PN6 / PN16 con filetto femmina
PN6 / PN16 flange with female thread

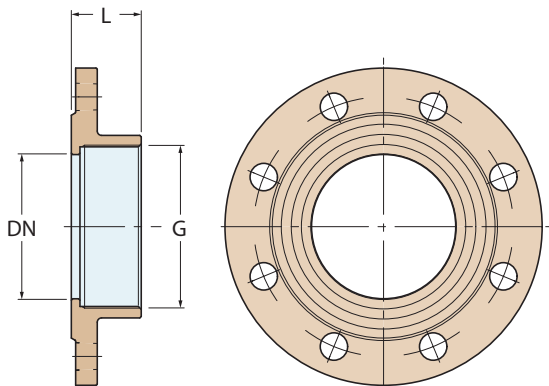


Tabella flange a pag. 195
Flange table on page 195

FILETTATURE / THREAD :
G = EN 10226/1 (BS 21)

1350	25	32	40	50	65	80	100	125	150	200
Weight (PN6) (gr)	640	970	1120	1390	1865	2600	3400	4700	5210	-
Weight (PN16) (gr)	1100	1530	1700	2320	3100	3450	4400	5900	7200	9800
1350N	25	32	40	50	65	80	100	125	150	200
Weight (PN6) (gr)	610	920	1060	1320	1755	2380	3200	4520	4910	-
Weight (PN16) (gr)	1050	1450	1610	2230	3000	3230	4120	5560	6920	9800
3350	25	32	40	50	65	80	100	125	150	200
Weight (PN6) (gr)	190	290	340	420	560	780	1020	1410	1565	-
Weight (PN16) (gr)	330	460	510	700	930	1035	1320	1770	2160	2940
L	27	29	29	34	38	42	49	52	53	54
DN	25	32	40	50	65	80	100	125	150	200
G	1"	1 1/4"	1 1/2"	2"	2 1/2"	3"	4"	5"	6"	M216x3.5

Bronzo
Bronze

1350N



Ottone nichelato
Nickel-plated brass

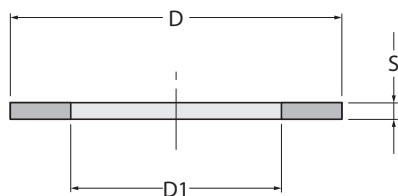
3350



Alluminio anodizzato nero
Solo su richiesta speciale
Black anodized aluminium
Upon special request only

Guarnizione piana in neoprene per flangia


Neoprene gasket for flanges



Neoprene ■
Neoprene ■

A4

GF	■	■	■	■	■	■	■	■	■	■
for Art. 1340 - 1350 - 1340N - 1350N - 3340 - 3350										
D (PN6)	55	65	75	85	105	120	140	170	195	-
D (PN16)	65	75	80	95	115	130	155	180	210	260
D1	30	35	45	55	70	85	105	130	155	205
S	3	3	3	3	3	3	3	4	4	4
Size - DN	25	32	40	50	65	80	100	125	150	200



nautica
marine equipment

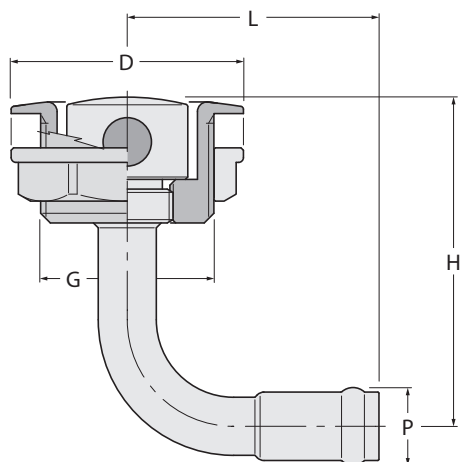
sfiati e ombrinali vents and scuppers



sfiati e ombrinali vents and scuppers

1186

Sfiato portagomma curvo a scomparsa
Flush tank vent with hose connection - bent



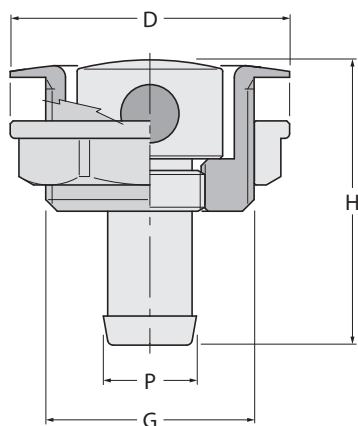
Ottone cromato
Chromium-plated brass

1186

Weight (gr)	225
L	52
D	48
H	68
P	16
G	ø35x14 Fil.

1187

Sfiato portagomma diritto a scomparsa
Flush tank vent with hose connection - straight



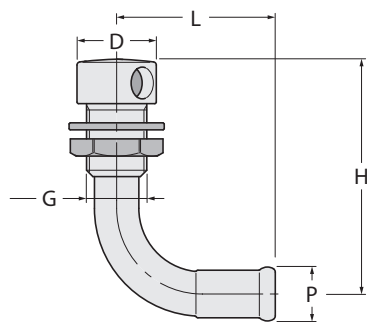
Ottone cromato
Chromium-plated brass

1187

Weight (gr)	210	320
D	48	54
H	49	59
P	16	20
G	ø35x14 Fil.	1"1/4

sfiati e ombrinali vents and scuppers

1188D



Sfiato con portagomma curvo destro
90° gas tank vent with hose connection.
right side



Ottone cromato
Chromium-plated brass

1188DL



Ottone lucido
Polished brass

1188D

1188DL

Weight (gr) 97

L 52

D 25

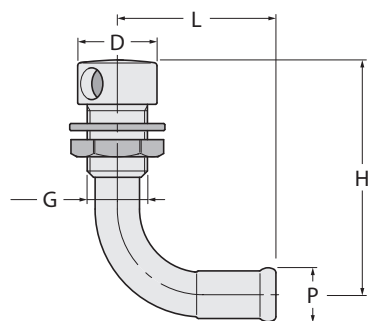
H 77

P 17

G 19x19F

Size $\varnothing 19 \times 16$

1188S



Sfiato con portagomma curvo sinistro
90° gas tank vent with hose connection.
left side



Ottone cromato
Chromium-plated brass

1188SL



Ottone lucido
Polished brass

1188S

1188SL

Weight (gr) 97

L 52

D 25

H 77

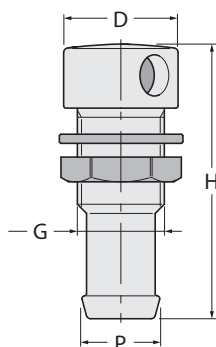
P 17

G 19x19F

Size $\varnothing 19 \times 16$

1190

Sfiato diritto
Straight gas tank vent



FILETTATURE / THREAD :
G = ISO 228/1 (BS 2779)



Ottone cromato
Chromium-plated brass

1190L



Ottone lucido
Polished brass

1190

1190L

Weight (gr) 85 205

H 60 70

D 25 32

P 16 20

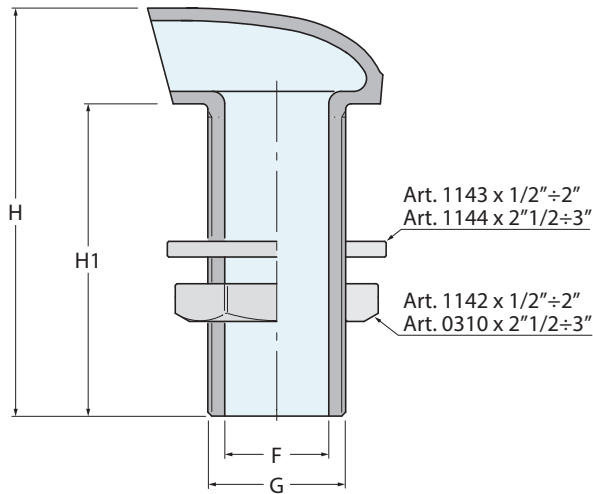
G 19x19F 3/4"

Size $\varnothing 19 \times 16$ 3/4"x20

sfiati e ombrinali vents and scuppers

1193

Ombrinale serie "spazio"
Shell scupper vent "space" series



FILETTATURE / THREAD :
G = ISO 228/1 (BS 2779)

1193	■	■	■	■	■	■	■	■
1192	■	■	■	■	■	■	■	■
Weight (gr)	160	230	375	550	705	1000	1980	2650
H	83	88	98	106	116	124	140	166
H1	65	68	75	80	85	90	100	120
F	15	19	25	33	39	50	65	78
G	1/2"	3/4"	1"	1"1/4	1"1/2	2"	2"1/2	3"

Ottone cromato
Chromium-plated brass ■

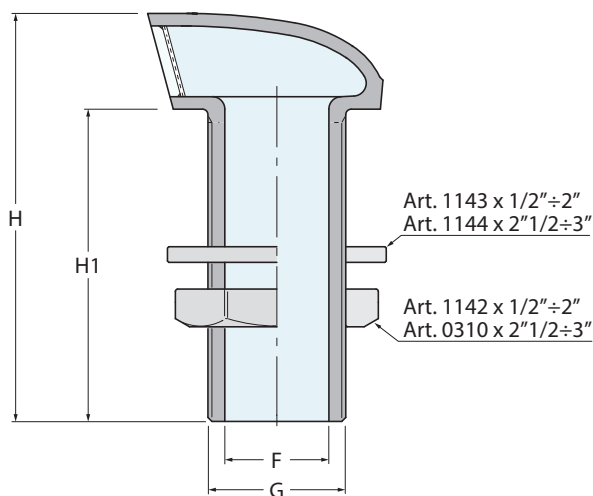
1192



Ottone sabbiato
Yellow brass ■

1194

Bocchetta sfiato con retina inox
Tank breather vent



FILETTATURE / THREAD :
G = ISO 228/1 (BS 2779)

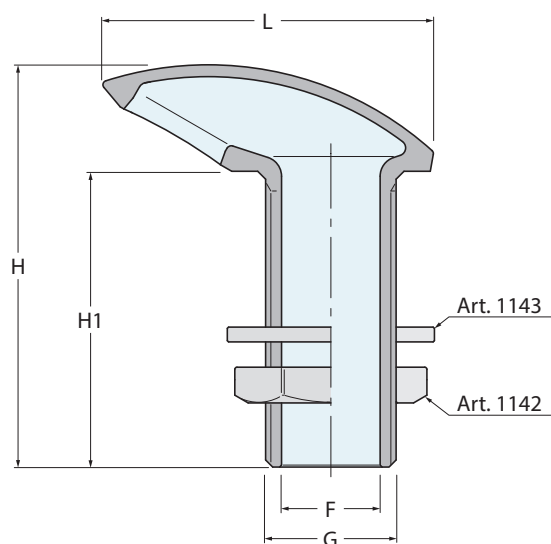
1194	■	■	■	■	■	■	■	■
Weight (gr)	165	235	380	560	715	1015	1990	2660
H	83	88	98	106	116	124	140	166
H1	65	68	75	80	85	90	100	120
F	15	19	25	33	39	50	65	78
G	1/2"	3/4"	1"	1"1/4	1"1/2	2"	2"1/2	3"

Ottone cromato
Chromium-plated brass ■

sfiati e ombrinali vents and scuppers

1198

Ombrinale serie "arrow"
Shell scupper vent "arrow" series



FILETTATURE / THREAD :
G = ISO 228/1 (BS 2779)

1198	■	■	■	■	■	■
1197	■	■	■	■	■	■
Weight (gr)	200	295	425	625	845	1270
H	85	93	102	111	119	130
H1	65	70	75	80	85	90
L	61	71	84	101	112	135
F	15	20	25	33	38	49
G	1/2"	3/4"	1"	1"1/4	1"1/2	2"



Ottone cromato
Chromium-plated brass ■

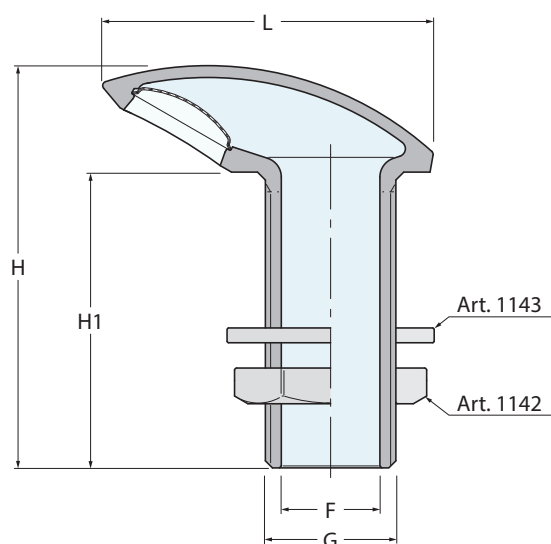
1197



Ottone sabbiato
Yellow brass ■

1199

Ombrinale serie "arrow" con filtro
Tank breather vent "arrow" series




FILETTATURE / THREAD :
G = ISO 228/1 (BS 2779)

1199	■	■	■	■	■	■
Weight (gr)	200	295	425	625	845	1270
H	85	93	102	111	119	130
H1	65	70	75	80	85	90
L	61	71	84	101	112	135
F	15	20	25	33	38	49
G	1/2"	3/4"	1"	1"1/4	1"1/2	2"



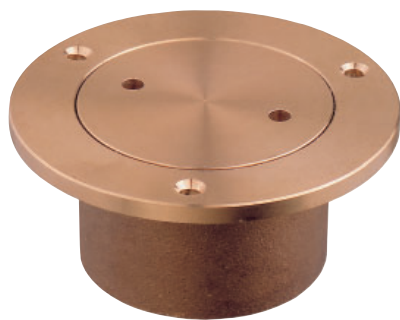
Ottone cromato
Chromium-plated brass ■

A5



nautica
marine equipment

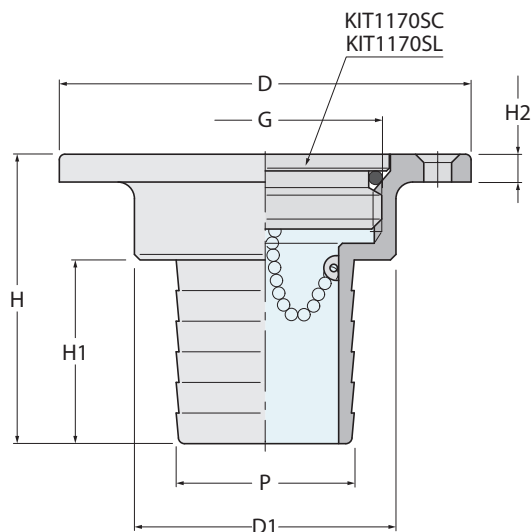
tappi imbarco e tappi scarico deck fillers and pump-out



tappi imbarco e tappi scarico deck fillers and pump-out

1171

Tappo imbarco a filo "FUEL" con portagomma
"FUEL" deck filler with hose connector



FILETTATURE / THREAD :
G = ISO 228/1 (BS 2779)

1171	■	■	■
1171L	■	■	■
Weight (gr)	430	455	540
H	65	65	65
H1	45	45	46
H2	5	5	5
D1	54	54	54
D	83	83	83
P	38	40	50
G	1"1/2	1"1/2	1"1/2



Ottone cromato
Chromium-plated brass ■

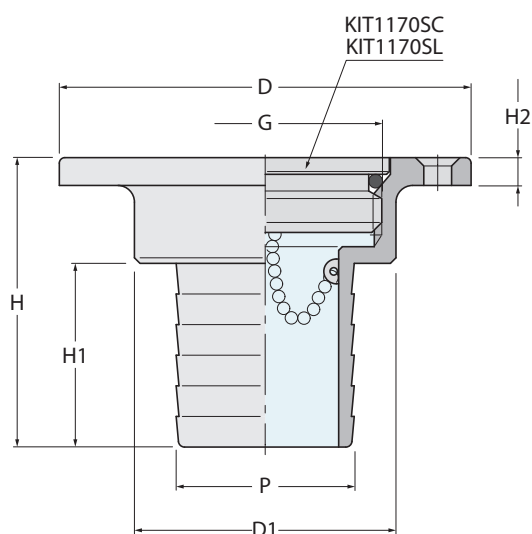
1171L



Ottone lucido
Polished brass ■

1172

Tappo imbarco a filo "WATER" con portagomma
"WATER" deck filler with hose connector



FILETTATURE / THREAD :
G = ISO 228/1 (BS 2779)

1172	■	■	■
1172L	■	■	■
Weight (gr)	430	455	540
H	65	65	65
H1	45	45	46
H2	5	5	5
D1	54	54	54
D	83	83	83
P	38	40	50
G	1"1/2	1"1/2	1"1/2



Ottone cromato
Chromium-plated brass ■

1172L

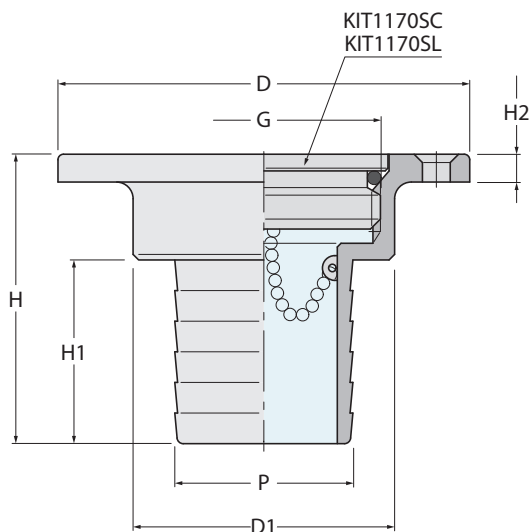


Ottone lucido
Polished brass ■

tappi imbarco e tappi scarico deck fillers and pump-out

1174

Tappo imbarco a filo "WASTE" con portagomma
"WASTE" deck filler with hose connector



FILETTATURE / THREAD :
G = ISO 228/1 (BS 2779)

1174	■	■	■
1174L	■	■	■
Weight (gr)	430	455	540
H	65	65	65
H1	45	45	46
H2	5	5	5
D1	54	54	54
D	83	83	83
P	38	40	50
G	1"1/2	1"1/2	1"1/2

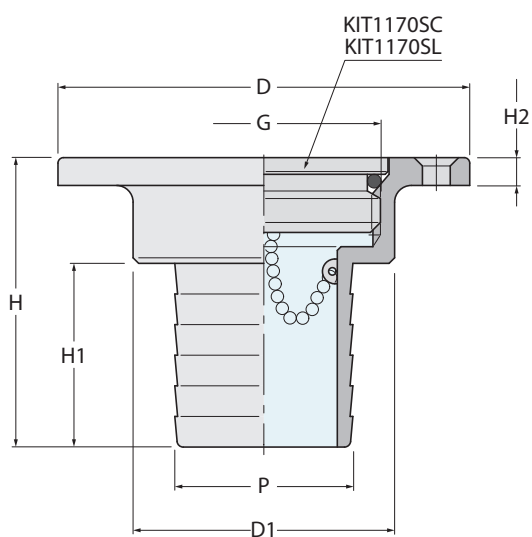


Ottone cromato
Chromium-plated brass ■

1174L  Ottone lucido
Polished brass ■

1177

Tappo imbarco a filo "DIESEL" con portagomma
"DIESEL" deck filler with hose connector



FILETTATURE / THREAD :
G = ISO 228/1 (BS 2779)

1177	■	■	■
1177L	■	■	■
Weight (gr)	430	455	540
H	65	65	65
H1	45	45	46
H2	5	5	5
D1	54	54	54
D	83	83	83
P	38	40	50
G	1"1/2	1"1/2	1"1/2



Ottone cromato
Chromium-plated brass ■

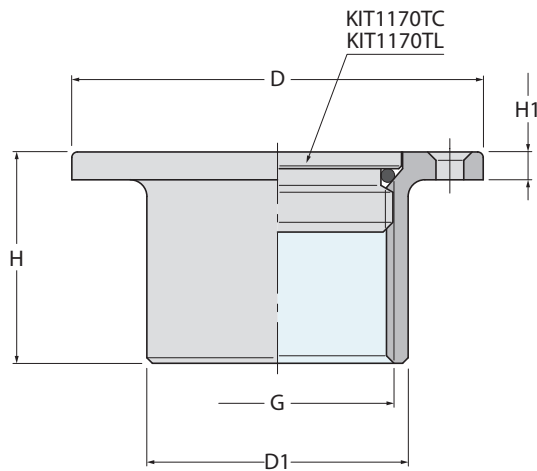
1177L  Ottone lucido
Polished brass ■

A6

tappi imbarco e tappi scarico deck fillers and pump-out

1173

Tappo imbarco a filo "FUEL"
"FUEL" deck filler



FILETTATURE / THREAD :
G = ISO 228/1 (BS 2779)

1173	■	■
1173L	■	■
Weight (gr)	330	440
H	48	48
H1	5	5
D1	47	54
D	74	83
G	1"1/4	1"1/2

Ottone cromato
Chromium-plated brass ■

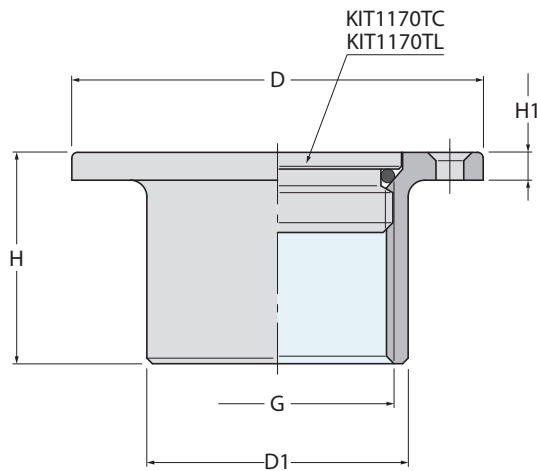
1173L



Ottone lucido
Polished brass ■

1176

Tappo imbarco a filo "WATER"
"WATER" deck filler



FILETTATURE / THREAD :
G = ISO 228/1 (BS 2779)

1176	■	■
1176L	■	■
Weight (gr)	330	440
H	48	48
H1	5	5
D1	47	54
D	74	83
G	1"1/4	1"1/2

Ottone cromato
Chromium-plated brass ■

1176L

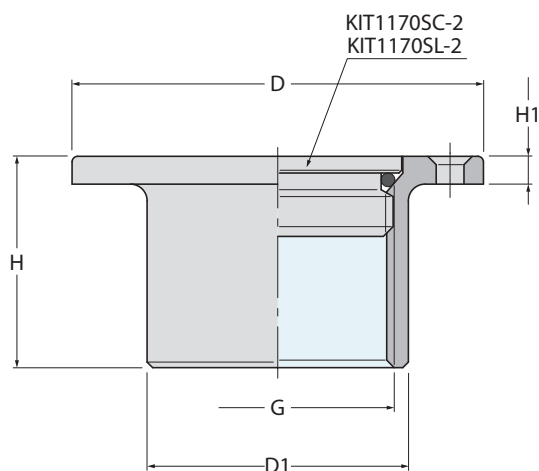


Ottone lucido
Polished brass ■

tappi imbarco e tappi scarico deck fillers and pump-out

1178

Tappo imbarco a filo "FUEL"
"FUEL" deck filler



FILETTATURE / THREAD :
G = ISO 228/1 (BS 2779)



1178 ■
1178L ■

Weight (gr)	440
H	48
H1	5
D	83
D1	54
G	1"1/2

Ottone cromato
Chromium-plated brass ■

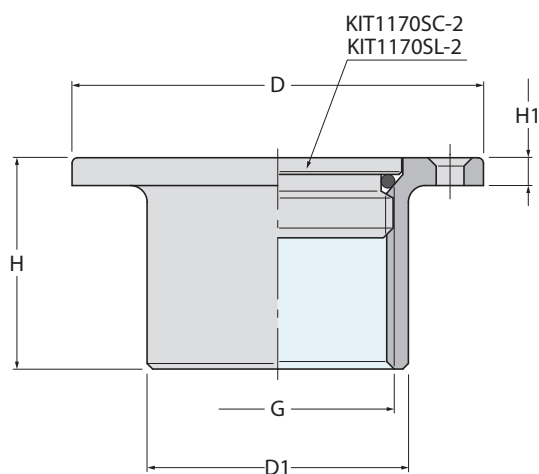
1178L



Ottone lucido
Polished brass ■

1179

Tappo imbarco a filo "WATER"
"WATER" deck filler



FILETTATURE / THREAD :
G = ISO 228/1 (BS 2779)



1179 ■
1179L ■

Weight (gr)	440
H	48
H1	5
D	83
D1	54
G	1"1/2

Ottone cromato
Chromium-plated brass ■

1179L



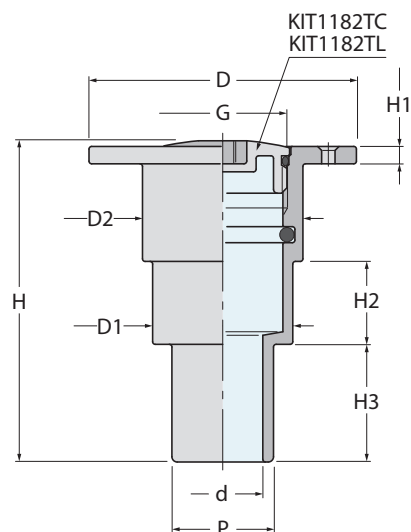
Ottone lucido
Polished brass ■

A6

tappi imbarco e tappi scarico deck fillers and pump-out

1182

Pump out
Pump out



FILETTATURE / THREAD :
G = ISO 228/1 (BS 2779)

1182 ■
1182L ■

Weight (gr)	1040
H	120
H1	6
H2	31
H3	44
D	100
D1	51
D2	60
d	30
P	38
G	1"1/2



Ottone cromato ■
Chromium-plated brass

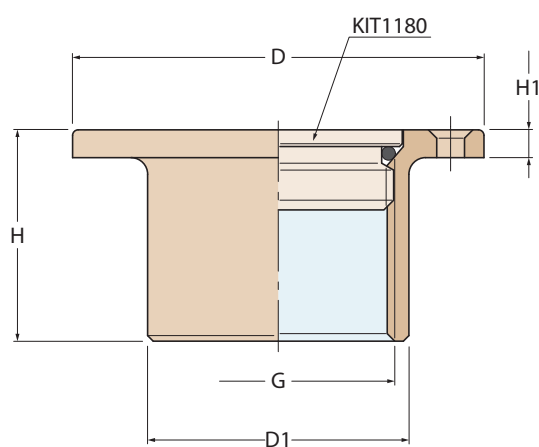
1182L



Ottone lucido ■
Polished brass

1180

Tappo imbarco
Deck filler



FILETTATURE / THREAD :
G = ISO 228/1 (BS 2779)

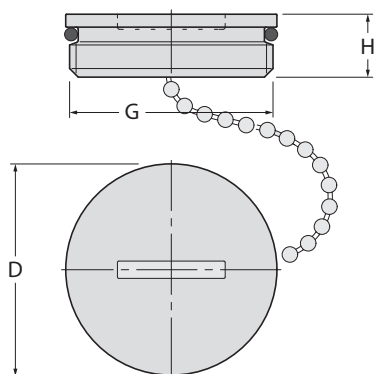
1180	■	■	■	■	■	■	■
Weight (gr)	340	525	550	990	1315	1800	2700
H	38	43	43	45	51	52	57
H1	5	5.5	5.5	6	6.5	6.5	7
D	71	79	87	106	131	146	174
D1	42	50	55	69	83	100	114
G	1"	1"1/4	1"1/2	2"	2"1/2	3"	3"1/2



Bronzo ■
Bronze

KIT1170SC

Kit tappo M con o-ring, catenella e vite
Spare plug with o-ring, chain and screw



FILETTATURE / THREAD :
G = ISO 228/1 (BS 2779)



Ottone cromato
Chromium-plated brass

KIT1170SL



Ottone lucido
Polished brass

KIT1170SC

for Art. 1171 - 1172 - 1174 - 1177

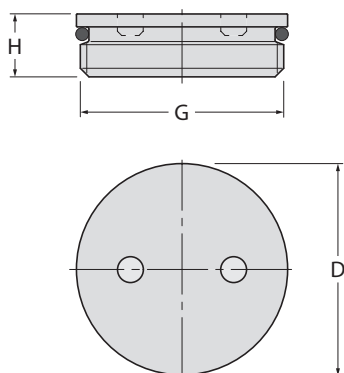
KIT1170SL

for Art. 1171L - 1172L - 1174L - 1177L

D	49
H	15
G	1"1/2

KIT1170TC

Kit tappo M con o-ring
Spare plug M with o-ring



FILETTATURE / THREAD :
G = ISO 228/1 (BS 2779)



Ottone cromato
Chromium-plated brass

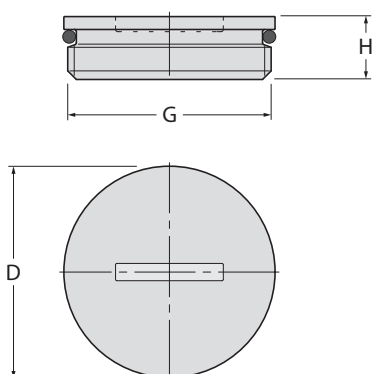
KIT1170TC

for Art. 1173 - 1176

D	49
H	15
G	1"1/2

KIT1170SC-2

Kit tappo M con o-ring
Spare plug M with o-ring



FILETTATURE / THREAD :
G = ISO 228/1 (BS 2779)



Ottone cromato
Chromium-plated brass

KIT1170SL-2



Ottone lucido
Polished brass

KIT1170SC-2

for Art. 1178 - 1179

KIT1170SL-2

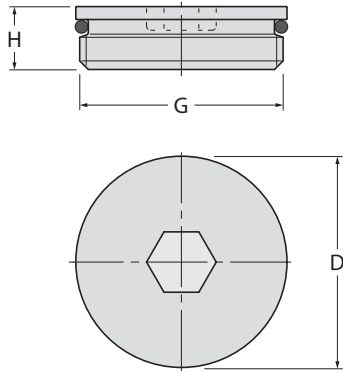
for Art. 1178L - 1179L

D	49
H	15
G	1"1/2

ricambi spare parts

KIT1182TC

Kit tappo M con o-ring
Spare plug M with o-ring



FILETTATURE / THREAD :
G = ISO 228/1 (BS 2779)



KIT1182TC

for Art. 1182C

KIT1182TL

for Art. 1182L

D	49
H	15
G	1"1/2

Ottone cromato
Chromium-plated brass

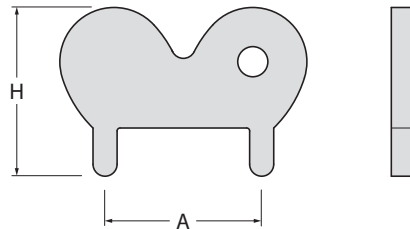
KIT1182TL



Ottone lucido
Polished brass

CH1170

Chiave stampata per tappo imbarco
Stamped key for deck filler



CH1170

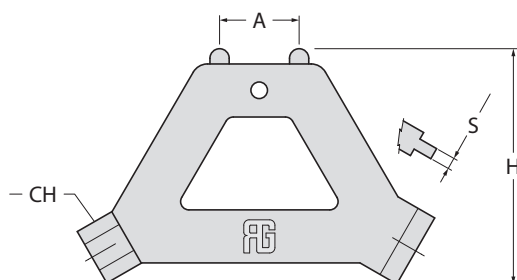
for Art. 1173 - 1176

H	28
A	25

Ottone nichelato
Nickel-plated brass

CH1182

Chiave multipla per:
"pump out" e tappi imbarco
Universal key for:
"pump out" and deck fillers



CH1182

for Art. 1171 - 1172 - 1174 - 1177 - 1178 - 1179 - 1182

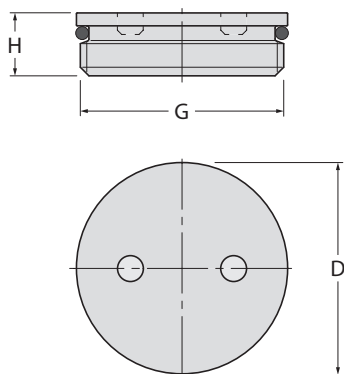
A	25
H	71
S	3.5
CH	16



ABS
ABS

KIT1180

Tappo M e o-ring per tappo imbarco
Set comprising plug and o-ring for deck filler



FILETTATURE / THREAD :
G = ISO 228/1 (BS 2779)



KIT1180

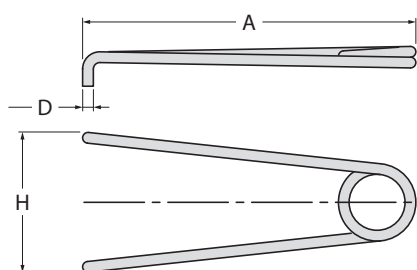
for Art. 1180

D	36	45	54	70	85	94	110
H	16	22	20	24	25	25	26
G	1"	1"1/4	1"1/2	2"	2"1/2	3"	3"1/2

Bronzo
Bronze

CH1180

Chiave a molla per tappo imbarco
Spring key for deck filler




CH1180

for Art. 1180

D	5	5	5	5	5
L	155	155	184	184	184
A	60	60	110	110	110
G	1"1/2	2"	2"1/2	3"	3"1/2

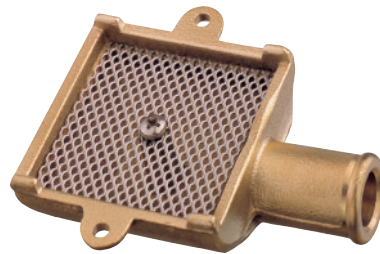
Acciaio
Steel

A6



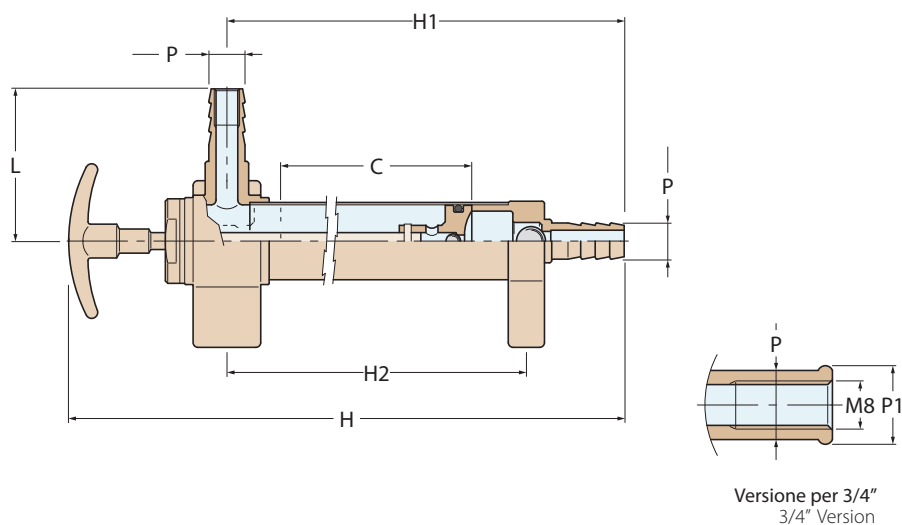
nautica
marine equipment

accessori accessories



1126

Pompa ricambio olio serie normale
Sump-oil change pump normal series



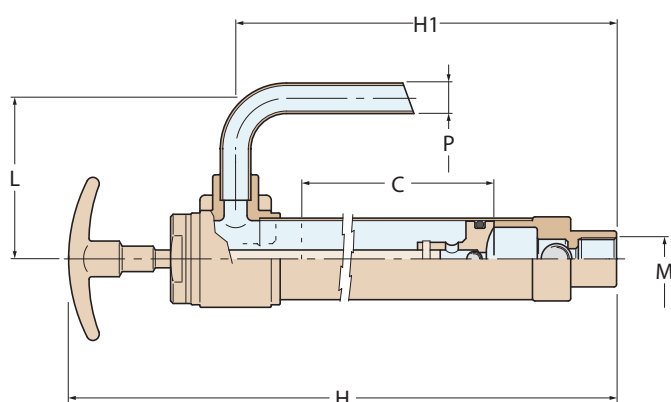
1126	■	■
Weight (gr)	450	785
L	38	66
P1	13	-
P	11	15
C	125	190
H2	165	230
H1	194	273
H	255	335
Ref.	3/4"	1"



Ottone sabbiato
Yellow brass

1128

Pompa ricambio olio serie "export"
Sump-oil change pump "export" series



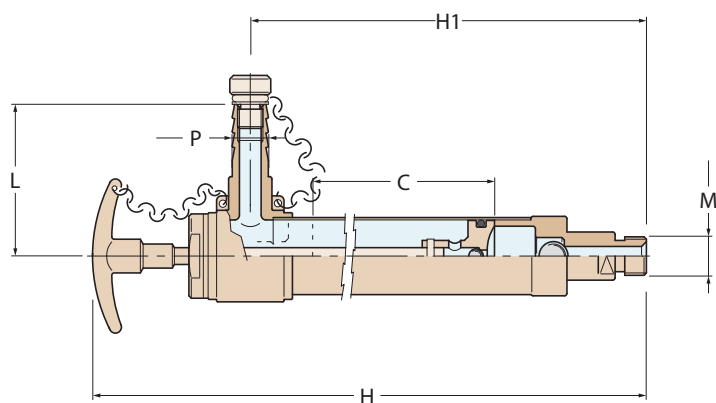
1128	■	■
Weight (gr)	700	695
L	70	70
P	12	12
C	140	140
H	270	270
H1	205	205
M	14x1.5	16x1.5



Ottone sabbiato
Yellow brass

1129

Pompa ricambio olio serie "extra"
Sump-oil change pump "extra" series



1129

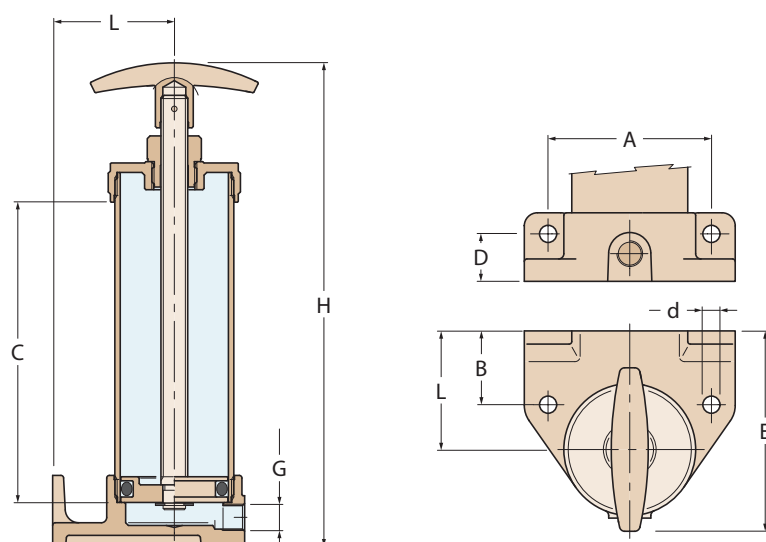
Weight (gr)	810
L	64
P	16
C	190
H1	275
H	340
M	16x1.5

Ottone sabbiato
Yellow brass

A7

1300

Ingrassatore
Greaser



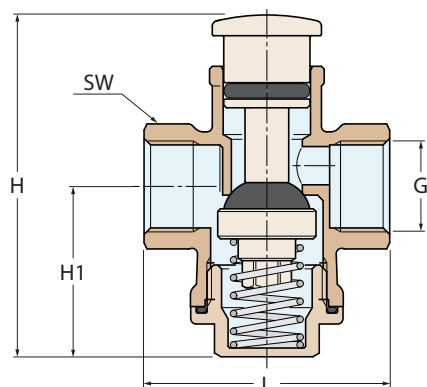
1300

Weight (gr)	870
d	6.5
A	62
B	28
D	17
L	45
C	110
H	178 - 288
G	1/8"

Ottone sabbiato
Yellow brass

1130

Rubinetto a pulsante
Pushbutton cock



FILETTATURE / THREAD :
G = ISO 228/1 (BS 2779)



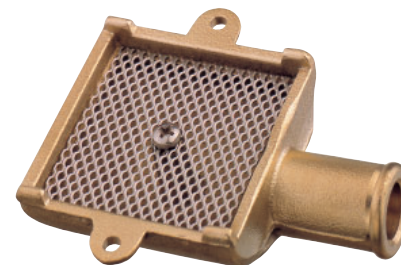
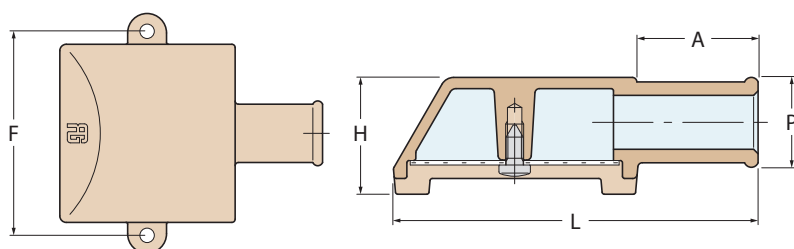
Ottone sabbato
Yellow brass

1130

Weight (gr)	175
SW	21
H	63
H1	31
L	45
G	3/8"

1200

Succhieruola di sentina con filtro inox
Bilge strum box with stainless steel gauze



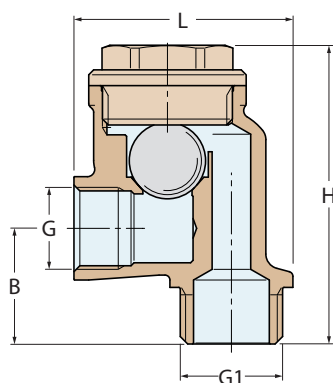
Ottone sabbato
Yellow brass

1200

Weight (gr)	170	400
F	64	89
L	82	110
H	25	30
A	27	30
P	20	25

1250

Valvola Siphonbreak
Siphonbreak valve



FILETTATURE / THREAD :
G = ISO 228/1 (BS 2779)

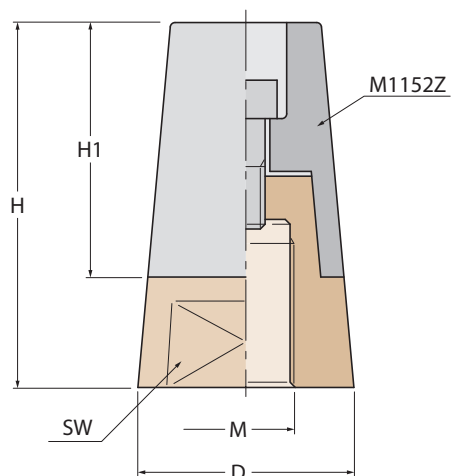


Ottone nichelato
Nickel-plated brass

1250

Weight (gr)	180
B	24
L	45
H	61
G	3/8"
G1	1/2"

Ogiva per asse con zinco intercambiabile
Anode for propeller shaft with replaceable zinc



1152	■	■	■	■	■	■	■	■	■	■	■	■	■
Weight (gr)	275	265	265	570	545	565	720	720	850	870	1500	1500	2080
SW	29	29	29	31	31	31	35	35	40	40	49	49	54
D	36	36	36	45	45	45	49	49	55	55	65	65	73
H	57	57	57	75	75	75	85	85	90	90	103	102	113
H1	39	39	39	53	53	53	62	62	65	65	75	75	85
M	14x1.5	16x1.5	16x2	18x1.5	20x1.5	3/4"W	22x1.5	1"W	24x2	26x2	30x2	33x2	36x3

Ottone sabbiato
Yellow brass

A7



raccorderia
pipe fittings

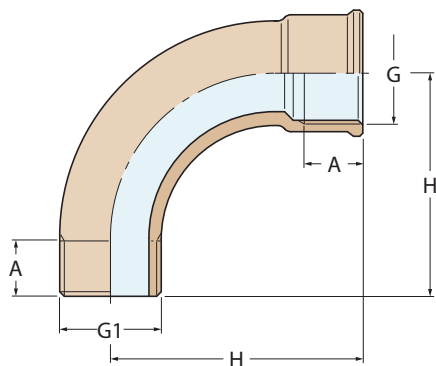
ottone
brass



raccorderia ottone pipe fittings brass

0001

Curva a 90° M-F
90° bend M-F



FILETTATURE / THREAD :
G = ISO 228/1 (BS 2779)
G1 = EN 10226/1 (BS 21)



Ottone sabbato
Yellow brass

0001	■	■	■	■	■	■	■
0001N	■	■	■	■	■	■	■
Weight (gr)	75	115	205	370	610	790	1180
H	40	45	55	70	90	100	120
A	10	13	14.5	17	19	19	23.5
G - G1	3/8"	1/2"	3/4"	1"	1 1/4"	1 1/2"	2"

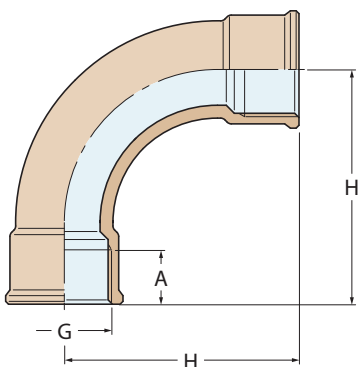
0001N



Ottone nichelato
Nickel-plated brass

0002

Curva a 90° F-F
90° bend F-F



FILETTATURE / THREAD :
G = ISO 228/1 (BS 2779)



Ottone sabbato
Yellow brass

0002	■	■	■	■	■	■	■
0002N	■	■	■	■	■	■	■
Weight (gr)	80	130	215	380	630	800	1240
H	40	45	55	70	90	100	120
A	10	13	14.5	17	19	19	23.5
G	3/8"	1/2"	3/4"	1"	1 1/4"	1 1/2"	2"

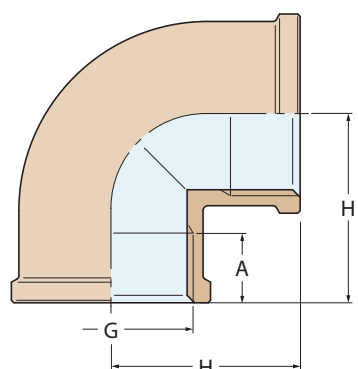
0002N



Ottone nichelato
Nickel-plated brass

0090

Gomito a 90° F-F
90° elbow F-F



FILETTATURE / THREAD :
G = ISO 228/1 (BS 2779)



Ottone sabbato
Yellow brass

0090	■	■	■	■	■	■	■	■	■	■	■	■	
0090C			■	■	■	■							
0090N	■	■	■	■	■	■	■	■	■	■	■	■	
Weight (gr)	30	45	50	90	120	225	290	325	550	950	1400	2350	4400
H	20	22	23	28	33	39	43	46	56	63	74	91	112
A	10	11	12	14	15	18	21	21	26	23	24	27	33
G	1/8"	1/4"	3/8"	1/2"	3/4"	1"	1 1/4"	1 1/2"	2"	2 1/2"	3"	4"	5"

0090C



Ottone cromato
Chromium-plated brass

0090N

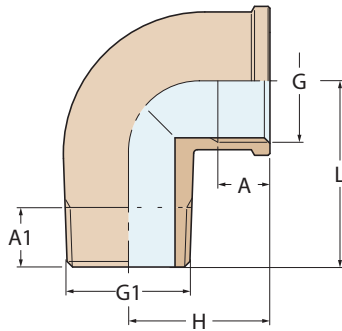


Ottone nichelato
Nickel-plated brass

raccorderia ottone pipe fittings brass

0092

Gomito a 90° M-F
90° elbow M-F



FILETTATURE / THREAD :
G = EN 10226/1 (BS 21)
G1 = ISO 228/1 (BS 2779)



Ottone sabbbiato
Yellow brass

0092	■	■	■	■	■	■	■	■	■	■	■	■	■
0092C		■	■	■	■								
0092N	■	■	■	■	■	■	■	■	■	■	■	■	■
Weight (gr)	25	45	50	85	140	260	325	425	625	1000	1400	2550	4000
L	23	28	27	34	40	48	51	55	66	78	84	117	134
H	20	22	19	25	32	38	43	46	56	65	74	91	111
A1	8	11	11	13	15	18	22	22	23	26	24	26	40
A	10	11	12	14	15	18	21	21	23	26	24	27	32
G - G1	1/8"	1/4"	3/8"	1/2"	3/4"	1"	1 1/4"	1 1/2"	2"	2 1/2"	3"	4"	5"

0092C



Ottone cromato
Chromium-plated brass

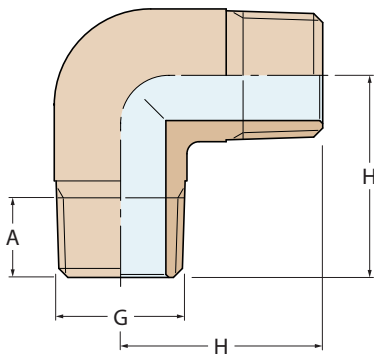
0092N



Ottone nichelato
Nickel-plated brass

0094

Gomito M-M a 90°
90° elbow M-M



FILETTATURE / THREAD :
G = EN 10226/1 (BS 21)



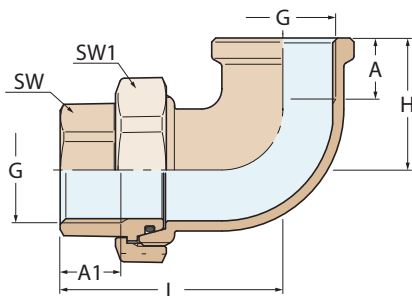
Ottone sabbbiato
Yellow brass

0094

0094	■	■
Weight (gr)	90	130
H	33.5	39
A	13	14.5
G	1/2"	3/4"

0096

Bocchettone a 90° F-F sede conica con O-ring
90° union F-F tapered seat with O-ring



* Senza O-ring
Without O-ring
FILETTATURE / THREAD :
G = ISO 228/1 (BS 2779)



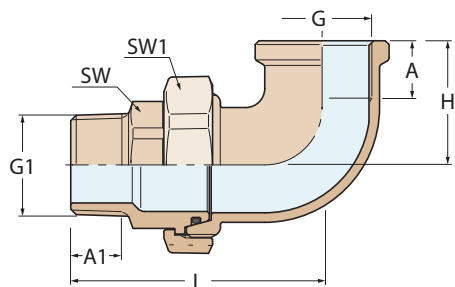
Ottone sabbbiato
Yellow brass

0096	■	■	■	■	■	■	■
Weight (gr)	160	250	360	490	765	880	1335
SW1	35	42	48	56	65	71	87
SW	22	26	32	38	46	53	66
L	45	56	60	68	80	83	93
H	22	28	33	39	44	46	55
A1	12	14	15	18	21	21	24
A	12	14	15	18	21	21	23
G	*3/8"	1/2"	3/4"	1"	1 1/4"	1 1/2"	2"

raccorderia ottone pipe fittings brass

0098

Bocchettone a 90° M-F sede conica con O-ring
90° union M-F tapered seat with O-ring



* Senza O-ring
Without O-ring
FILETTATURE / THREAD :
G = ISO 228/1 (BS 2779)
G1 = EN 10226/1 (BS 21)



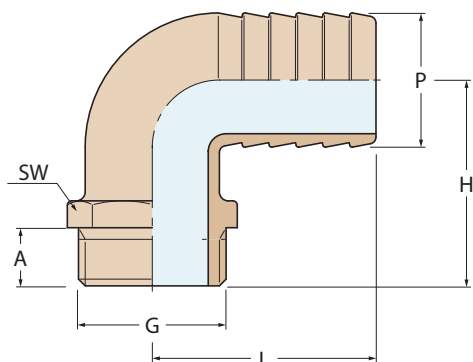
Ottone sabbiato
Yellow brass

0098	■	■	■	■	■	■	■	■
Weight (gr)	175	270	395	530	900	990	1500	
SW1	35	42	48	56	65	71	87	
SW	22	26	32	38	47	53	65	
L	58	72	79	90	105	108	120	
H	22	28	33	39	44	46	55	
A1	13	16	19	20	24	25	27	
A	12	14	15	18	21	21	23	
G - G1	*3/8"	1/2"	3/4"	1"	1 1/4"	1 1/2"	2"	

0110

Portagomma M a 90°
90° hose connector M

Omologato RINA
RINA validated



FILETTATURE / THREAD :
G = ISO 228/1 (BS 2779)



Ottone sabbiato
Yellow brass

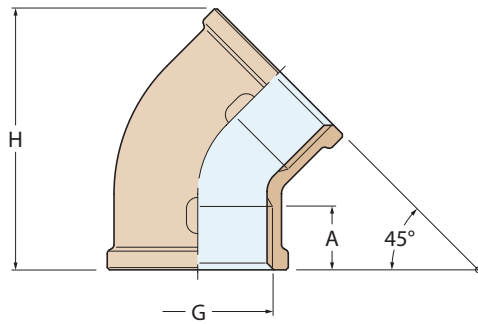
0110	■	■	■	■	■	■	■	■	■
Weight (gr)	45	45	45	50	85	90	90	80	83
SW	16	16	16	19	23	23	23	23	23
L	40	40	40	38	41	40	41	41	41
H	25	25	25	30	32	32	32	32	32
A	9	9	9	10	13	12	13	12	12
P	8	10	12	15	10	12	16	19	20
G	1/4"	1/4"	1/4"	3/8"	1/2"	1/2"	1/2"	1/2"	1/2"

0110	■	■	■	■	■	■	■	■	■	■	
Weight (gr)	120	130	150	184	195	395	407	400	400	450	620
SW	30	30	36	36	36	45	45	53	53	53	65
L	50	50	53	53	53	65	65	65	65	70	75
H	36	36	39	41	41	49	49	52	52	54	60
A	12	12	13	13	13	14	14	15	15	15	16.5
P	20	25	25	30	32	38	40	38	40	45	50
G	3/4"	3/4"	1"	1"	1"	1 1/4"	1 1/4"	1 1/2"	1 1/2"	1 1/2"	2"

raccorderia ottone pipe fittings brass

0120

Gomito a 45° F-F
45° elbow F-F



FILETTATURE / THREAD :
G = ISO 228/1 (BS 2779)



Ottone sabbato
Yellow brass

0120	■	■	■	■	■	■	■	■	■	■
0120N	■	■	■	■	■	■	■	■	■	■
Weight (gr)	65	85	100	155	235	290	380	845	1425	2275
H	36	48	50	59	71.5	75	92	107	124	155
A	11.5	11	16.5	19	21.5	21.5	23	24	28	30
G	3/8"	1/2"	3/4"	1"	1"1/4	1"1/2	2"	2"1/2	3"	4"

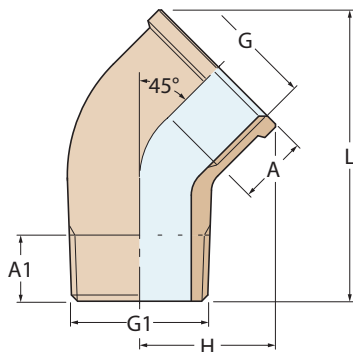
0120N



Ottone nichelato
Nickel-plated brass

0121

Gomito a 45° M-F
45° elbow M-F



FILETTATURE / THREAD :
G = ISO 228/1 (BS 2779)
G1 = EN 10226/1 (BS 21)



Ottone sabbato
Yellow brass

0121	■	■	■	■	■	■	■	■	■	■
0121N	■	■	■	■	■	■	■	■	■	■
Weight (gr)	52	82	115	193	290	375	520	830	1445	2290
L	51	55	63	72	72	78	105	116	129	156
H	22	25	28	34	41	46	54	62	69	85
A1	11	13	15	17	19	19	23	26.7	29.8	35.8
A	12	15	16	18	21.5	21.5	24	27	28	30.5
G - G1	3/8"	1/2"	3/4"	1"	1"1/4	1"1/2	2"	2"1/2	3"	4"

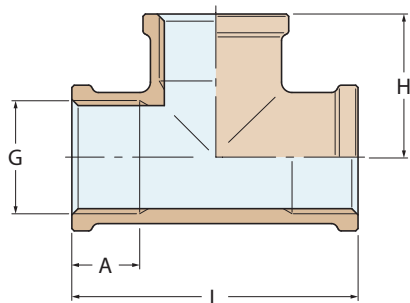
0121N



Ottone nichelato
Nickel-plated brass

0130

Raccordo a "T" F-F-F
Equal "T" F-F-F



FILETTATURE / THREAD :
G = ISO 228/1 (BS 2779)



Ottone sabbato
Yellow brass

0130	■	■	■	■	■	■	■	■	■	■	■		
0130C			■	■	■	■							
0130N	■	■	■	■	■	■	■	■	■	■	■		
Weight (gr)	45	60	100	110	180	260	390	580	870	1450	1850	3100	5500
L	39	42	47	49	60	70	85	96	115	140	149	184	223
H	19	21	24	25	30	35	43	48	57	69	75	90	112
A	10	11	12	13	16	18	19	22	24	24	25	29	33
G	1/8"	1/4"	3/8"	1/2"	3/4"	1"	1"1/4	1"1/2	2"	2"1/2	3"	4"	5"

0130C



Ottone cromato
Chromium-plated brass

0130N



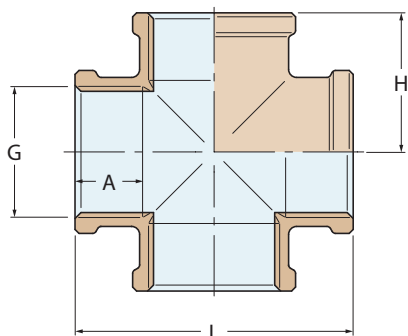
Ottone nichelato
Nickel-plated brass

B1

raccorderia ottone pipe fittings brass

0180

Crociera a 4 vie
Cross-shaped female fitting



FILETTATURE / THREAD :
G = ISO 228/1 (BS 2779)

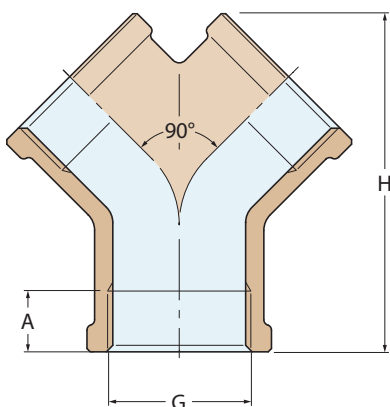


Ottone sabbiato
Yellow brass

0180	3/8"	1/2"	3/4"	1"	1 1/4"	1 1/2"	2"
Weight (gr)	80	125	190	235	435	533	885
L	44	50	60	70	85	94	114
H	22	25	30	35	42	47	57
A	12	13	16	18	21	22	25
G	3/8"	1/2"	3/4"	1"	1 1/4"	1 1/2"	2"

0220

Distributore a 3 vie
Y-shaped connector



FILETTATURE / THREAD :
G = ISO 228/1 (BS 2779)

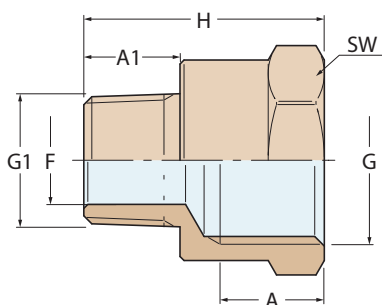


Ottone sabbiato
Yellow brass

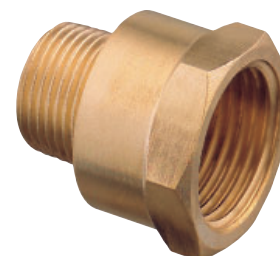
0220	3/8"	1/2"	3/4"	1"	1 1/4"	1 1/2"
Weight (gr)	66	115	145	220	375	475
H	47	54	64	73	91	98
A	12	15	16	19	21	21
G	3/8"	1/2"	3/4"	1"	1 1/4"	1 1/2"

0246

Nipples ridotto F-M
Reducing nipple F-M



FILETTATURE / THREAD :
G = ISO 228/1 (BS 2779)
G1 = EN 10226/1 (BS 21)



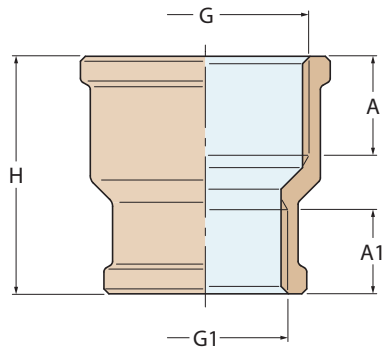
Ottone sabbiato
Yellow brass

0246	1/4"	3/8"	1/2"	3/4"	1"	1 1/4"	1 1/2"	2"					
Weight (gr)	15	20	38	40	49	50	60	85	90	140	150	205	300
SW	16	20	25	25	30	30	30	38	38	47	47	53	66
F	6	9	9	12	9	12	15	15	20	20	26	34	40
H	20.5	24.5	28	28.5	30	30.5	34	37	38.5	41.5	44	46.5	55
A1	7.5	11	11	11.5	11	11.5	15	15	16.5	16.5	19	21.5	21.5
A	9.5	10	13	13	15	14.5	14.5	17	17	19	19	19	23.5
G1	1/8"	1/4"	1/4"	3/8"	1/4"	3/8"	1/2"	1/2"	3/4"	3/4"	1"	1 1/4"	1 1/2"
G	1/4"	3/8"	1/2"	1/2"	3/4"	3/4"	3/4"	1"	1"	1 1/4"	1 1/4"	1 1/2"	2"

raccorderia ottone pipe fittings brass

0240

Manicotto ridotto F-F
Reducing socket F-F



FILETTATURE / THREAD :
G - G1 = ISO 228/1 (BS 2779)



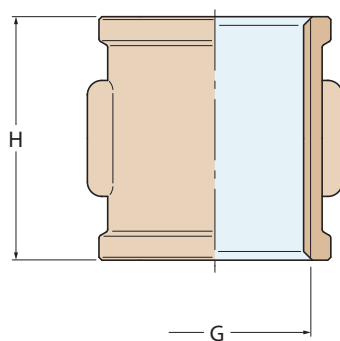
0240	1/8"	1/8"	1/4"	1/4"	3/8"	3/8"	1/2"	1/2"	3/4"
Weight (gr)	20	27	27	42	44	70	78	105	115
H	25	26	26	31	31	36	36	42	42
A1	10	10	11	11	12	13	13	15	16
A	11	12	12	12	12	15	15	19	19
G1	1/8"	1/8"	1/4"	1/4"	3/8"	3/8"	1/2"	1/2"	3/4"
G	1/4"	3/8"	3/8"	1/2"	1/2"	3/4"	3/4"	1"	1"

0240	1"	1"	1 1/4"	1 1/4"	1 1/2"	2"	
Weight (gr)	170	180	215	235	295	315	570
H	48	48	53	53	54	54	65
A1	18	19	19	22	20	20	25
A	20	20	22	22	23	23	30
G1	3/4"	1"	1"	1 1/4"	1 1/4"	1 1/2"	2"
G	1 1/4"	1 1/4"	1 1/2"	1 1/2"	2"	2"	2 1/2"

Ottone sabbiato
Yellow brass

0270

Manicotto femmina
Equal socket F



FILETTATURE / THREAD :
G = ISO 228/1 (BS 2779)

0270	1/8"	1/4"	3/8"	1/2"	3/4"	1"	1 1/4"	1 1/2"	2"	2 1/2"	3"	4"
0270C												
0270N												
Weight (gr)	20	25	40	63	83	140	200	250	395	540	1010	1390
H	18	28	32	32	36	43.5	47	52	65	63	71	77
G	1/8"	1/4"	3/8"	1/2"	3/4"	1"	1 1/4"	1 1/2"	2"	2 1/2"	3"	4"

Ottone sabbiato
Yellow brass

0270C



Ottone cromato
Chromium-plated brass

0270N



Ottone nichelato
Nickel-plated brass

raccorderia ottone pipe fittings brass

0241

Riduzione M-F
Bushing M-F

Fig. 1

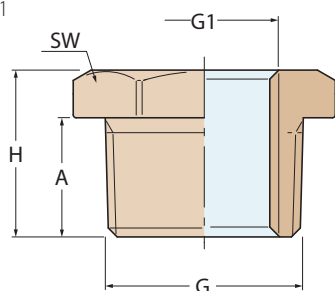
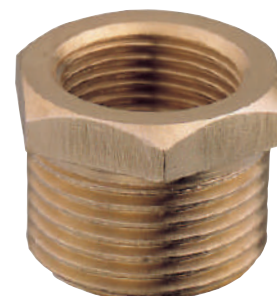
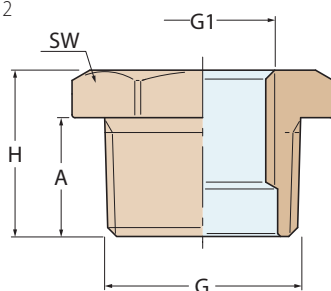


Fig. 2



FILETTATURE / THREAD :
G - G1 = EN 10226/1 (BS 21)

0241	■	■	■	■	■	■	■	■	■	■	■
0241C			■			■					■
0241N						■	■	■	■	■	■
Fig.	1	2	1	2	2	1	2	2	2	1	
Weight (gr)	10	20	15	37	35	25	65	60	50	40	
SW	16	19	19	22	22	22	28	28	28	28	
H	16	17.5	17.5	21	21	21	23	23	23	23	
A	11	11.5	11.5	15	15	15	16.5	16.5	16.5	16.5	
G1	1/8"	1/8"	1/4"	1/8"	1/4"	3/8"	1/8"	1/4"	3/8"	1/2"	
G	1/4"	3/8"	3/8"	1/2"	1/2"	1/2"	3/4"	3/4"	3/4"	3/4"	

Ottone sabbiato
Yellow brass ■

0241C



Ottone cromato
Chromium-plated brass ■

0241N



Ottone nichelato
Nickel-plated brass ■

0241	■	■	■	■	■	■	■	■	■	■	■	■
0241N	■	■	■	■			■	■	■			■
Fig.	2	2	2	1	2	2	2	2	2	2	2	2
Weight (gr)	115	105	95	75	225	215	200	180	140	295	290	280
SW	35	35	35	35	46	46	46	46	46	52	52	52
H	26	26	26	26	29.5	29.5	29.5	29.5	29.5	30.5	30.5	30.5
A	19	19	19	19	21.5	21.5	21.5	21.5	21.5	21.5	21.5	21.5
G1	1/4"	3/8"	1/2"	3/4"	1/4"	3/8"	1/2"	3/4"	1"	1/4"	3/8"	1/2"
G	1"	1"	1"	1"	1 1/4"	1 1/4"	1 1/4"	1 1/4"	1 1/4"	1 1/2"	1 1/2"	1 1/2"

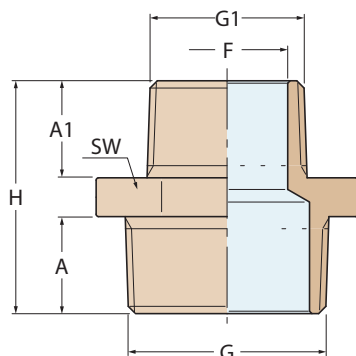
0241	■	■	■	■	■	■	■	■	■	■	■	■
0241N	■	■	■				■	■	■	■	■	
Fig.	2	2	1	2	2	2	2	2	2	2	2	2
Weight (gr)	250	220	150	510	500	490	470	435	370	315	770	700
SW	52	52	52	65	65	65	65	65	65	65	80	80
H	30.5	30.5	30.5	35.5	35.5	35.5	35.5	35.5	35.5	35.5	37	37
A	21.5	21.5	21.5	25.5	25.5	25.5	25.5	25.5	25.5	25.5	26	26
G1	3/4"	1"	1 1/4"	1/4"	3/8"	1/2"	3/4"	1"	1 1/4"	1 1/2"	1"	1 1/4"
G	1 1/2"	1 1/2"	1 1/2"	2"	2"	2"	2"	2"	2"	2"	2 1/2"	2 1/2"

0241	■	■	■	■	■	■	■	■	■			
Fig.	2	2	2	2	2	2	2	2	2			
Weight (gr)	640	490	1170	890	617	1860	1600	1330	2000			
SW	80	80	93	93	93	122	122	122	148			
H	37	37	40.5	40.5	40.5	47	47	47	53.5			
A	26	26	28.5	28.5	28.5	34	34	34	38.5			
G1	1 1/2"	2"	1"	2"	2 1/2"	2"	2 1/2"	3"	4"			
G	2 1/2"	2 1/2"	3"	3"	3"	4"	4"	4"	5"			

raccorderia ottone pipe fittings brass

0245

Niples doppio ridotto M-M
Reducing nipple M-M



FILETTATURE / THREAD :
G - G1 = EN 10226/1 (BS 21)

0245	■	■	■	■	■	■	■	■	■	■	■	■	■	
0245C					■				■				■	
0245N					■				■			■	■	
Weight (gr)	15	25	25	35	40	40	55	60	65	90	90	100	105	170
SW	16	19	19	22	22	22	28	28	28	35	35	35	35	46
F	6	6	9	6	9	12	9	12	15	9	12	15	20	15
H	23.5	25	28.5	28.5	32	32.5	34	34.5	38	37	37.5	41	42.5	44.5
A1	7.5	7.5	11	7.5	11	11.5	11	16.5	15	11	11.5	15	19	15
A	11	11.5	11.5	15	15	15	16.5	16.5	16.5	19	19	19	19	21.5
G1	1/8"	1/8"	1/4"	1/8"	1/4"	3/8"	1/4"	3/8"	1/2"	1/4"	3/8"	1/2"	3/4"	1/2"
G	1/4"	3/8"	3/8"	1/2"	1/2"	1/2"	3/4"	3/4"	3/4"	1"	1"	1"	1"	1 1/4"



0245	■	■	■	■	■	■	■	■	■	■	■	■	■
0245N			■							■			
Weight (gr)	175	185	215	220	230	240	370	380	385	580	850	860	1500
SW	46	46	52	52	52	52	65	65	65	80	93	93	122
F	20	26	15	20	26	34	26	34	40	51	51	65	76
H	46	48.5	45.5	47	49.5	52	54.5	57	57	62.5	66	66.5	75.5
A1	16.5	19	16.5	19	15	16.5	19	21.5	21.5	25.5	25.5	26	28.5
A	21.5	21.5	21.5	21.5	21.5	21.5	25.5	25.5	25.5	26	28.5	28.5	34
G1	3/4"	1"	1/2"	3/4"	1"	1 1/4"	1"	1 1/4"	1 1/2"	2"	2"	2 1/2"	3"
G	1 1/4"	1 1/4"	1 1/2"	1 1/2"	1 1/2"	1 1/2"	2"	2"	2"	2 1/2"	3"	3"	4"

Ottone sabbato ■
Yellow brass

0245C

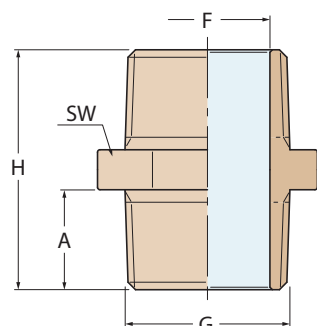


Ottone cromato ■
Chromium-plated brass

0245N



Ottone nichelato ■
Nickel-plated brass



FILETTATURE / THREAD :
G = EN 10226/1 (BS 21)

0280	■	■	■	■	■	■	■	■	■	■	■	■	■
0280C			■	■	■	■							
0280N			■	■	■	■	■	■	■				
Weight (gr)	10	20	25	45	70	115	200	230	395	600	890	1440	2270
SW	13	16	19	22	28	35	46	52	65	80	93	122	148
F	6	9	12	15	20	26	34	40	51	65	76	101	125
H	19.5	27	29	36	39.5	45	51	52	61	63	69	81	92
A	7.5	11	11.5	15	16.5	19	21.5	21.5	25.5	26	28.5	34	38.5
G	1/8"	1/4"	3/8"	1/2"	3/4"	1"	1 1/4"	1 1/2"	2"	2 1/2"	3"	4"	5"

0280

Niples doppio
Nipple M-M



Ottone sabbato ■
Yellow brass

0280C



Ottone cromato ■
Chromium-plated brass

0280N



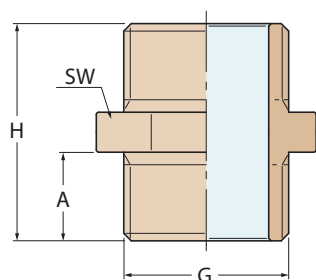
Ottone nichelato ■
Nickel-plated brass

B1

raccorderia ottone pipe fittings brass

0280D

Nipples doppio filettatura cilindrica
Nipple M-M parallel thread



FILETTATURE / THREAD :
G = ISO 228/1 (BS 2779)

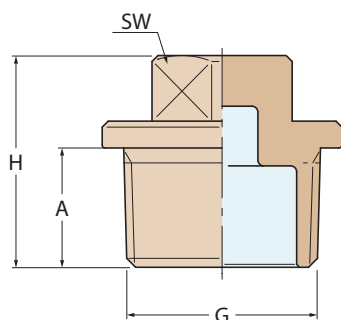
0280D	■	■	■	■	■	■	■
Weight (gr)	22	35	55	90	160	195	305
SW	19	22	28	35	46	52	65
H	25	30	30.5	35	40	41	46
A	10	12	12	14	16	16	18
G	3/8"	1/2"	3/4"	1"	1 1/4"	1 1/2"	2"



Ottone sabbato
Yellow brass ■

0290

Tappo maschio
Plug M



FILETTATURE / THREAD :
G = EN 10226/1 (BS 21)

0290	■	■	■	■	■	■	■	■	■	■	■	
0290C			■	■	■	■						
0290N		■	■	■	■	■	■	■				
Weight (gr)	10	13	20	35	65	120	160	200	310	485	750	1300
SW	8	8	10	13	17	19	23	23	27	34	45	50
H	14	18.5	19.5	24	27	30	34.5	35	39.5	45	48.5	54.5
A	7.5	11	11.5	15	16.5	19	21.5	21.5	25.5	25.5	28.5	34
G	1/8"	1/4"	3/8"	1/2"	3/4"	1"	1 1/4"	1 1/2"	2"	2 1/2"	3"	4"



Ottone sabbato
Yellow brass ■

0290C



Ottone cromato
Chromium-plated brass ■

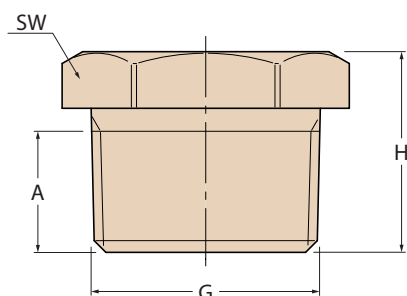
0290N



Ottone nichelato
Nickel-plated brass ■

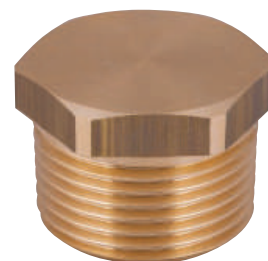
50290

Tappo speciale maschio
Special plug M



FILETTATURE / THREAD :
G = EN 10226/1 (BS 21)

50290	■	■	■	■	■	■	■	■	
Weight (gr)	10	20	35	60	100	190	350	500	870
SW	13	16	19	22	28	35	45	55	65
H	12	16	17.5	21	23	26	29.5	30.5	35.5
A	7.5	11	11.5	15	16.5	19	21.5	21.5	25.5
G	1/8"	1/4"	3/8"	1/2"	3/4"	1"	1 1/4"	1 1/2"	2"

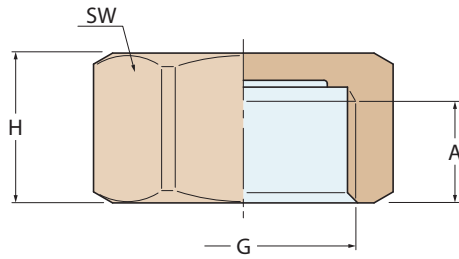


Ottone sabbato
Yellow brass ■

raccorderia ottone pipe fittings brass

0300

Tappo femmina
Cap F



Ottone sabbbiato
Yellow brass

FILETTATURE / THREAD :
G = ISO 228/1 (BS 2779)

0300	■	■	■	■	■	■	■	■	■	■	■	■
0300C			■	■	■	■						
0300N			■	■	■	■	■	■				
Weight (gr)	10	15	20	40	60	110	180	215	350	500	900	1500
SW	13	16	20	25	32	38	47	53	66	82	98	125
H	9,5	13,5	14	18	20	23	25,5	25,5	30	35	39	45
A	8	10	10	13	15	17	19	19	23,5	28	31	36
G	1/8"	1/4"	3/8"	1/2"	3/4"	1"	1"1/4"	1"1/2"	2"	2"1/2"	3"	4"

0300C



Ottone cromato
Chromium-plated brass

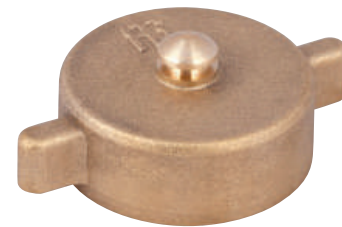
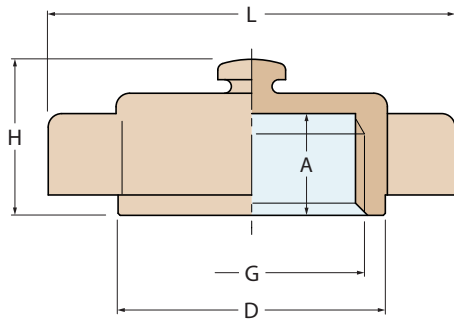
0300N



Ottone nichelato
Nickel-plated brass

5008

Tappo femmina speciale con alette
Special cap with flaps



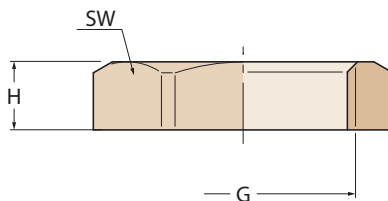
Ottone sabbbiato
Yellow brass

FILETTATURE / THREAD :
G = ISO 228/1 (BS 2779)

5008	■	■	■									
Weight (gr)	150	260	370									
L	76	90	107									
H	29	30	32									
A	15,5	17	18									
D	52	66	72									
G	1"1/2	2"	2"1/2									

0310

Controdado piano
Lock nut



Ottone sabbbiato
Yellow brass

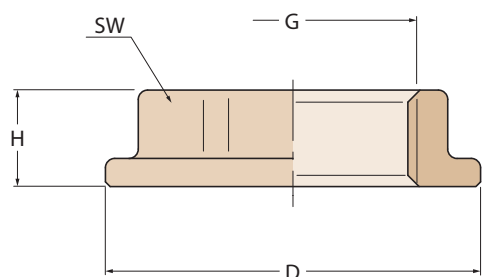
FILETTATURE / THREAD :
G = ISO 228/1 (BS 2779)

0310	■	■	■	■	■	■	■	■	■	■	■	■
Weight (gr)	7	10	15	30	40	70	120	150	190	250	310	485
SW	16	19	23	30	35	44	55	62	74	92	105	132
H	6	6	8	8	9	10	12	12	12	12	12	13,5
G	1/8"	1/4"	3/8"	1/2"	3/4"	1"	1"1/4"	1"1/2"	2"	2"1/2"	3"	4"

raccorderia ottone pipe fittings brass

1141

Dado flangiato serie leggera
Flanged lock nut light series



FILETTATURE / THREAD :
G = ISO 228/1 (BS 2779)

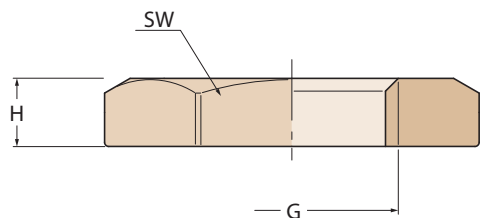
1141	■	■	■	■	■	■	■	■
Weight (gr)	13	20	35	60	75	70	85	140
SW	20	25	30	38	46	46	52	66
H	7	7.5	11	11.5	11.5	11.5	12	12
D	30	36	40	50	59	59	66	82
G	3/8"	1/2"	3/4"	1"	1"1/8	1"1/4	1"1/2	2"



Ottone sabbiato
Yellow brass ■

1142

Dado esagonale serie leggera
Exagonal nut light series



FILETTATURE / THREAD :
G = ISO 228/1 (BS 2779)

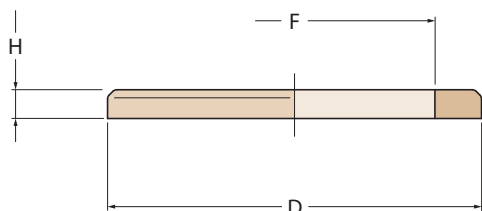
1142	■	■	■	■	■	■	■
Weight (gr)	13	17	25	35	60	80	115
SW	23	26	32	38	49	56	68
H	6.5	8	9	9.5	10	11	11
G	3/8"	1/2"	3/4"	1"	1"1/4	1"1/2	2"



Ottone sabbiato
Yellow brass ■

1143

Rondella serie leggera
Washer light series



1143	■	■	■	■	■	■	■
Weight (gr)	2	3	8	13	20	30	50
H	2	2	2.5	3	3	4	5
D	22	26	33	38	48	55	64
F	13	17	22	27	34	43	49
Ref.	1/4"	3/8"	1/2"	3/4"	1"	1"1/4	1"1/2

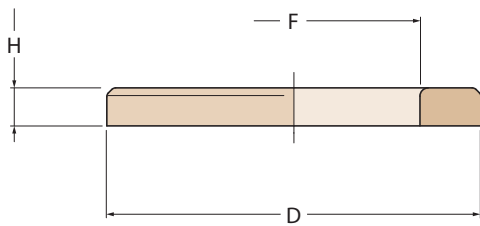


Ottone sabbiato
Yellow brass ■

raccorderia ottone pipe fittings brass

1144

Rondella serie pesante
Washer heavy series

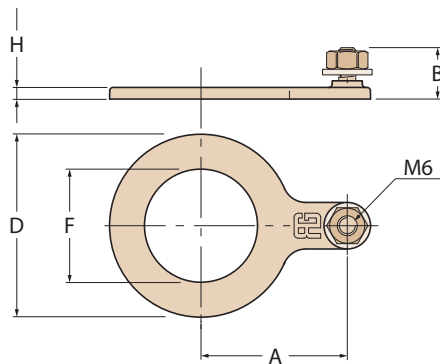


Ottone sabbiato
Yellow brass

1144	3/8"	1/2"	3/4"	1"	1 1/4"	1 1/2"	2"	2 1/2"	3"	4"
Weight (gr)	12	18	32	40	60	85	130	255	285	355
H	2.5	3	3.5	3.5	4.5	5	5.5	6	6	6
D	33	37	47	55	64	72	85	110	123	150
F	18	22	28	34	43	49	60.5	76	89	115
Ref.	3/8"	1/2"	3/4"	1"	1 1/4"	1 1/2"	2"	2 1/2"	3"	4"

1145

Rondella con attacco per cavo
Washer with connection for cable



FILETTATURE / THREAD :
G = ISO 228/1 (BS 2779)

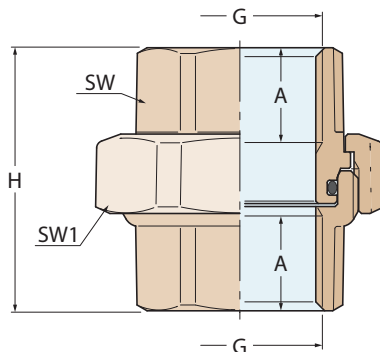


Ottone sabbiato
Yellow brass

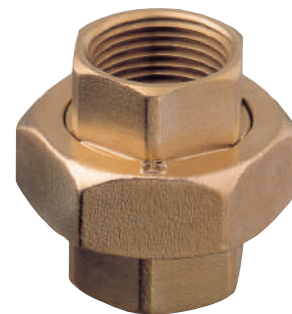
1145	3/8"	1/2"	3/4"	1"	1 1/4"	1 1/2"	2"	2 1/2"	3"	4"
Weight (gr)	28	35	51	59	82	108	154	281	311	381
H	2.5	3	3.5	3.5	4.5	5	5.5	6	6	6
A	33	36	41	44	49	53	61	73	79	92
B	14	14.5	15	15.5	16	16.5	17	17.5	17.5	17.5
F	18	22	28	34	43	49	60.5	76	89	115
D	33	38	48	55	64	72	88	112	124	150
Ref.	3/8"	1/2"	3/4"	1"	1 1/4"	1 1/2"	2"	2 1/2"	3"	4"

0340

Bocchettone femmina sede conica con O-ring
Union F-F tapered seat with O-ring



* Senza O-ring
Without O-ring
FILETTATURE / THREAD :
G = EN 10226/1 (BS 21)



Ottone sabbiato
Yellow brass

0340	3/8"	1/2"	3/4"	1"	1 1/4"	1 1/2"	2"	2 1/2"	3"	4"		
Weight (gr)	61	95	135	210	285	365	510	670	1000	1600	1900	2750
SW1	24	30	35	39	45	53	63	70	84	103	118	147
SW	14	18	22	25	31	38	47	54	67	82	95	122
H	34	37	40	45	47	53	58	59	69	75	82	90
A	9	11	12	15	16.3	19.1	21.4	21.4	25.7	28	30	33
G	*1/8"	*1/4"	*3/8"	1/2"	3/4"	1"	1 1/4"	1 1/2"	2"	2 1/2"	3"	4"

0340N

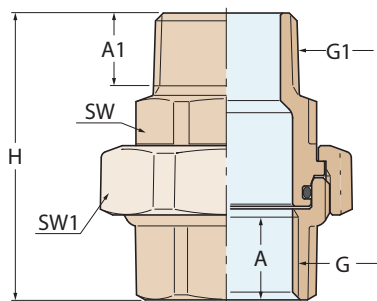


Ottone nichelato
Nickel-plated brass

raccorderia ottone pipe fittings brass

0341

Bocchettone M-F sede conica con O-ring
Union M-F tapered seat with O-ring



* Senza O-ring
Without O-ring
FILETTATURE / THREAD :
G1 = EN 10226/1 (BS 21)

0341	1/8"	1/4"	3/8"	1/2"	3/4"	1"	1 1/4"	1 1/2"	2"	2 1/2"	3"	4"
0341N												
Weight (gr)	65	115	150	230	315	405	650	775	1170	1770	2100	3000
SW1	24	30	35	39	45	53	63	70	84	103	118	147
SW	14	18	22	25	31	38	47	54	67	82	95	122
H	42	48	53	57	63	68	73	74	87	98	106	119
A1	9	11	13	13.2	14.5	16.8	19.1	19.1	23.4	26.7	29.8	35.8
A	9	11	12	15	16.3	19.1	21.4	21.4	25.7	28	30	33
G - G1	*1/8"	*1/4"	*3/8"	1/2"	3/4"	1"	1 1/4"	1 1/2"	2"	2 1/2"	3"	4"



Ottone sabbiato
Yellow brass

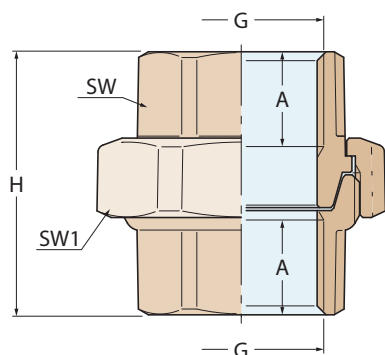
0341N



Ottone nichelato
Nickel-plated brass

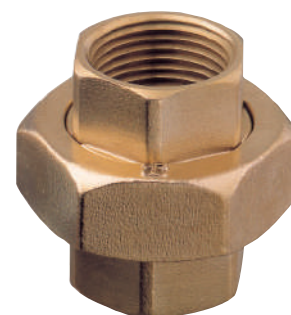
0350

Bocchettone femmina sede conica
Union F-F tapered seat



FILETTATURE / THREAD :
G = EN 10226/1 (BS 21)

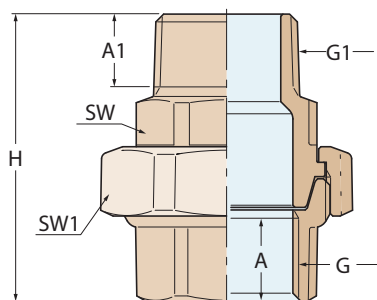
0350	1/2"	3/4"	1"	1 1/4"	1 1/2"	2"
Weight (gr)	210	285	365	510	670	1000
SW1	39	45	53	63	70	84
SW	25	31	38	47	54	67
H	45	47	53	58	59	69
A	15	16.3	19.1	21.4	21.4	25.7
G	1/2"	3/4"	1"	1 1/4"	1 1/2"	2"



Ottone sabbiato
Yellow brass

0351

Bocchettone M-F sede conica
Union M-F tapered seat



FILETTATURE / THREAD :
G1 = EN 10226/1 (BS 21)

0351	1/2"	3/4"	1"	1 1/4"	1 1/2"	2"
Weight (gr)	230	315	405	650	775	1170
SW1	39	45	53	63	70	84
SW	25	31	38	47	54	67
H	57	63	53	73	74	87
A1	13.2	14.5	16.8	19.1	19.1	23.4
A	15	16.3	19.1	21.4	21.4	25.7
G - G1	1/2"	3/4"	1"	1 1/4"	1 1/2"	2"

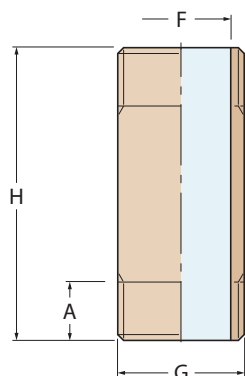


Ottone sabbiato
Yellow brass

raccorderia ottone pipe fittings brass

0530

Barilotto maschio
Barrel nipple male



FILETTATURE / THREAD :
G = EN 10226/1 (BS 21)



Ottone sabbiato
Yellow brass

0530	■	■	■	■	■	■	■	■	■	■	■	■
Weight (gr)	30	40	50	70	90	105	135	145	195	215	35	50
F	10	10	10	10	10	10	10	10	10	10	15	15
A	10	10	10	10	10	10	10	10	10	10	15	15
H	30	40	60	80	100	120	150	160	180	200	30	40
G	3/8"	3/8"	3/8"	3/8"	3/8"	3/8"	3/8"	3/8"	3/8"	3/8"	1/2"	1/2"

0530	■	■	■	■	■	■	■	■	■	■	■	■	
Weight (gr)	60	75	90	100	120	130	160	175	195	205	215	245	275
F	15	15	15	15	15	15	15	15	15	15	15	15	15
A	15	15	15	15	15	15	15	15	15	15	15	15	15
H	50	60	70	80	90	100	120	130	140	150	160	180	200
G	1/2"	1/2"	1/2"	1/2"	1/2"	1/2"	1/2"	1/2"	1/2"	1/2"	1/2"	1/2"	1/2"

0530	■	■	■	■	■	■	■	■	■	■	■	■
Weight (gr)	75	90	110	135	155	175	195	240	300	320	365	405
F	19	19	19	19	19	19	19	19	19	19	19	19
A	16	16	16	16	16	16	16	16	16	16	16	16
H	40	50	60	70	80	90	100	120	150	160	180	200
G	3/4"	3/4"	3/4"	3/4"	3/4"	3/4"	3/4"	3/4"	3/4"	3/4"	3/4"	3/4"

0530	■	■	■	■	■	■	■	■	■	■	■
Weight (gr)	105	140	165	195	225	285	345	440	515	530	600
F	25	25	25	25	25	25	25	25	25	25	25
A	18	18	18	18	18	18	18	18	18	18	18
H	40	50	60	70	80	100	120	150	160	180	200
G	1"	1"	1"	1"	1"	1"	1"	1"	1"	1"	1"

0530	■	■	■	■	■	■	■	■
Weight (gr)	195	275	355	440	560	600	680	765
F	34	34	34	34	34	34	34	34
A	21	21	21	21	21	21	21	21
H	60	80	100	120	150	160	180	200
G	1 1/4"	1 1/4"	1 1/4"	1 1/4"	1 1/4"	1 1/4"	1 1/4"	1 1/4"

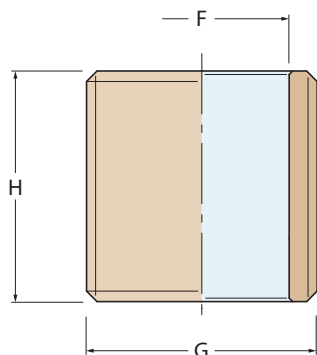
0530	■	■	■	■	■	■	■	■
Weight (gr)	225	375	410	505	645	695	785	880
F	40	40	40	40	40	40	40	40
A	21	21	21	21	21	21	21	21
H	60	80	100	120	150	160	180	200
G	1 1/2"	1 1/2"	1 1/2"	1 1/2"	1 1/2"	1 1/2"	1 1/2"	1 1/2"

0530	■	■	■	■	■	■	■	
Weight (gr)	355	500	645	795	1015	1090	1235	1380
F	50	50	50	50	50	50	50	50
A	25	25	25	25	25	25	25	25
H	60	80	100	120	150	160	180	200
G	2"	2"	2"	2"	2"	2"	2"	2"

raccorderia ottone pipe fittings brass

0531

Niples semplice
Nipple



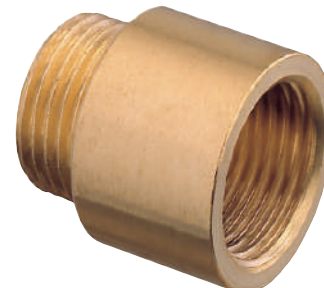
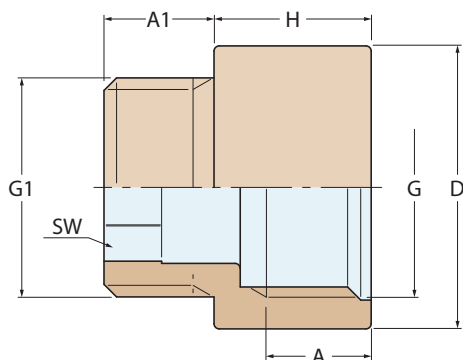
FILETTATURE / THREAD :
G = ISO 228/1 (BS 2779)

0531	■	■	■	■	■	■	■	■	■	■	■
Weight (gr)	5	10	15	30	45	70	110	145	265	460	620
H	20	20	25	30	30	33	40	45	50	60	65
F	6	8	12	15	20	26	34	40	50	65	80
G	1/8"	1/4"	3/8"	1/2"	3/4"	1"	1 1/4"	1 1/2"	2"	2 1/2"	3"

Ottone sabbiato
Yellow brass ■

0550

Prolunga M-F
Extension M-F



FILETTATURE / THREAD :
G - G1 = ISO 228/1 (BS 2779)

0550	■	■	■	■	■	■	■	■	■	■	■	■
0550C											■	■
Weight (gr)	20	30	40	48	55	70	95	110	140	150	35	50
SW	10	10	10	10	10	10	10	10	10	10	12	12
D	22	22	22	22	22	22	22	22	22	22	27	27
A1	10	10	10	10	10	10	10	10	10	10	10	10
A	6.5	11.5	12	12	12	12	12	12	12	12	6.5	11.5
H	10	15	20	25	30	40	50	65	80	100	10	15
G - G1	3/8"	3/8"	3/8"	3/8"	3/8"	3/8"	3/8"	3/8"	3/8"	3/8"	1/2"	1/2"

0550	■	■	■	■	■	■	■	■	■	■	■	■	
0550C	■	■	■										
Weight (gr)	60	70	80	100	125		160	280	290	50	60	75	85
SW	12	12	12	12	12	12	12	12	12	17	17	17	17
D	27	27	27	27	27	27	27	27	27	32	32	32	32
A1	10	10	10	10	10	10	10	10	10	11	11	11	11
A	15	15	15	15	15	15	15	15	15	7	11.5	15	15
H	20	25	30	40	50	60	65	80	100	10	15	20	25
G - G1	1/2"	1/2"	1/2"	1/2"	1/2"	1/2"	1/2"	1/2"	1/2"	3/4"	3/4"	3/4"	3/4"

0550	■	■	■	■	■	■	■	■	■	■	■	■	
Weight (gr)	100	130	160	235	308	75	120	130	140	160	185	245	295
SW	17	17	17	17	17	22	22	22	22	22	22	22	22
D	32	32	32	32	32	40	40	40	40	40	40	40	40
A1	11	11	11	11	11	13	13	13	13	13	13	13	13
A	15	15	15	15	15	6.5	11.5	15	15	15	15	15	15
H	30	40	50	80	100	10	15	20	25	30	40	50	60
G - G1	3/4"	3/4"	3/4"	3/4"	3/4"	1"	1"	1"	1"	1"	1"	1"	1"

Ottone sabbiato
Yellow brass ■

0550C

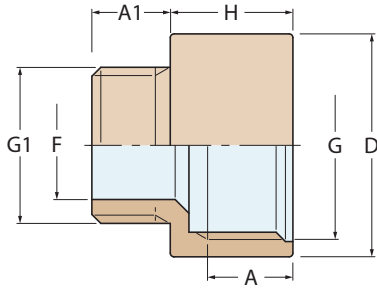


Ottone cromato
Chromium-plated brass ■

raccorderia ottone pipe fittings brass

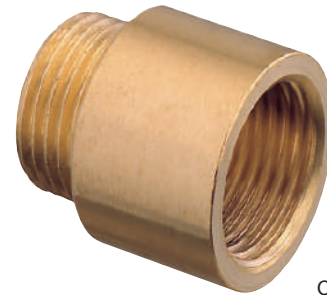
0600

Prolunga ridotta M-F
Reducing extension M-F



FILETTATURE / THREAD :
G - G1 = ISO 228/1 (BS 2779)

0600	■	■	■	■	■	■	■
0600C	■	■	■	■	■	■	■
Weight (gr)	23	38	41	58	65	82	90
H	13	15	15	15	15	16.5	16.5
F	8	8	11	11	12	12	17
D	21	27	27	32	32	40	40
A1	9	9	10	10	10	10	11
A	10.5	10.5	10.5	10.5	12	12.5	12.5
G1	1/4"	1/4"	3/8"	3/8"	1/2"	1/2"	3/4"
G	3/8"	1/2"	1/2"	3/4"	3/4"	1"	1"



Ottone sabbato
Yellow brass ■

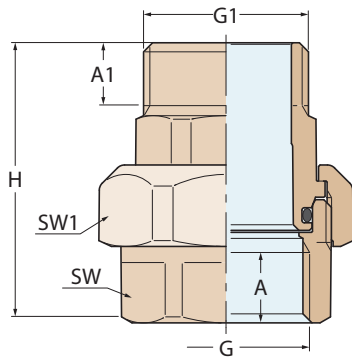
0600C



Ottone cromato
Chromium-plated brass ■

0700

Bocchettone dritto M-F sede conica con O-ring
Straight union M-F tapered seat with O-ring



FILETTATURE / THREAD :
G = ISO 228/1 (BS 2779)

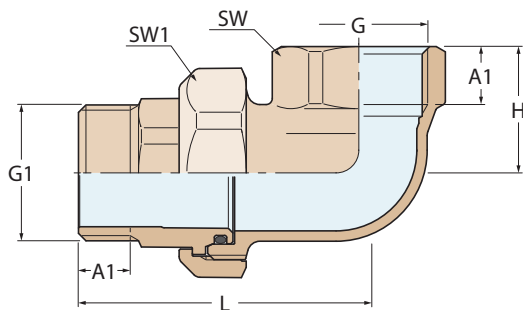
0700	■	■	■	■	■	■	■
Weight (gr)	70	100	150	240	340	450	670
SW1	27	30	38	46	56	63	78
SW	21	25	31	38	47	53	66
H	38	44	48	55	61	65	69
A1	8	10	11	13	14	14.5	16
A	9	11	12	14	15	15.5	17
G - G1	3/8"	1/2"	3/4"	1"	1 1/4"	1 1/2"	2"



Ottone sabbato
Yellow brass ■

0701

Bocchettone a gomito M-F sede conica con O-ring
90° union. M-F tapered seat with O-ring



FILETTATURE / THREAD :
G = ISO 228/1 (BS 2779)

0701	■	■	■	■	■	■	■
Weight (gr)	85	130	210	320	480	620	960
SW1	27	30	38	46	56	63	78
SW	21	25	31	38	47	53	66
L	45	51	59	68	77	84	94
H	18	21	25	31	36	39	47
A1	8	10	11	13	14	14.5	16
A	9	11	12	14	15	15.5	17
G - G1	3/8"	1/2"	3/4"	1"	1 1/4"	1 1/2"	2"



Ottone sabbato
Yellow brass ■

B1

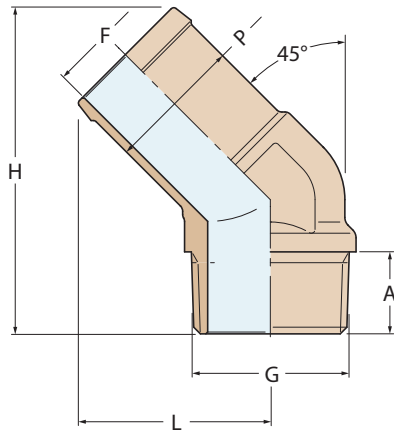
raccorderia ottone pipe fittings brass

0900

Portagomma a 45° maschio
45° hose connector M

Conforme alla norma
Compliant with
UNI EN ISO 9093-1

Omologato RINA
RINA validated



FILETTATURE / THREAD :
G = EN 10226/1 (BS 21)

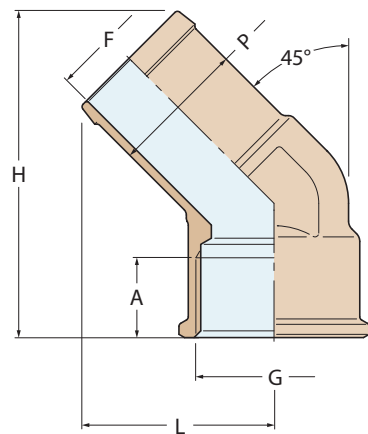
Ottone sabbiato
Yellow brass

0910

Portagomma a 45° femmina
45° hose connector F

Conforme alla norma
Compliant with
UNI EN ISO 9093-1

Omologato RINA
RINA validated



FILETTATURE / THREAD :
G = EN 10226/1 (BS 21)

Ottone sabbiato
Yellow brass

0900	■	■	■	■
Weight (gr)	100	160	235	285
H	57	68	79	90
L	34	41	47	54
F	15	20	28	33
A	16	17.3	20	22
P	19	25	32	38
G	1/2"	3/4"	1"	1 1/4"

0910	■	■	■	■
Weight (gr)	105	165	240	295
H	57	68	79	90
L	34	41	47	54
F	15	20	28	33
A	15	16.3	19.1	21.4
P	19	25	32	38
G	1/2"	3/4"	1"	1 1/4"

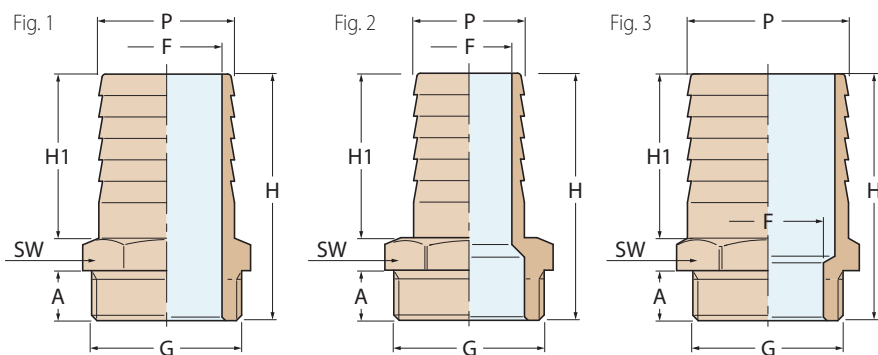
raccorderia ottone pipe fittings brass

1004

Portagomma maschio
Hose connector M

Omologato RINA
RINA validated

Conforme alla norma
Compliant with
UNI EN ISO 9093-1



FILETTATURE / THREAD :
G = ISO 228/1 (BS 2779)



Ottone sabbiato
Yellow brass

1004N



Ottone nichelato
Nickel-plated brass

1004	■	■	■	■	■	■	■	■	■	■	■	■	■	
Fig.	2	2	1	2	2	2	2	1	3	3	2	2	2	2
Weight (gr)	8	10	12	12	14	19	20	24	30	30	22	25	27	29
SW	13	13	13	16	16	16	16	16	19	19	19	19	19	19
H	37.5	37.5	42.5	39	39	44	44	44	44	44	41	41	46	46
H1	25	25	30	25	25	30	30	30	30	30	25	25	30	30
A	8	8	8	9	9	9	9	9	9	9	10	10	10	10
F	3	4	6	3	4	6	8	9	9	9	3	4	6	8
P	6	8	10	6	8	10	12	13	16	17	6	8	10	12
G	1/8"	1/8"	1/8"	1/4"	1/4"	1/4"	1/4"	1/4"	1/4"	1/4"	3/8"	3/8"	3/8"	3/8"

1004	■	■	■	■	■	■	■	■	■	■	■	■	■	■	■	■	■	■	■	■	■	■	
1004N	■	■	■	■	■	■	■	■	■	■	■	■	■	■	■	■	■	■	■	■	■	■	
Fig.	2	2	2	1	3	3	2	2	2	2	2	2	2	2	2	1	3	3	3	3	2	2	2
Weight (gr)	30	31	32	35	38	47	34	35	40	40	40	45	45	50	50	50	50	55	55	80	60	65	65
SW	19	19	19	19	19	19	22	22	22	22	22	22	22	22	22	22	22	22	22	28	30	30	30
H	46	46	46	46	46	46	43	43	48	48	48	48	48	48	48	48	48	48	48	54	48.5	48.5	48.5
H1	30	30	30	30	30	30	25	25	30	30	30	30	30	30	30	30	30	30	30	36	30	30	30
A	10	10	10	10	10	10	12	12	12	12	12	12	12	12	12	12	12	12	12	12	12	12	12
F	9	10	11	12	12	12	3	4	6	8	9	10	11	12	14	15	15	15	15	15	9	10	12
P	13	14	15	16	18	20	6	8	10	12	13	14	15	16	18	19	20	21	22	25	13	14	16
G	3/8"	3/8"	3/8"	3/8"	3/8"	3/8"	1/2"	1/2"	1/2"	1/2"	1/2"	1/2"	1/2"	1/2"	1/2"	1/2"	1/2"	1/2"	1/2"	1/2"	3/4"	3/4"	3/4"

1004	■	■	■	■	■	■	■	■	■	■	■	■	■	■	■	■	■	■	■	■	■	■	
1004N	■	■	■	■	■	■	■	■	■	■	■	■	■	■	■	■	■	■	■	■	■	■	
Fig.	2	2	2	1	3	3	3	2	2	2	2	3	3	2	2	2	2	2	3	3	3	2	
Weight (gr)	85	85	85	100	100	110	110	115	130	130	130	140	140	145	175	180	185	185	195	215	230	200	
SW	30	30	30	30	30	30	33	36	36	36	36	36	36	46	46	46	46	46	46	46	46	52	
H	48.5	48.5	48.5	54.5	54.5	54.5	60.5	50	56	56	56	62	62	58	58	64	64	64	64	64	64	70	61
H1	30	30	30	36	36	36	42	30	36	36	36	42	42	36	36	42	42	42	42	42	42	48	36
A	12	12	12	12	12	12	13	13	13	13	13	13	13	14	14	14	14	14	14	14	14	14	16
F	15	15.5	17.5	20	20	20	20	15.5	20	23	25	26	26	20	25	26.5	29.5	32.5	33.5	34	34	34	20
P	19	20	22	25	28	30	32	20	25	28	30	32	35	25	30	32	35	38	39	40	42	45	25
G	3/4"	3/4"	3/4"	3/4"	3/4"	3/4"	3/4"	1"	1"	1"	1"	1"	1"	1"	1 1/4"	1 1/4"	1 1/4"	1 1/4"	1 1/4"	1 1/4"	1 1/4"	1 1/4"	1 1/2"

1004	■	■	■	■	■	■	■	■	■	■	■	■	■	■	■	■	■	■	■	■	■	■	
Fig.	2	2	2	2	2	2	3	2	2	2	3	3	2	2	2	2	3	2	2	3	2	2	2
Weight (gr)	225	230	250	250	250	275	300	350	390	400	430	440	530	530	580	600	620	840	880	940	1700	2300	3000
SW	52	52	52	52	52	52	65	65	65	65	65	65	80	80	80	80	80	95	95	95	122	122	148
H	67	67	67	67	67	73	73	74	74	74	78.5	78.5	81.5	81.5	81.5	81.5	93	96	100	100	116	116	142
H1	42	42	42	42	42	48	48	48	48	48	52.5	52.5	52.5	52.5	52.5	52.5	64	64	68	68	80	80	100
A	16	16	16	16	16	16	16	16	16	16	16	16	18	18	18	18	18	20	20	20	22	22	27
F	26.5	29.5	32.5	33.5	34.5	39	40	39	44	46	51	51	53.5	56.5	58	62	65	68	72	76	90	100	113
P	32	35	38	39	40	45	50	45	50	52	60	65	60	63	65	70	75	76	80	90	100	110	125
G	1 1/2"	1 1/2"	1 1/2"	1 1/2"	1 1/2"	1 1/2"	1 1/2"	2"	2"	2"	2"	2"	2"	2 1/2"	2 1/2"	2 1/2"	2 1/2"	2 1/2"	3"	3"	3"	4"	5"

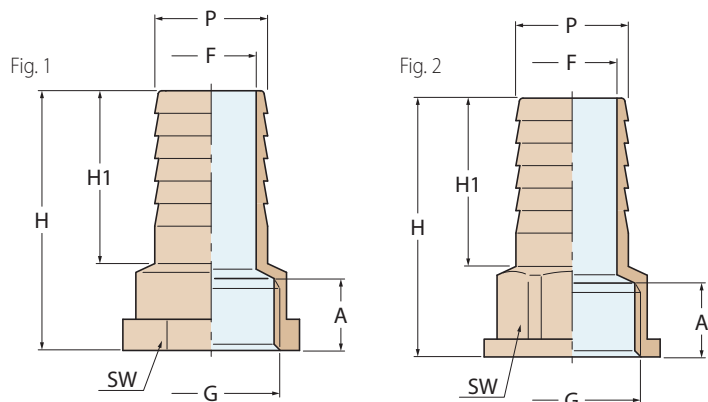
raccorderia ottone pipe fittings brass

1005

Portagomma femmina
Hose connector F

Omologato RINA
RINA validated

Conforme alla norma
Compliant with
UNI EN ISO 9093-1



FILETTATURE / THREAD :
G = ISO 228/1 (BS 2779)

1005	■	■	■	■	■	■	■	■	■	■	■	■
1005N												■
Fig.	1	1	1	1	1	1	1	1	1	1	1	1
Weight (gr)	16	18	20	20	25	27	27	30	30	35	35	40
SW	16	16	16	20	20	20	20	20	20	25	25	25
H	38	43	43	38.5	43.5	43.5	43.5	43.5	43.5	44	44	44
H1	25	30	30	25	30	30	30	30	30	30	30	30
A	11	11	11	11.5	11.5	11.5	11.5	11.5	11.5	12	12	12
F	4	6	9	4	6	8	9	10	11	6	9	11
P	8	10	13	8	10	12	13	14	15	10	13	15
G	1/4"	1/4"	1/4"	3/8"	3/8"	3/8"	3/8"	3/8"	3/8"	1/2"	1/2"	1/2"

Ottone sabbiato
Yellow brass ■

1005N



Ottone nichelato
Nickel-plated brass ■

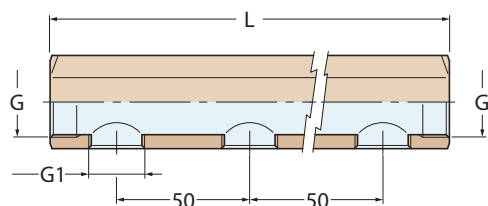
1005	■	■	■	■	■	■	■	■	■	■	■	■
1005N												■
Fig.	1	1	1	1	1	1	2	2	2	2	2	2
Weight (gr)	40	50	50	52	58	60	80	115	130	150	180	190
SW	25	25	30	30	30	30	30	38	38	38	47	47
H	44	44	45.5	45.5	45.5	45.5	51.5	53	53	59	60.5	60.5
H1	30	30	30	30	30	30	36	36	36	42	42	42
A	12	12	13	13	13	13	13	14	14	14	15	15
F	12	15.5	9	12	15	15.5	20	20	25	26.5	26.5	29.5
P	16	20	13	16	19	20	25	25	30	32	32	35
G	1/2"	1/2"	3/4"	3/4"	3/4"	3/4"	3/4"	1"	1"	1"	1 1/4"	1 1/4"

1005	■	■	■	■	■	■	■	■	■	■	■	■
1005N												■
Fig.	2	2	2	2	2	2	2	2	2	2	2	2
Weight (gr)	200	200	220	225	240	255	330	395	510	730		
SW	47	47	53	53	53	53	66	66	78	91		
H	60.5	60.5	60.5	60.5	66.5	66.5	70.5	75	76	94		
H1	42	42	42	42	48	48	48	52.5	52.5	68		
A	15	15	15	15	15	15	19	19	20	22.5		
F	32.5	34.5	32.5	34.5	39	44	44	53.5	62	72		
P	38	40	38	40	45	50	50	60	70	80		
G	1 1/4"	1 1/4"	1 1/2"	1 1/2"	1 1/2"	1 1/2"	2"	2"	2 1/2"	3"		

raccorderia ottone pipe fittings brass

1006

Collettore passante femmina
Manifold F



* A richiesta
On request

FILETTATURE / THREAD :
G - G1 = ISO 228/1 (BS 2779)

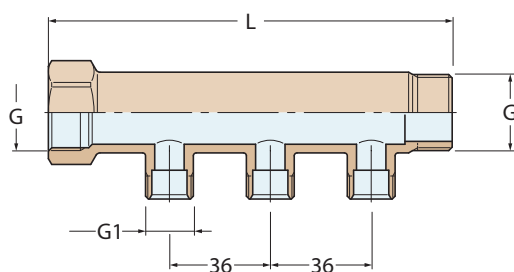


Ottone sabbiato
Yellow brass

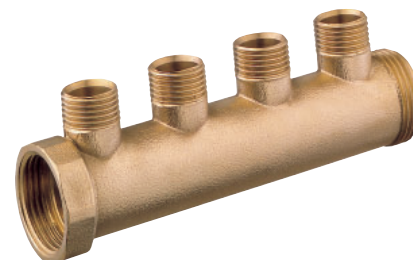
1006												
1"1/4x1/2"	L	100	150	200	250	300	350	400	450	500	550	600
	Weight (gr)	535	820	1110	1400	1685	1970	2260	2550	2830	3120	3400
1"x1/2"	L	100	150	200	250	300	350	400	450	500	550	600
	Weight (gr)	415	645	870	1100	1310	1530	1760	1990	2200	2440	2660
3/4"x1/2"	L	100	150	200	250	300	350	400	450	500	550	600
	Weight (gr)	360	555	740	930	1120	1310	1500	1690	1880	2070	2260
G x G1	N° WAYS	2	3	4	5	6	7	8*	9*	10*	11*	12*

1007

Collettore passante F-M
Manifold F-M



FILETTATURE / THREAD :
G - G1 = ISO 228/1 (BS 2779)

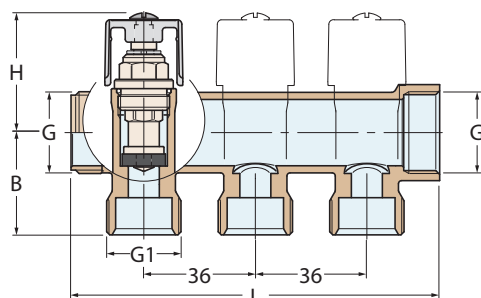


Ottone sabbiato
Yellow brass

1007					
1"x1/2"	L	83	120	155	191
	Weight (gr)	210	290	375	455
3/4"x1/2"	L	83	120	155	191
	Weight (gr)	170	240	310	405
G x G1	N° WAYS	2	3	4	5

1007CV

Collettore componibile con valvole
Manifold F-M with valves



FILETTATURE / THREAD :
G - G1 = ISO 228/1 (BS 2779)



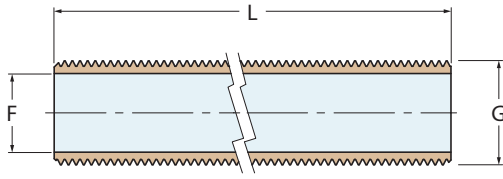
Ottone nichelato
Nickel-plated brass

1007CV				
3/4"x1/2"	L	83	119	155
	H	37	37	37
3/4"x1/2"	B	33	33	33
	Weight (gr)	280	410	510
G x G1	N° WAYS	2	3	4

raccorderia ottone pipe fittings brass

1008

Barra filettata
Threaded tube



*L = ±40 mm

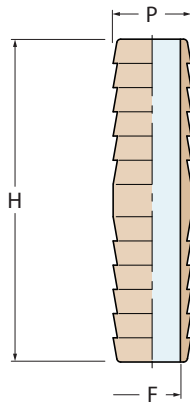
FILETTATURE / THREAD :
G = ISO 228/1 (BS 2779)

1008	■	■	■	■	■	■	■
Weight (gr)	800	1080	1800	2550	3050	3600	5800
*L	1000	1000	1000	1000	1000	1000	1000
F	11	15	19	25	34	40	50
G	3/8"	1/2"	3/4"	1"	1"1/4	1"1/2	2"

Ottone sabbiato
Yellow brass ■

1016

Portagomma doppio
Double hose connector



FILETTATURE / THREAD :
G = ISO 228/1 (BS 2779)

1016	■	■	■	■	■	■	■	■	■	■
Weight (gr)	5	11	20	26	31	36	47	63	104	160
H	50	50	60	60	60	60	60	64	76	84
F	3.5	5	6.5	8.5	10.5	12	14	15.5	20	26.5
P	6	8	10	12	14	16	18	20	25	32



Ottone sabbiato
Yellow brass ■

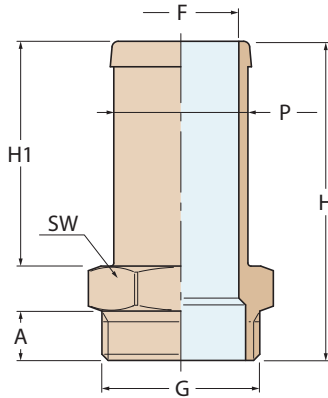
raccorderia ottone pipe fittings brass

1020

Portagomma maschio serie "Export"
Hose connector "Export" series with male head

Omologato RINA
RINA validated

Conforme alla norma
Compliant with
UNI EN ISO 9093-1



FILETTATURE / THREAD :
G = ISO 228/1 (BS 2779)

1020	■	■	■	■	■	■	■	■	■	■	■
Weight (gr)	20	30	38	50	46	58	65	63	73	80	90
SW	17	17	20	20	23	23	23	28	28	28	28
H1	43	43	43	43	43	43	43	43	43	43	43
H	57	57	59	59	61	61	61	61	61	61	61
F	6	9	9	12	9	12	15	9	12	15	21
A	9	9	10	10	12	12	12	12	12	12	12
P	8	12	12	16	12	16	19	12	16	19	25
G	1/4"	1/4"	3/8"	3/8"	1/2"	1/2"	1/2"	3/4"	3/4"	3/4"	3/4"

1020	■	■	■	■	■	■	■	■	■	■	■
Weight (gr)	100	112	112	123	133	195	185	218	250	285	365
SW	35	35	35	35	35	45	45	52	54	53	65
H1	43	43	43	43	43	43	43	46	50	50	50
H	63	63	63	63	63	67	65	74	74	74	75
F	9	12	15	21	28	27	33	29	33	39	44
A	13	13	13	13	13	14	14	16	16	16	16
P	12	16	19	25	32	32	38	32	38	50	50
G	1"	1"	1"	1"	1"	1 1/4"	1 1/4"	1 1/2"	1 1/2"	1 1/2"	2"

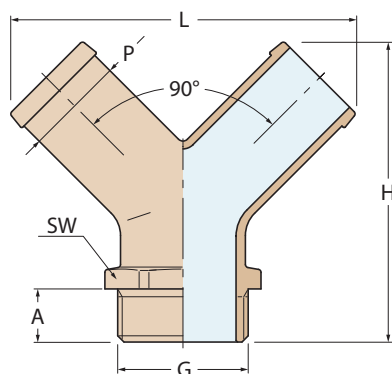
Ottone sabbiato
Yellow brass ■

1022

Portagomma maschio "Y"
Y-shaped hose connector with male head

Conforme alla norma
Compliant with
UNI EN ISO 9093-1

Omologato RINA
RINA validated



FILETTATURE / THREAD :
G = ISO 228/1 (BS 2779)



Ottone sabbiato
Yellow brass ■

1022	■
Weight (gr)	395
H	95
SW	45
L	110
A	15
P	32
G	1 1/4"

B1

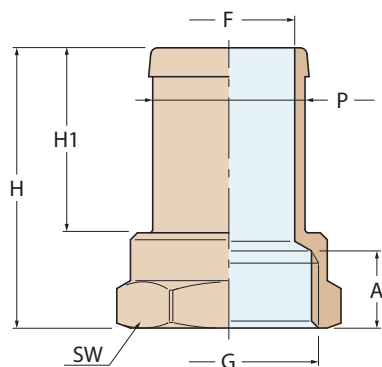
raccorderia ottone pipe fittings brass

1025

Portagomma femmina serie "Export"
Hose connector "Export" series
with female head

Omologato RINA
RINA validated

Conforme alla norma
Compliant with
UNI EN ISO 9093-1



FILETTATURE / THREAD :
G = ISO 228/1 (BS 2779)

1025	■	■	■	■	■	■	■	■	■	■	■	■
Weight (gr)	35	42	35	47	45	48	62	65	65	70	80	95
SW	17	20	20	20	25	25	25	25	30	30	30	30
H1	45	43	43	43	43	43	43	43	43	43	43	43
H	59	49	56	56	57	57	57	57	57	57	57	57
F	9	12	9	12	7	9	12	15	9	12	15	21
A	11	11	11	11	12	12	12	12	12	12	12	12
P	12	16	12	16	10	12	16	19	12	16	19	25
G	1/4"	1/4"	3/8"	3/8"	1/2"	1/2"	1/2"	1/2"	3/4"	3/4"	3/4"	3/4"

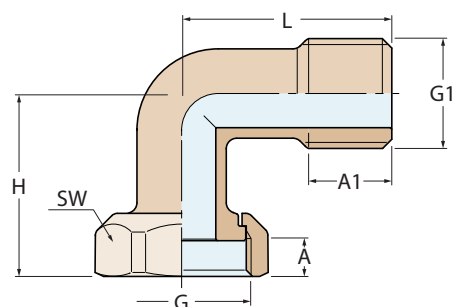
1025	■	■	■	■	■	■
Weight (gr)	135	120	150	180	175	290
SW	38	38	45	45	50	52
H1	43	45	41	43	42	50
H	64	63	59	63	61	75
F	21	28	27	33	33	43
A	17	15	15	16	15	18
P	25	32	32	38	38	50
G	1"	1"	1 1/4"	1 1/4"	1 1/2"	1 1/2"



Ottone sabbato
Yellow brass

5007

Raccordo 90° con codolo
90° bend with ring



FILETTATURE / THREAD :
G = ISO 228/1 (BS 2779)

5007	■
Weight (gr)	95
SW	30
H	35
L	40
D	13
A1	18
A	7
G1	1/2"
G	3/4"

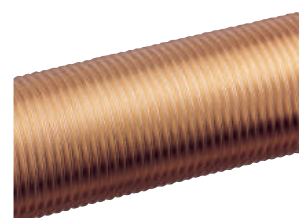
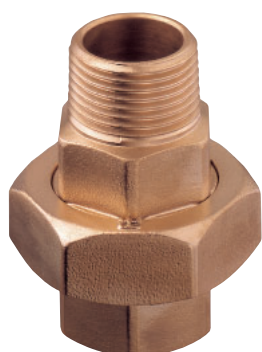


Ottone sabbato
Yellow brass



raccorderia
pipe fittings

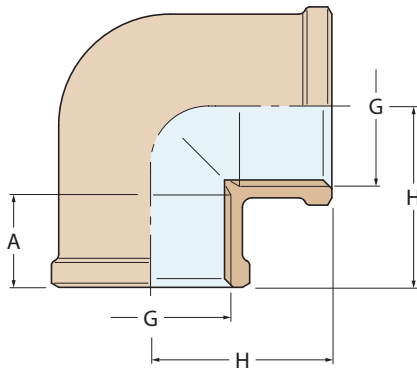
bronzo
bronze



raccorderia bronzo pipe fittings bronze

0090B

Gomito a 90° F-F
90° elbow F-F



FILETTATURE / THREAD :
G = EN 10226/1 (BS 21)

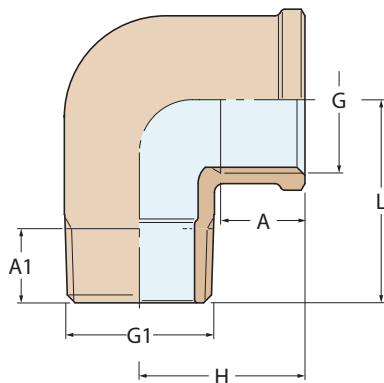
0090B	1/4"	3/8"	1/2"	3/4"	1"	1 1/4"	1 1/2"	2"	2 1/2"	3"	4"	5"
Weight (gr)	35	60	100	160	250	390	500	880	1500	1860	2980	4600
H	19	21	27	31.5	37.5	45	48	59	70	78	94	111
A	11	11.4	15	16.3	19.1	21.4	21.4	25.7	27	28	30	32
G	1/4"	3/8"	1/2"	3/4"	1"	1 1/4"	1 1/2"	2"	2 1/2"	3"	4"	5"



Bronzo
Bronze

0092B

Gomito a 90° M-F
90° elbow M-F



FILETTATURE / THREAD :
G - G1 = EN 10226/1 (BS 21)

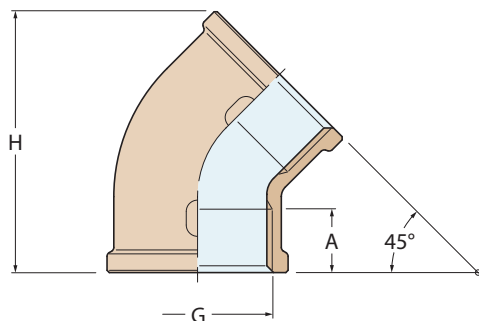
0092B	1/4"	3/8"	1/2"	3/4"	1"	1 1/4"	1 1/2"	2"	2 1/2"	3"	4"	5"
Weight (gr)	40	70	105	160	250	390	520	840	1380	1700	2800	4500
L	35	28.5	35	39.5	46	54	59	69	83	94	114	134
H	28	21	27	31.5	37.5	45	48	59	70	78	94	111
A1	13	10.1	13.2	14.5	16.8	19.1	19.1	23.4	26.7	29.8	35.8	40.1
A	11	11.4	15	16.3	19.1	21.4	21.4	25.7	27	28	30	32
G - G1	1/4"	3/8"	1/2"	3/4"	1"	1 1/4"	1 1/2"	2"	2 1/2"	3"	4"	5"



Bronzo
Bronze

0120B

Gomito a 45° F-F
45° elbow F-F



FILETTATURE / THREAD :
G = EN 10226/1 (BS 21)

0120B	3/8"	1/2"	3/4"	1"	1 1/4"	1 1/2"	2"	2 1/2"	3"	4"
Weight (gr)	50	85	130	215	320	410	740	1170	1490	2375
H	36	46	54	64	73	79	98	113	124	155
A	11.4	15	16.3	19.1	21.4	21.4	25.7	27	28	30
G	3/8"	1/2"	3/4"	1"	1 1/4"	1 1/2"	2"	2 1/2"	3"	4"

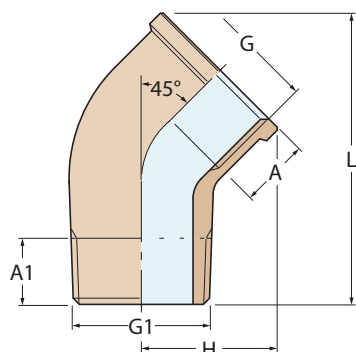


Bronzo
Bronze

raccorderia bronzo pipe fittings bronze

0121B

Gomito a 45° M-F
45° elbow M-F



FILETTATURE / THREAD :
G - G1 = EN 10226/1 (BS 21)

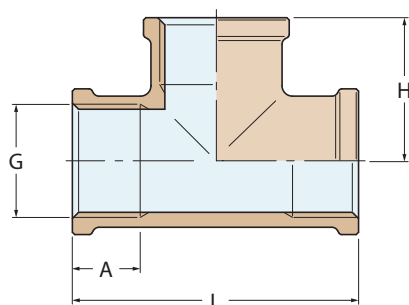
0121B	3/8"	1/2"	3/4"	1"	1"1/4"	1"1/2"	2"	2"1/2"	3"	4"
Weight (gr)	50	85	130	205	330	410	670	1120	1510	2390
L	44	52	60	71	82	88	105	117	129	156
H	20	23	28	34	41	43	53	62	69	85
A1	10.1	13.2	14.5	16.8	19.1	19.1	23.4	26.7	29.8	35.8
A	11.4	15	16.3	19.1	21.4	21.4	25.7	27	28	30.5
G - G1	3/8"	1/2"	3/4"	1"	1"1/4"	1"1/2"	2"	2"1/2"	3"	4"



Bronzo
Bronze

0130B

Raccordo a "T" F-F-F
Equal "T" F-F-F



FILETTATURE / THREAD :
G = EN 10226/1 (BS 21)

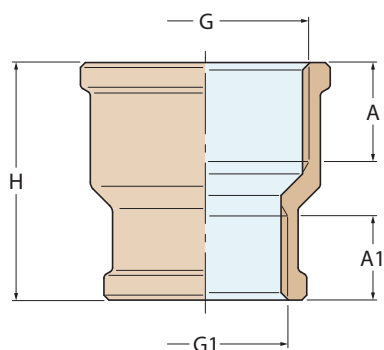
0130B	3/8"	1/2"	3/4"	1"	1"1/4"	1"1/2"	2"	2"1/2"	3"	4"	5"
Weight (gr)	95	130	205	310	540	635	1145	1830	2380	3780	5040
L	42	54	63	75	90	96	118	140	156	188	222
H	21	27	31.5	37.5	45	48	59	70	78	94	111
A	13.5	15	16.3	19.1	21.4	21.4	25.7	27	28	30	32
G	3/8"	1/2"	3/4"	1"	1"1/4"	1"1/2"	2"	2"1/2"	3"	4"	5"



Bronzo
Bronze

0240B

Manicotto ridotto F-F
Reducing socket F-F



FILETTATURE / THREAD :
G - G1 = EN 10226/1 (BS 21)

0240B	3/8"	1/2"	3/4"	1"	1"1/4"	1"1/2"
Weight (gr)	55	85	135	215	280	450
H	30	36	41	47	49	55
A	11.4	15	16.3	19.1	21.4	21.4
A1	15	16.3	19.1	21.4	21.4	25.7
G1	3/8"	1/2"	3/4"	1"	1"1/4"	1"1/2"
G	1/2"	3/4"	1"	1"1/4"	1"1/2"	2"



Bronzo
Bronze

B2

raccorderia bronzo pipe fittings bronze

0241B

Riduzione M-F
Bushing M-F

Fig. 1

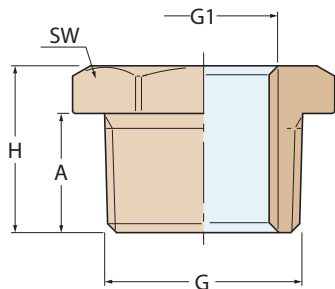
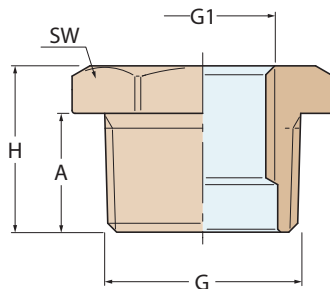


Fig. 2

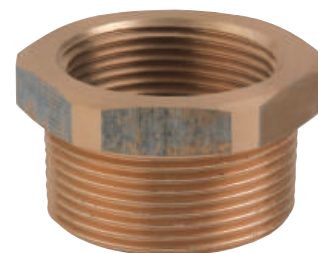


FILETTATURE / THREAD :
G - G1 = EN 10226/1 (BS 21)

0241B	■	■	■	■	■	■	■	■	■
Fig.	1	2	1	2	1	2	1	2	1
Weight (gr)	16	35	30	60	50	130	85	200	160
SW	19	22	22	28	28	35	35	46	46
H	17.5	21.5	21.5	23.5	23.5	26.5	26.5	30.5	30.5
A	11.5	15	15	16.5	16.5	19	19	21.5	21.5
G1	1/4"	1/4"	3/8"	3/8"	1/2"	1/2"	3/4"	3/4"	1"
G	3/8"	1/2"	1/2"	3/4"	3/4"	1"	1"	1 1/4"	1 1/4"

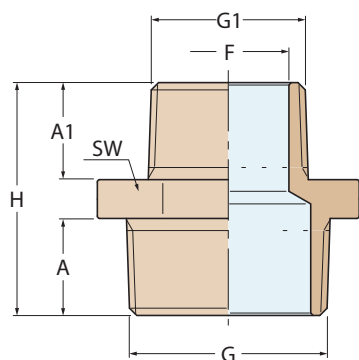
0241B	■	■	■	■	■	■	■
Fig.	2	2	2	1	2	2	2
Weight (gr)	280	240	165	395	560	700	1600
SW	52	52	52	52	80	93	122
H	31.5	31.5	31.5	31.5	38	41.5	48
A	21.5	21.5	21.5	25.5	26	28.5	34
G1	3/4"	1"	1 1/4"	1 1/2"	2"	2 1/2"	3"
G	1 1/2"	1 1/2"	1 1/2"	2"	2 1/2"	3"	4"

Bronzo
Bronze



0245B

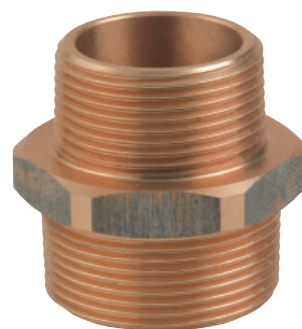
Niples doppio ridotto M-M
Reducing nipple M-M



FILETTATURE / THREAD :
G - G1 = EN 10226/1 (BS 21)

0245B	■	■	■	■	■	■	■	■	■	■	■	
Weight (gr)	30	40	70	120	115	200	260	410	410	610	900	1570
SW	19	22	28	35	35	46	52	65	65	80	93	122
F	8.5	12	15	20	20	26	34	34	40	51	65	76
H	28.5	33	38.5	43	43	49.5	53	58	58	63.5	67.5	76.5
A1	11	11.5	15	15	16.5	19	21.5	21.5	21.5	25.5	26	28.5
A	11.5	15	16.5	19	19	21.5	21.5	25.5	25.5	26	28.5	34
G1	1/4"	3/8"	1/2"	1/2"	3/4"	1"	1 1/4"	1 1/4"	1 1/2"	2"	2 1/2"	3"
G	3/8"	1/2"	3/4"	1"	1"	1 1/4"	1 1/2"	2"	2"	2 1/2"	3"	4"

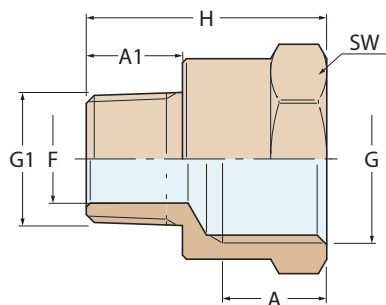
Bronzo
Bronze



raccorderia bronzo pipe fittings bronze

0246B

Nipples ridotto F-M
Reducing nipple F-M



FILETTATURE / THREAD :
G = ISO 228/1 (BS 2779)
G1 = EN 10226/1 (BS 21)

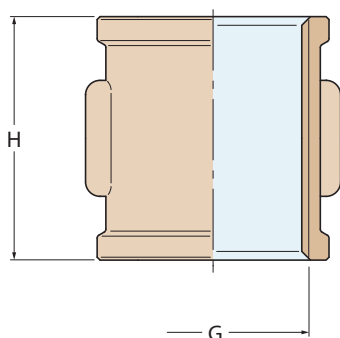
0246B	■	■	■	■	■	■	■	■	■	■
Weight (gr)	25	35	40	60	90	95	145	155	215	310
SW	20	25	25	30	38	38	47	47	53	66
F	9	9	12	15	15	20	20	26	34	40
H	24.5	28	28.5	34	37	38.5	41.5	44	46.5	55
A1	11	11	11.5	15	15	16.5	16.5	19	21.5	21.5
A	10	13	13	14.5	17	17	19	19	19	23.5
G1	1/4"	1/4"	3/8"	1/2"	1/2"	3/4"	3/4"	1"	1 1/4"	1 1/2"
G	3/8"	1/2"	1/2"	3/4"	1"	1"	1 1/4"	1 1/4"	1 1/2"	2"



Bronzo
Bronze ■

0270B

Manicotto femmina
Equal socket F



FILETTATURE / THREAD :
G = EN 10226/1 (BS 21)

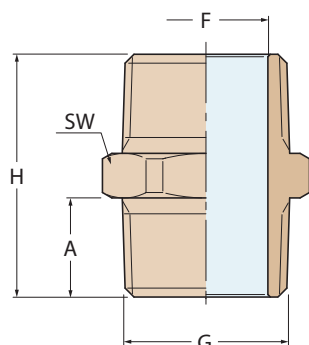
0270B	■	■	■	■	■	■	■	■	■
Weight (gr)	35	65	100	200	225	310	540	985	1500
H	25	32	35	42	46	48	57	66	72
G	3/8"	1/2"	3/4"	1"	1 1/4"	1 1/2"	2"	2 1/2"	3"



Bronzo
Bronze ■

0280B

Nipples doppio
Nipple M-M



FILETTATURE / THREAD :
G = EN 10226/1 (BS 21)

0280B	■	■	■	■	■	■	■	■	■	■	■	
Weight (gr)	20	25	50	80	125	220	260	420	630	960	1500	2250
SW	16	19	22	28	35	46	52	65	80	93	122	148
F	9	12	15	20	26	34	40	51	65	76	101	125
H	27	29	36.5	40	45.5	52	53	62	64	70	81	92
A	11	11.5	15	16.5	19	21.5	21.5	25.5	26	28.5	34	38.5
G	1/4"	3/8"	1/2"	3/4"	1"	1 1/4"	1 1/2"	2"	2 1/2"	3"	4"	5"



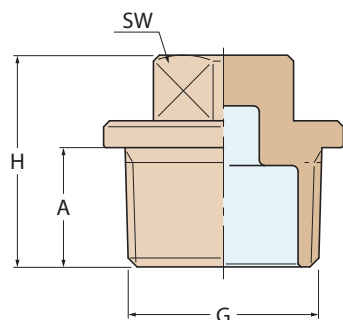
Bronzo
Bronze ■

B2

raccorderia bronzo pipe fittings bronze

0290B

Tappo maschio
Plug M



FILETTATURE / THREAD :
G = EN 10226/1 (BS 21)

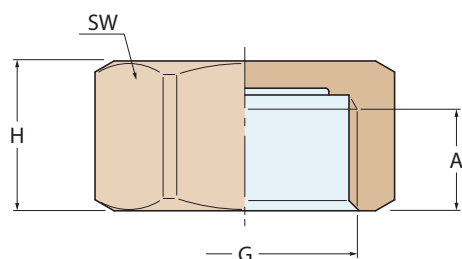
0290B	10	15	20	35	60	100	160	200	350
Weight (gr)	10	15	20	35	60	100	160	200	350
SW	6	8	10	13	17	19	23	23	27
H	14	18.5	19.5	24	27	30	34.5	35	39.5
A	7.5	11	11.5	15	16.5	19	21.5	21.5	25.5
G	1/8"	1/4"	3/8"	1/2"	3/4"	1"	1 1/4"	1 1/2"	2"



Bronzo
Bronze

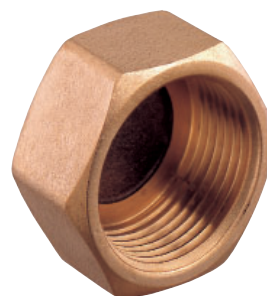
0300B

Tappo femmina
Cap F



FILETTATURE / THREAD :
G = ISO 228/1 (BS 2779)

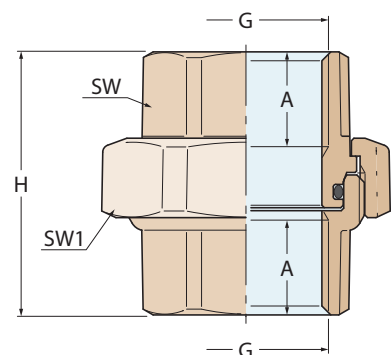
0300B	10	15	25	45	70	130	210	230	445
Weight (gr)	10	15	25	45	70	130	210	230	445
SW	13	16	20	25	30	38	47	53	66
H	9.5	13.5	14	18	20	23	25.5	25.5	30
A	8	10	10	13	15	17	19	19	23.5
G	1/8"	1/4"	3/8"	1/2"	3/4"	1"	1 1/4"	1 1/2"	2"



Bronzo
Bronze

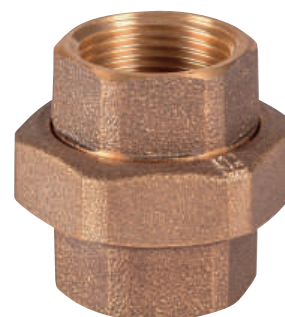
0340B

Bocchettone femmina sede conica con O-ring
Union F-F tapered seat with O-ring



FILETTATURE / THREAD :
G = EN 10226/1 (BS 21)

0340B	210	305	400	540	680	1010	1540	1900	3200
Weight (gr)	210	305	400	540	680	1010	1540	1900	3200
SW1	39	45	53	63	70	84	103	118	147
SW	25	31	38	47	54	67	82	95	122
H	45	47	53	58	59	69	75	82	90
A	15	16.3	19.1	21.4	21.4	25.7	28	30	32
G	1/2"	3/4"	1"	1 1/4"	1 1/2"	2"	2 1/2"	3"	4"

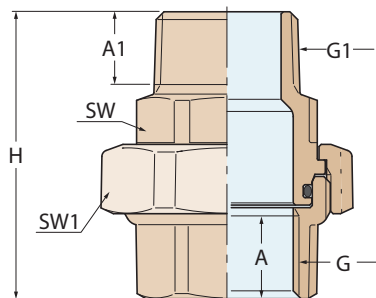


Bronzo
Bronze

raccorderia bronzo pipe fittings bronze

0341B

Bocchettone M-F sede conica con O-ring
Union M-F tapered seat with O-ring



FILETTATURE / THREAD :
G - G1 = EN 10226/1 (BS 21)

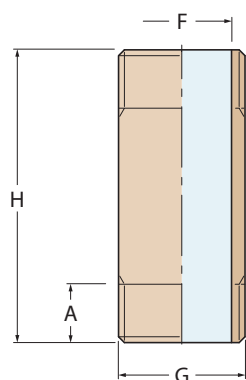
0341B	1/2"	3/4"	1"	1 1/4"	1 1/2"	2"	2 1/2"	3"	4"
Weight (gr)	230	345	460	640	830	1200	1660	2170	3900
SW1	39	45	53	63	70	84	103	118	147
SW	25	31	38	47	54	67	82	95	122
H	57	63	53	73	74	87	98	106	119
A1	13.2	14.5	16.8	19.1	19.1	23.4	26.7	29.8	35.8
A	15	16.3	19.1	21.4	21.4	25.7	28	30	33
G - G1	1/2"	3/4"	1"	1 1/4"	1 1/2"	2"	2 1/2"	3"	4"



Bronzo
Bronze

0530B

Barilotto maschio
Barrel nipple male



FILETTATURE / THREAD :
G = EN 10226/1 (BS 21)

0530	1/2"	1/2"	1/2"	1/2"	1/2"	1/2"	3/4"	3/4"	3/4"	3/4"	3/4"	3/4"
Weight (gr)	75	100	130	160	205	275	110	155	195	240	300	405
F	15	15	15	15	15	15	19	19	19	19	19	19
A	15	15	15	15	15	15	16	16	16	16	16	16
H	60	80	100	120	150	200	60	80	100	120	150	200
G	1/2"	1/2"	1/2"	1/2"	1/2"	1/2"	3/4"	3/4"	3/4"	3/4"	3/4"	3/4"

0530	1"	1"	1"	1"	1"	1"	1 1/4"	1 1/4"	1 1/4"	1 1/4"	1 1/4"	1 1/4"
Weight (gr)	165	225	285	345	440	600	195	275	355	440	560	765
F	25	25	25	25	25	25	34	34	34	34	34	34
A	18	18	18	18	18	18	21	21	21	21	21	21
H	60	80	100	120	150	200	60	80	100	120	150	200
G	1"	1"	1"	1"	1"	1"	1 1/4"	1 1/4"	1 1/4"	1 1/4"	1 1/4"	1 1/4"

0530	2"	2"	2"	2"	2"	2"	2"	2"	2"	2"	2"	
Weight (gr)	225	375	410	505	645	880	355	500	645	795	1015	1380
F	40	40	40	40	40	40	50	50	50	50	50	50
A	21	21	21	21	21	21	25	25	25	25	25	25
H	60	80	100	120	150	200	60	80	100	120	150	200
G	1 1/2"	1 1/2"	1 1/2"	1 1/2"	1 1/2"	1 1/2"	2"	2"	2"	2"	2"	2"

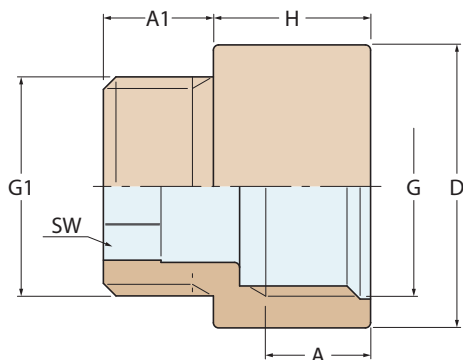
Bronzo
Bronze

B2

raccorderia bronzo pipe fittings bronze

0550B

Prolunga M-F
Extension M-F



FILETTATURE / THREAD :
G - G1 = ISO 228/1 (BS 2779)



0550B	■	■	■	■	■	■	■	■
Weight (gr)	40	50	60	75	90	110	140	210
SW	12	12	12	12	12	12	12	12
D	27	27	27	27	27	27	27	27
A1	10	10	10	10	10	10	10	10
A	6.5	11.5	15	15	15	15	15	15
H	10	15	20	25	30	40	50	80
G - G1	1/2"	1/2"	1/2"	1/2"	1/2"	1/2"	1/2"	1/2"

0550B	■	■	■	■	■	■	■	■	■	■	■
Weight (gr)	50	65	80	90	110	135	170	195	160	200	250
SW	17	17	17	17	17	17	17	22	22	22	22
D	32	32	32	32	32	32	32	40	40	40	40
A1	11	11	11	11	11	11	11	13	13	13	13
A	7	11.5	15	15	15	15	15	15	15	15	15
H	10	15	20	25	30	40	50	25	30	40	50
G - G1	3/4"	3/4"	3/4"	3/4"	3/4"	3/4"	3/4"	1"	1"	1"	1"

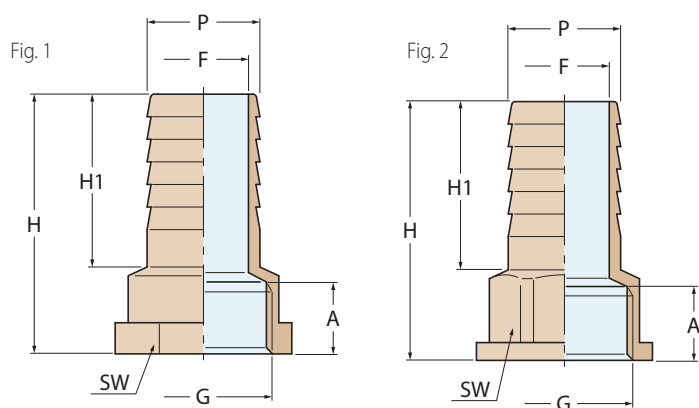
Bronzo
Bronze

1005B

Portagomma femmina
Hose connector F

Omologato RINA
RINA validated

Conforme alla norma
Compliant with
UNI EN ISO 9093-1



FILETTATURE / THREAD :
G = ISO 228/1 (BS 2779)

1005B	■	■	■	■	■	■	■	■
Fig.	1	1	2	2	2	2	2	2
Weight (gr)	35	60	85	120	135	200	230	270
SW	25	25	30	38	38	47	53	53
H	44	44	51.5	53	53	60.5	60.5	66.5
H1	30	30	36	36	36	42	42	48
A	12	12	13	14	14	15	15	15
F	9	15.5	20	20	25	34.5	32.5	44
P	13	20	25	25	30	40	38	50
G	1/2"	1/2"	3/4"	1"	1"	1 1/4"	1 1/2"	1 1/2"



Bronzo
Bronze

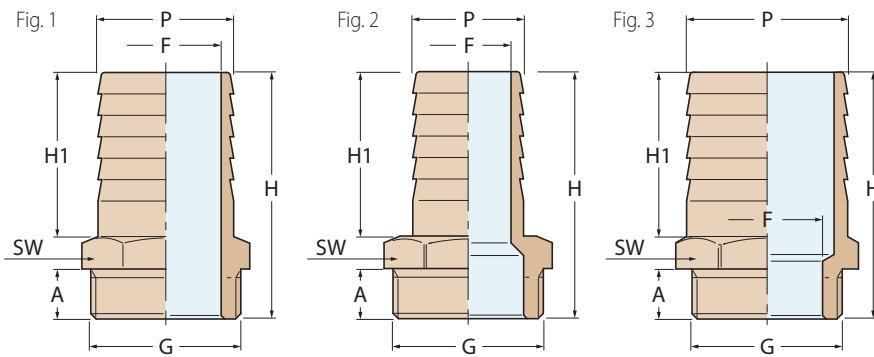
raccorderia bronzo pipe fittings bronze

1004B

Portagomma maschio
Hose connector M

Omologato RINA
RINA validated

Conforme alla norma
Compliant with
UNI EN ISO 9093-1



FILETTATURE / THREAD :
G = ISO 228/1 (BS 2779)

1004B	■	■	■	■	■	■	■	■	■	■	■
Fig.	2	2	2	2	2	2	2	2	2	1	3
Weight (gr)	20	32	36	38	40	40	40	45	50	50	50
SW	16	19	19	19	22	22	22	22	22	22	22
H	44	46	46	46	48.5	48.5	48.5	48.5	48.5	48.5	48.5
H1	30	30	30	30	30	30	30	30	30	30	30
A	9	10	10	10	12	12	12	12	12	12	12
F	6	6	9	11	6	8	9	10	12	15	15
P	10	10	13	15	10	12	13	14	16	19	20
G	1/4"	3/8"	3/8"	3/8"	1/2"	1/2"	1/2"	1/2"	1/2"	1/2"	1/2"

1004B	■	■	■	■	■	■	■	■
Fig.	2	2	2	1	2	2	2	3
Weight (gr)	65	85	85	100	115	130	130	140
SW	28	28	28	28	35	35	35	35
H	49	49	49	55	50.5	56.5	56.5	62.5
H1	30	30	30	36	30	36	36	42
A	12	12	12	12	13	13	13	13
F	12	15	15.5	20	15.5	20	25	26
P	16	19	20	25	20	25	30	32
G	3/4"	3/4"	3/4"	3/4"	1"	1"	1"	1"

1004B	■	■	■	■	■	■	■	■	■	■	■	
Fig.	2	2	2	2	3	2	2	2	3	2	2	3
Weight (gr)	205	230	240	250	260	270	300	310	320	450	455	500
SW	46	46	46	46	46	52	52	52	52	65	65	65
H	59	65	65	65	65	68	68	74	74	75	75	79.5
H1	36	42	42	42	42	42	42	48	48	48	48	52.5
A	14	14	14	14	14	16	16	16	16	16	16	16
F	25	26.5	29.5	32.5	34	32.5	34.5	39	40	44	46	51
P	30	32	35	38	40	38	40	45	50	50	52	60
G	1 1/4"	1 1/4"	1 1/4"	1 1/4"	1 1/4"	1 1/2"	1 1/2"	1 1/2"	1 1/2"	2"	2"	2"

1004B	■	■	■	■	■	■	■	■	■	■
Fig.	2	2	2	2	2	2	2	3	2	2
Weight (gr)	700	720	730	740	1050	1050	1100	1110	1750	3050
SW	80	80	80	80	96	96	96	96	123	148
H	82.5	82.5	82.5	82.5	97	97	101	101	116	142
H1	52.5	52.5	52.5	52.5	64	64	68	68	80	100
A	18	18	18	18	20	20	20	20	22	27
F	53.5	56.5	58	62	67	68	72	76	90	113
P	60	63	65	70	75	76	80	90	100	125
G	2 1/2"	2 1/2"	2 1/2"	2 1/2"	3"	3"	3"	3"	4"	5"

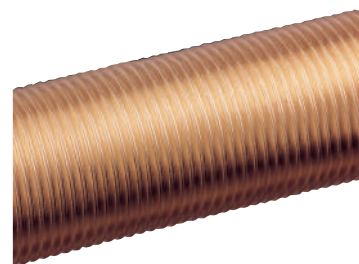
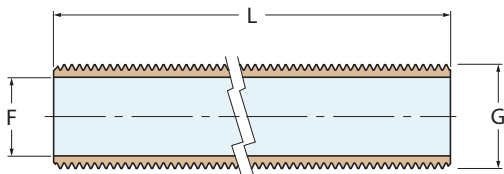
Bronzo
Bronze

B2

raccorderia bronzo pipe fittings bronze

1008B

Barra filettata
Threaded tube



*L = ±40 mm

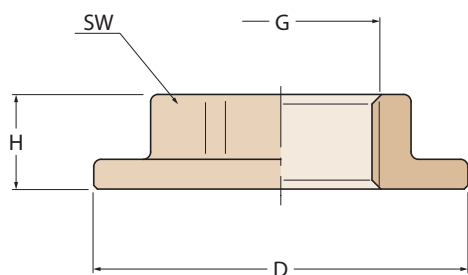
FILETTATURE / THREAD :
G = ISO 228/1 (BS 2779)

1008B	■	■	■	■	■	■
Weight (gr)	1080	1800	2550	3050	3600	5800
L	1000	1000	1000	1000	1000	1000
F	15	19	25	34	40	50
G	1/2"	3/4"	1"	1 1/4"	1 1/2"	2"

Bronzo
Bronze ■

1275

Dado flangiato serie pesante
Flanged lock nut heavy series



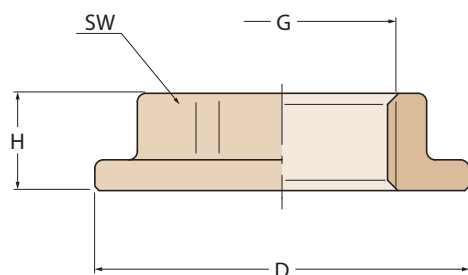
FILETTATURE / THREAD :
G = ISO 228/1 (BS 2779)

1275	■	■	■	■	■	■
Weight (gr)	160	220	295	415	515	715
SW	41	50	57	70	85	100
H	14	16	17	17	18	19
D	65	75	85	100	116	130
G	1"	1 1/4"	1 1/2"	2"	2 1/2"	3"

Bronzo
Bronze ■

1276

Dado flangiato
Flanged lock nut



FILETTATURE / THREAD :
G = ISO 228/1 (BS 2779)

1276	■	■	■	■	■	■	■	■	■	■	■	■	■
Weight (gr)	20	40	60	95	140	195	250	430	570	860	1435	2500	3800
SW	20	26	32	41	49	56	69	85	98	129	156	182	-
H	10	10	11.5	12	14	15	15	18	19	19	22	25	31.5
D	28	40	46	57	67	75	88	108	122	150	190	224	280
G	3/8"	1/2"	3/4"	1"	1 1/4"	1 1/2"	2"	2 1/2"	3"	4"	5"	6"	8"

Bronzo
Bronze ■



raccorderia
pipe fittings

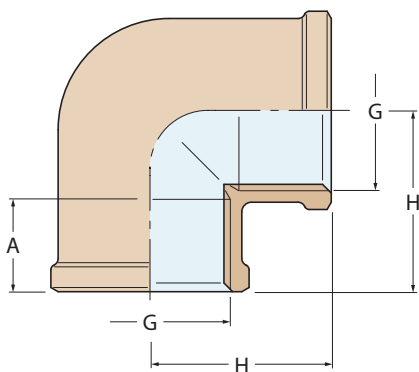
alluminio aluminium



raccorderia alluminio pipe fittings aluminium

30090

Gomito a 90° F-F
90° elbow F-F



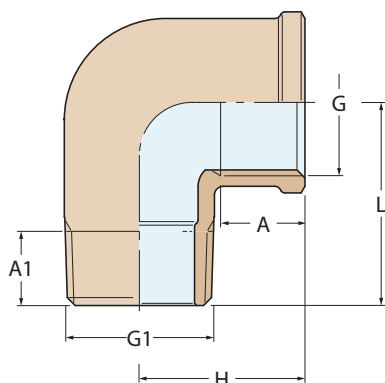
FILETTATURE / THREAD :
G = EN 10226/1 (BS 21)

30090	1 1/4"	1 1/2"	2"	2 1/2"	3"	4"	5"
Weight (gr)	120	150	255	445	555	860	1380
H	45	48	59	70	78	94	111
A	21.4	21.4	25.7	27	28	30	32
G	1 1/4"	1 1/2"	2"	2 1/2"	3"	4"	5"

Alluminio anodizzato nero
Solo su richiesta speciale
Black anodized aluminium
Upon special request only

30092

Gomito a 90° M-F
90° elbow M-F



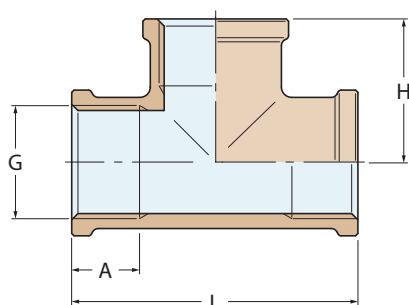
FILETTATURE / THREAD :
G - G1 = EN 10226/1 (BS 21)

30092	1 1/4"	1 1/2"	2"	2 1/2"	3"	4"	5"
Weight (gr)	120	160	250	410	530	850	1350
L	54	59	69	83	94	114	134
H	45	48	59	70	78	94	111
A1	19.1	19.1	23.4	26.7	29.8	35.8	40.1
A	21.4	21.4	25.7	27	28	30	32
G - G1	1 1/4"	1 1/2"	2"	2 1/2"	3"	4"	5"

Alluminio anodizzato nero
Solo su richiesta speciale
Black anodized aluminium
Upon special request only

30130

Raccordo a "T" F-F-F
Equal "T" F-F-F



FILETTATURE / THREAD :
G = EN 10226/1 (BS 21)

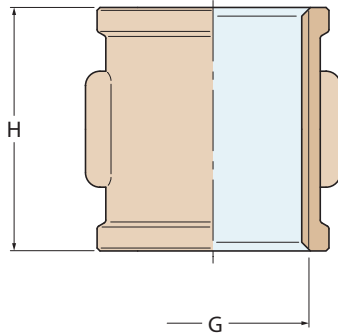
30130	1 1/4"	1 1/2"	2"	2 1/2"	3"	4"	5"
Weight (gr)	165	195	330	560	720	1140	1520
L	90	96	118	140	156	188	222
H	45	48	59	70	78	94	111
A	21.4	21.4	25.7	27	28	30	32
G	1 1/4"	1 1/2"	2"	2 1/2"	3"	4"	5"

Alluminio anodizzato nero
Solo su richiesta speciale
Black anodized aluminium
Upon special request only

raccorderia alluminio pipe fittings aluminium

30270

Manicotto femmina
Equal socket F



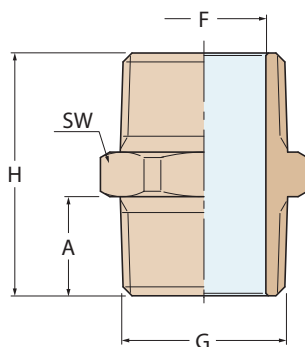
FILETTATURE / THREAD :
G = EN 10226/1 (BS 21)

30270	■	■	■	■	■
Weight (gr)	70	95	160	300	450
H	46	48	57	66	72
G	1"1/4	1"1/2	2"	2"1/2	3"

Alluminio anodizzato nero
Solo su richiesta speciale
Black anodized aluminium
Upon special request only

30280

Nipples doppio
Nipple M-M



FILETTATURE / THREAD :
G = EN 10226/1 (BS 21)

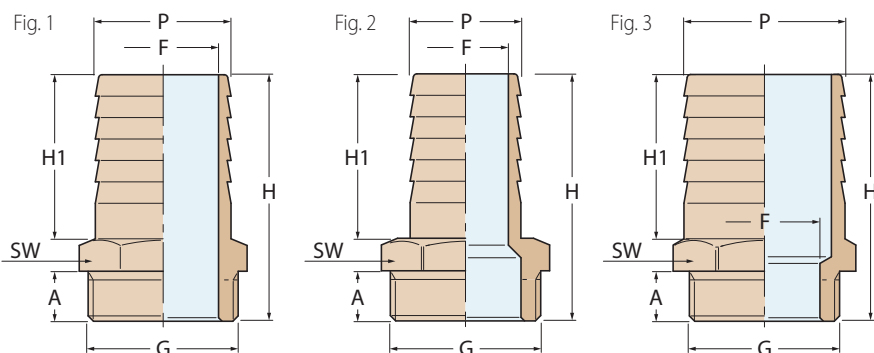
30280	■	■	■	■	■	■	■
Weight (gr)	75	90	135	200	305	450	660
SW	46	52	65	80	93	122	148
F	34	40	51	65	76	101	125
H	52	53	62	64	70	81	92
A	21.5	21.5	25.5	26	28.5	34	38.5
G	1"1/4	1"1/2	2"	2"1/2	3"	4"	5"

Alluminio anodizzato nero
Solo su richiesta speciale
Black anodized aluminium
Upon special request only

B3

Portagomma maschio Hose connector M

Conforme alla norma
Compliant with
UNI EN ISO 9093-1



FILETTATURE / THREAD :
G = ISO 228/1 (BS 2779)

31004	■	■	■	■	■	■	■	■	■	■	■
Fig.	2	1	1	2	2	2	1	2	2	1	3
Weight (gr)	42	44	50	56	60	68	73	80	88	91	101
SW	35	35	35	46	46	46	46	52	52	52	52
H	56.5	56.5	62.5	65	65	65	65	68	68	74	74
H1	36	36	42	42	42	42	42	42	42	48	48
A	13	13	13	14	14	14	14	16	16	16	16
F	20	25	26	26.5	29.5	32.5	34	32.5	34.5	39.5	40
P	25	30	32	32	35	38	40	38	40	45	50
G	1"	1"	1"	1"1/4	1"1/4	1"1/4	1"1/4	1"1/2	1"1/2	1"1/2	1"1/2

31004	■	■	■	■	■	■	■	■	■	■
Fig.	2	3	2	2	2	2	2	2	2	2
Weight (gr)	130	141	188	175	201	206	284	325	510	950
SW	65	65	80	80	80	80	96	96	123	148
H	75	79	82	82	82	82	97	101	116	142
H1	48	52	52	52	52	52	64	68	80	100
A	16	16	18	18	18	18	20	20	22	27
F	44.5	51	53.5	56.5	58	62	68	72	90	113
P	50	60	60	63	65	70	76	80	100	125
G	2"	2"	2"1/2	2"1/2	2"1/2	2"1/2	3"	3"	4"	5"

Alluminio anodizzato nero
Solo su richiesta speciale
Black anodized aluminium
Upon special request only



raccorderia
pipe fittings

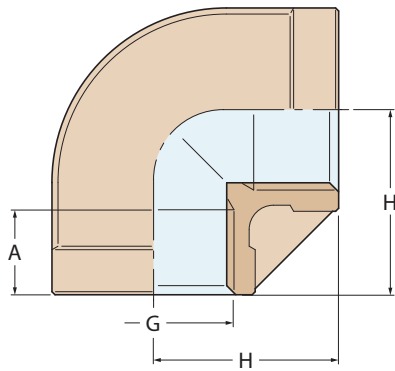
acciaio inox stainless steel



raccorderia acciaio inox pipe fittings stainless steel

0090I

Gomito a 90° F-F
90° elbow F-F

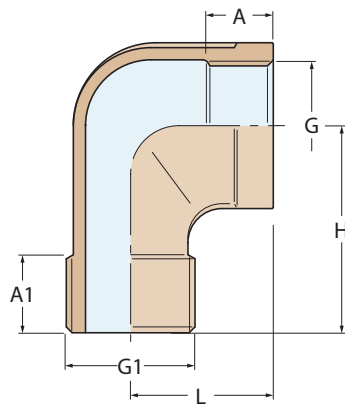


Acciaio inox
Stainless steel

0090I									
H	16	19	23	28	29	32	41	45	56
A	7	8	8	9	9	10	12	14	16
G	1/8"	1/4"	3/8"	1/2"	3/4"	1"	1 1/4"	1 1/2"	2"

0092I

Gomito a 90° M-F
90° elbow M-F

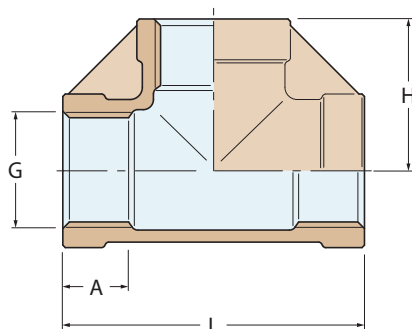


Acciaio inox
Stainless steel

0092I									
H	26	32	36	41	46	52	57	58	80
L	17	19	21	28	32	38	39	49	57
A1	10	12	12	16	16	17	17	21	24
A	7	8	8	9	9	10	12	14	16
G - G1	1/8"	1/4"	3/8"	1/2"	3/4"	1"	1 1/4"	1 1/2"	2"

0130I

Raccordo a "T" F-F-F
Equal "T" F-F-F



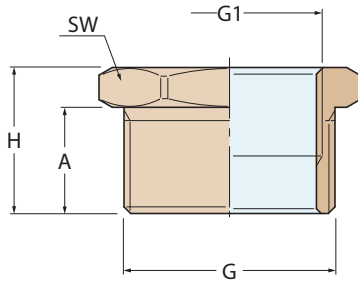
Acciaio inox
Stainless steel

0130I									
L	38	38	44	54	63	71	85	95	105
H	20	19	22	27	32	35	42	46	54
A	7	7	8	9	10	10	14	15	17
G	1/8"	1/4"	3/8"	1/2"	3/4"	1"	1 1/4"	1 1/2"	2"

raccorderia acciaio inox pipe fittings stainless steel

0241I

Riduzione M-F
Bushing M-F

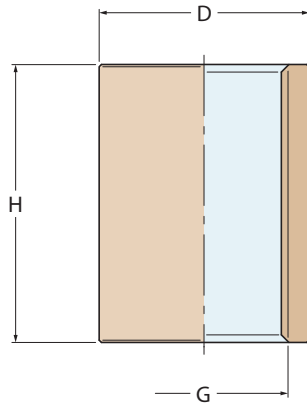


0241I	1/8"	1/4"	3/8"	1/2"	3/4"	1"	1 1/4"	1 1/2"	2"	
SW	19	23	28	35	46	50	50	62	62	80
H	21	23	23	25	29	29	32	35	35	39
A	14	14	16	17	21	21	22	25	25	28
G1	1/4"	3/8"	1/2"	3/4"	1"	3/4"	1 1/4"	1"	1 1/2"	2"
G	3/8"	1/2"	3/4"	1"	1 1/4"	1 1/2"	1 1/2"	2"	2"	2 1/2"

Acciaio inox
Stainless steel

0270I

Manicotto femmina
Equal socket F

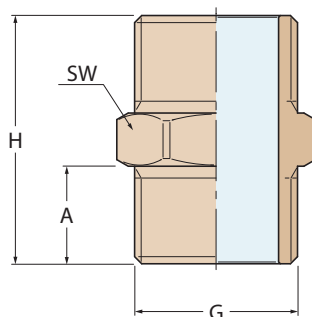


0270I	1/8"	1/4"	3/8"	1/2"	3/4"	1"	1 1/4"	1 1/2"	2"
D	15	18	21	26	30	32	47	53	67
H	18	24	29	34	34	42	47	47	60
G	1/8"	1/4"	3/8"	1/2"	3/4"	1"	1 1/4"	1 1/2"	2"

Acciaio inox
Stainless steel

0280I

Nipples doppio
Nipple M-M



0280I	1/8"	1/4"	3/8"	1/2"	3/4"	1"	1 1/4"	1 1/2"	2"
SW	15	15	18	23	28	35	44	50	62
H	30	27	29	33	43	42	50	53	62
A	10	10	14	13	16	17	20	20	25
G	1/8"	1/4"	3/8"	1/2"	3/4"	1"	1 1/4"	1 1/2"	2"

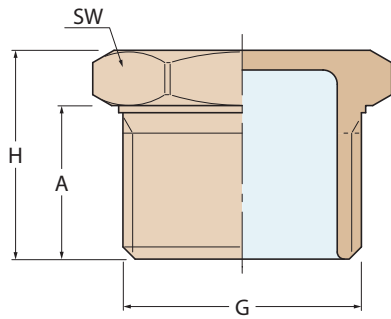
Acciaio inox
Stainless steel

B4

raccorderia acciaio inox pipe fittings stainless steel

0290I

Tappo maschio
Plug M

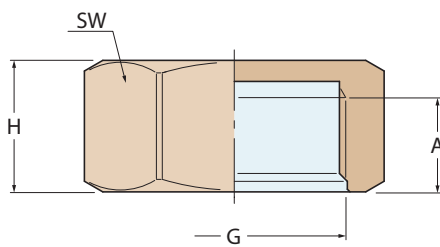


Acciaio inox
Stainless steel

0290I									
SW	13	16	18	23	28	37	45	50	62
H	17	17	18	21	23	27	30	31	36
A	12	12	12	15	15	20	21	21	26
G	1/8"	1/4"	3/8"	1/2"	3/4"	1"	1 1/4"	1 1/2"	2"

0300I

Tappo femmina
Cap F

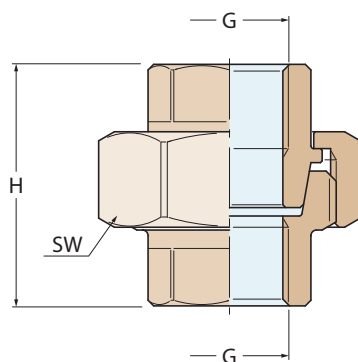


Acciaio inox
Stainless steel

0300I									
SW	17	18	22	26	30	40	48	54	66
H	17	17	18	20	23	22	25	32	35
A	8	9	9	10	12	15	19	20	22
G	1/8"	1/4"	3/8"	1/2"	3/4"	1"	1 1/4"	1 1/2"	2"

0340I

Bocchettone femmina sede conica
Union F-F tapered seat



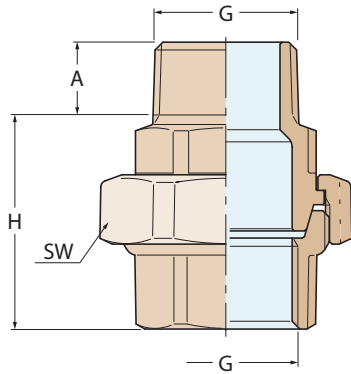
Acciaio inox
Stainless steel

0340I									
SW	30	30	34	40	48	58	68	72	90
H	33	33	34	39	43	50	56	56	65
G	1/8"	1/4"	3/8"	1/2"	3/4"	1"	1 1/4"	1 1/2"	2"

raccorderia acciaio inox pipe fittings stainless steel

0341I

Bocchettone M-F sede conica
Union M-F tapered seat

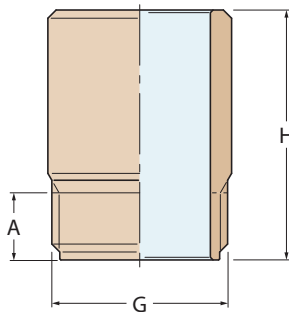


Acciaio inox
Stainless steel

0341I	1/8"	1/4"	3/8"	1/2"	3/4"	1"	1 1/4"	1 1/2"	2"
SW	30	30	34	40	48	58	68	72	90
H	33	33	34	39	43	50	56	56	65
A	9	11	13	13.2	14.5	16.8	19.1	19.1	23.4
G1	1/8"	1/4"	3/8"	1/2"	3/4"	1"	1 1/4"	1 1/2"	2"

0532I

Tronchetto maschio
Straight union with male head

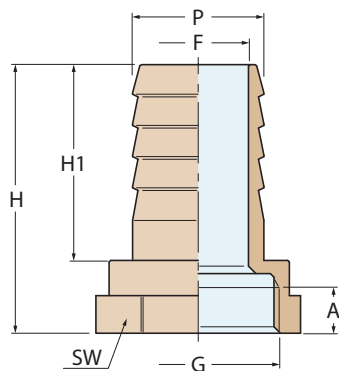


Acciaio inox
Stainless steel

0532I	1/4"	3/8"	1/2"	3/4"	1"	1 1/4"	1 1/2"	2"
H	30	30	35	40	40	50	50	50
A	12	12	15	15	17	18	20	22
G	1/4"	3/8"	1/2"	3/4"	1"	1 1/4"	1 1/2"	2"

1005I

Portagomma femmina serie "Extra"
Hose connector "Extra" series
with female head



Acciaio inox
Stainless steel

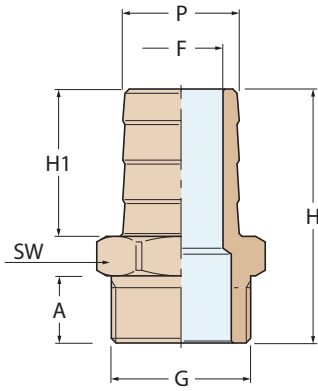
1005I	3/8"	1/2"	3/4"	1"	1 1/4"	1 1/2"	2"
SW	20	25	30	38	45	52	65
H	40	47	50	55	60	70	70
H1	30	34	37	39	44	49	50
A	8	10	10	11	12	15	15
F	10	15	15	18	34	39	43
P	15	20	20	25	40	45	50
G	3/8"	1/2"	3/4"	1"	1 1/4"	1 1/2"	2"

B4

raccorderia acciaio inox pipe fittings stainless steel

1004I

Portagomma maschio serie "Extra"
Hose connector "Extra" series with male head



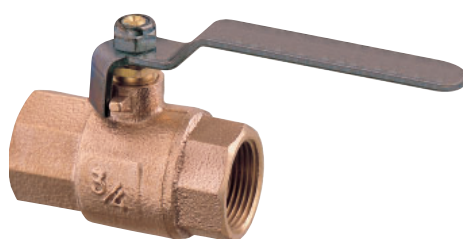
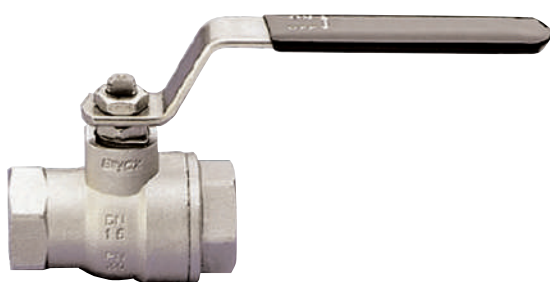
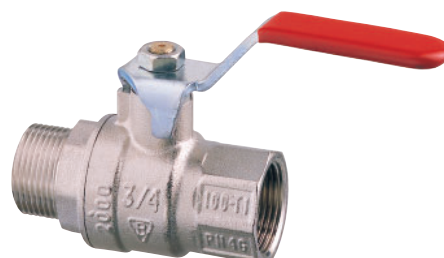
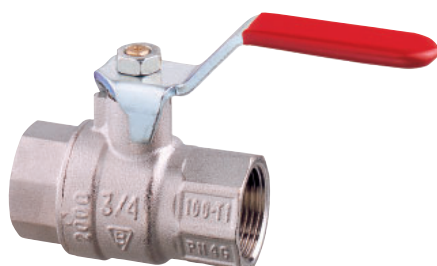
Acciaio inox
Stainless steel

1004I	■	■	■	■	■	■	■	■	■	■
SW	19	19	22	22	29	29	36	36	45	45
H	51	52	60	64	66	66	73	75	80	80
H1	30	30	38	38	39	40	45	44	48	48
A	13	13	13	17	18	18	18	20	22	22
F	8	10	12	16	15	20	19	24	29	32
P	12	15	15	20	20	25	25	30	35	38
G	3/8"	3/8"	1/2"	1/2"	3/4"	3/4"	1"	1"	1 1/4"	1 1/4"

1004I	■	■	■	■	■	■
SW	50	50	50	62	62	78
H	91	91	91	92	100	100
H1	55	55	55	54	60	60
A	26	26	26	26	27	27
F	35	35	38	45	52	63
P	40	40	45	50	60	70
G	1 1/2"	1 1/2"	1 1/2"	2"	2"	2 1/2"

gamma aggiuntiva
additional range

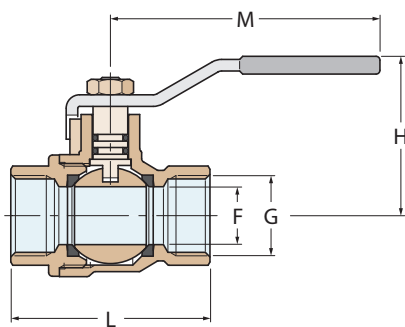
valvole a sfera ball valves



valvole a sfera ball valves

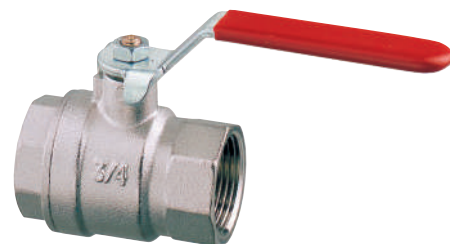
1560

Valvola a sfera F-F passaggio totale a leva
Lever operated ball valve F-F full flow



FILETTATURE / THREAD :
G = ISO 228/1 (BS 2779)

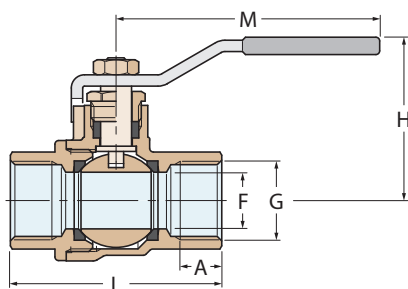
1560	■	■	■	■	■	■	■	■	■	■	■
PN	50	50	50	50	40	40	32	32	16	16	16
Weight (gr)	135	120	180	260	460	740	990	1550	2880	4000	7000
M	80	80	90	90	115	115	150	150	240	240	250
H	41	41	43	46	60	64	74	82	120	127	135
L	45	45	50	59	70	81	91	108	130	150	178
F	10	10	15	20	25	32	40	50	61	74	95
G	1/4"	3/8"	1/2"	3/4"	1"	1 1/4"	1 1/2"	2"	2 1/2"	3"	4"



Ottone nichelato
Nickel-plated brass ■

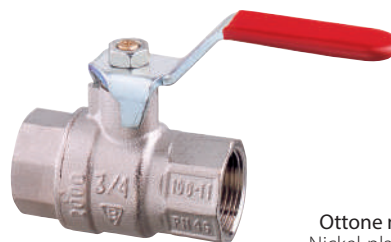
1570

Valvola a sfera F-F passaggio totale a leva
Lever operated ball valve F-F full flow



FILETTATURE / THREAD :
G = ISO 228/1 (BS 2779)

1570	■	■	■	■	■	■	■	■	■	■	■
1570I	■	■	■	■	■	■	■	■	■	■	■
PN	50	50	50	50	40	40	32	32	25	25	25
Weight (gr)	135	120	255	340	610	910	1280	1940	4050	5430	8750
M	80	80	90	90	125	125	140	140	250	250	250
H	41	41	54	58	66	71	80	88	131	140	156
L	45	45	63	71	83	92	104	124	140	159	195
F	10	10	15	20	25	32	40	50	61	74	95
A	10	10	15	16	19	21	21	26	27	28	35
G	1/4"	3/8"	1/2"	3/4"	1"	1 1/4"	1 1/2"	2"	2 1/2"	3"	4"



Conforme alla norma
Compliant with
UNI EN ISO 9093-1

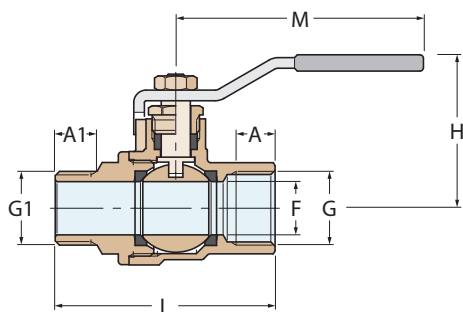
Ottone nichelato
Nickel-plated brass ■

1570I

Versione con leva in
acciaio inox
Version with lever in
stainless steel ■

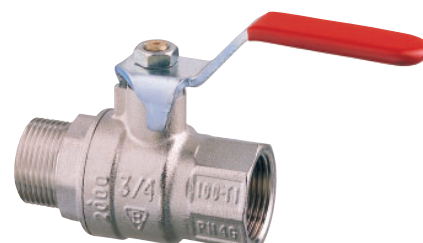
1571

Valvola a sfera M-F passaggio totale a leva
Lever operated ball valve M-F full flow



FILETTATURE / THREAD :
G - G1 = ISO 228/1 (BS 2779)

1571	■	■	■	■	■	■	■	■
PN	40	40	40	40	40	32	32	32
Weight (gr)	115	130	265	365	645	995	1370	2060
M	80	80	90	90	125	125	140	140
H	41	41	54	58	66	71	80	88
L	42	54	70	80	92	102	117	137
F	10	10	15	20	25	32	40	50
A - A1	10	10	15	16	19	21	21	26
G - G1	1/4"	3/8"	1/2"	3/4"	1"	1 1/4"	1 1/2"	2"

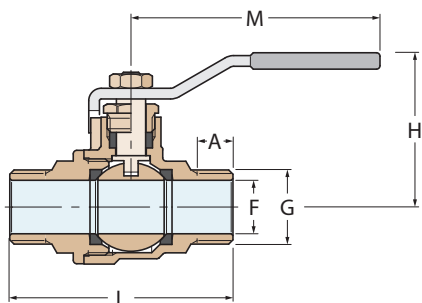


Ottone nichelato
Nickel-plated brass ■

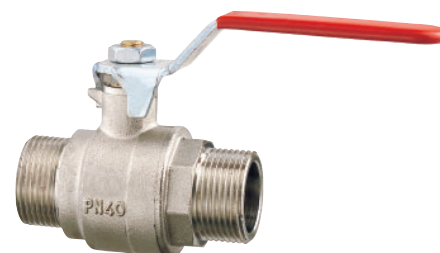
valvole a sfera ball valves

1572

Valvola a sfera M-M passaggio totale a leva
Lever operated ball valve M-M full flow



FILETTATURE / THREAD :
G = ISO 228/1 (BS 2779)



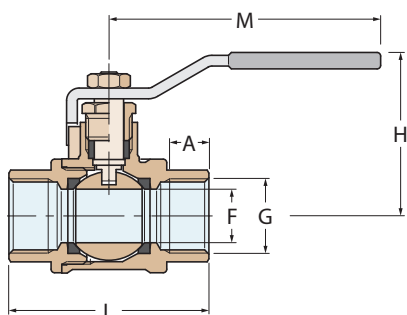
Ottone nichelato
Nickel-plated brass

1572 ■ ■ ■ ■

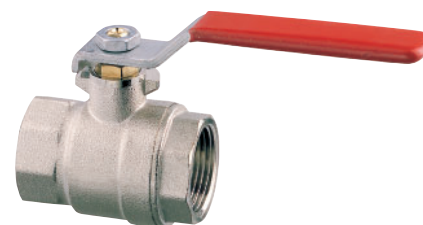
PN	40	40	40	40
Weight (gr)	125	210	350	650
M	80	90	90	125
H	41	54	58	66
L	54	68	77	92
F	10	15	20	25
A	10	15	16	19
G	3/8"	1/2"	3/4"	1"

1575

Valvola a sfera F-F passaggio totale a leva
Lever operated ball valve F-F full flow



FILETTATURE / THREAD :
G = ISO 228/1 (BS 2779)



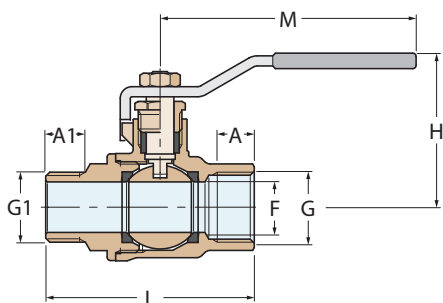
Ottone nichelato
Nickel-plated brass

1575 ■ ■ ■ ■ ■ ■ ■ ■ ■ ■ ■ ■

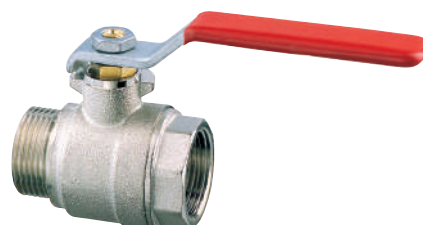
PN	30	30	30	30	30	30	30	30	25	25	25
Weight (gr)	145	130	200	280	440	670	1150	1870	3000	4100	6500
M	77	77	100	100	120	120	157	157	230	230	230
H	41	41	46	49	62	67	85	92	120	128	142
L	44	44	50	58	68	80	93	110	134	151	180
F	10	10	15	20	25	32	40	50	63	74	92
A	12	12	12	13	15	17	19	21	23	25	29
G	1/4"	3/8"	1/2"	3/4"	1"	1 1/4"	1 1/2"	2"	2 1/2"	3"	4"

1576

Valvola a sfera M-F passaggio totale a leva
Lever operated ball valve M-F full flow



FILETTATURE / THREAD :
G - G1 = ISO 228/1 (BS 2779)



Ottone nichelato
Nickel-plated brass

1576 ■ ■ ■ ■ ■ ■ ■ ■

PN	30	30	30	30	30	30	30
Weight (gr)	128	126	192	270	440	660	910
M	77	77	100	100	120	120	157
H	41	41	46	49	62	67	85
L	44	44	50	58	68	80	93
F	10	10	15	20	25	32	40
A - A1	12	12	12	13	15	17	19
G - G1	1/4"	3/8"	1/2"	3/4"	1"	1 1/4"	1 1/2"

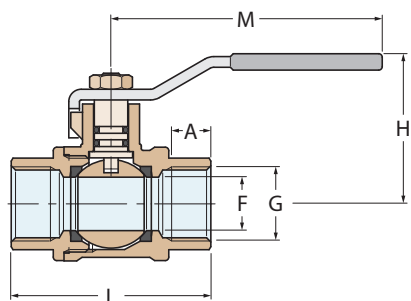
C1

valvole a sfera ball valves

1577

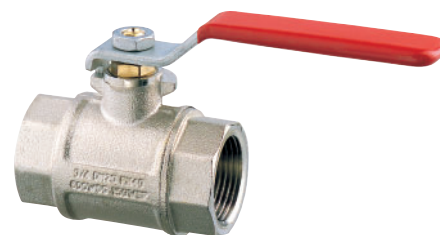
Valvola a sfera F-F passaggio totale a leva
Lever operated ball valve F-F full flow

Conforme alla norma
Compliant with
UNI EN ISO 9093-1



FILETTATURE / THREAD :
G = EN 10226/1 (BS 21)

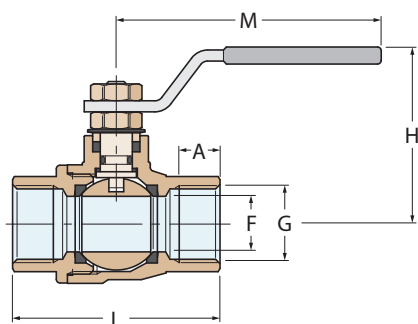
1577	■	■	■	■	■	■
PN	40	40	40	40	40	40
Weight (gr)	236	343	545	830	1350	2320
M	100	100	120	120	157	157
H	46	49	62	67	85	92
L	58	66	76	89	101	119
F	15	20	25	32	40	50
A	16	17	19.1	21.4	21.4	25.7
G	1/2"	3/4"	1"	1"1/4	1"1/2	2"



Ottone nichelato
Nickel-plated brass ■

1815

Valvola a sfera F-F passaggio totale a leva
Lever operated ball valve F-F full flow



FILETTATURE / THREAD :
G = EN 10226/1 (BS 21)

1815	■	■	■	■	■	■	■	■	■	■
PN	100	100	100	64	64	40	40	40	40	40
Weight (gr)	220	205	275	465	710	1180	1740	2930	6200	9000
M	110	110	110	140	140	180	180	230	270	270
H	52	52	55	66	70	85	91	105	140	148
L	50	50	60	70	85	95	105	125	162	178
F	8	10	15	20	25	32	40	50	65	80
A	11.4	11.4	15	16.3	19.1	21.4	21.4	25.7	32.5	32.5
G	1/4"	3/8"	1/2"	3/4"	1"	1"1/4	1"1/2	2"	2"1/2	3"

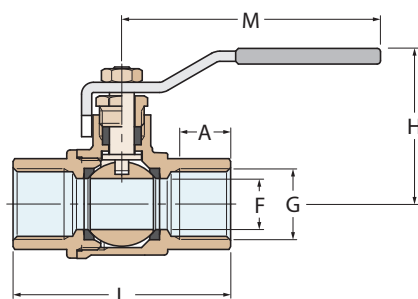


Acciaio Inox
Stainless steel ■

1850

Valvola a sfera F-F passaggio totale a leva serie "2000"
Lever operated ball valve F-F - full flow "2000" series

Conforme alla norma
Compliant with
UNI EN ISO 9093-1



FILETTATURE / THREAD :
G = EN 10226/1 (BS 21)

1850	■	■	■	■	■	■	■	■	■
1851	■	■	■	■	■	■	■	■	■
PN	63	63	63	63	63	40	25	25	25
Weight (gr)	150	180	280	465	750	1375	2050	3500	5250
M	95	95	95	115	115	155	155	175	232
H	42	42	46	55	60	77	78	100	110
L	46	52	66	76	90	110	120	140	164
F	10	10	15	20	25	32	40	50	65
A	10	11.4	15	16.3	19.1	21.4	21.4	25.7	30.1
G	1/4"	3/8"	1/2"	3/4"	1"	1"1/4	1"1/2	2"	2"1/2



Ottone nichelato
Nickel-plated brass ■

1851

Versione con leva in
acciaio inox
Version with lever in
stainless steel ■

valvole a sfera ball valves

1855

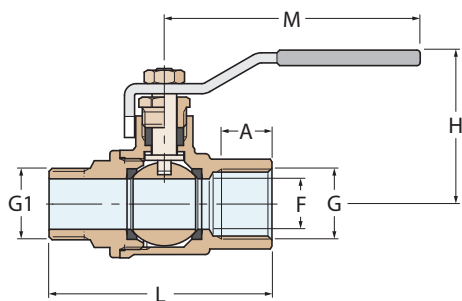
Valvola a sfera M-F passaggio totale a leva serie "2000"

Lever operated ball valve M-F - full flow
2000 series

Conforme alla norma

Compliant with

UNI EN ISO 9093-1



FILETTATURE / THREAD :
G - G1 = EN 10226/1 (BS 21)

1855	■	■	■	■	■	■	■	■
1856	■	■	■	■	■	■	■	■
PN	63	63	63	63	63	40	25	25
Weight (gr)	135	150	250	400	700	1100	1800	3000
M	95	95	95	115	115	155	155	175
H	42	42	46	55	60	77	78	100
L	50	58	71	81	94	112	123	144
F	10	10	15	20	25	32	40	50
A	10	11.4	15	16.3	19.1	21.4	21.4	25.7
G - G1	1/4"	3/8"	1/2"	3/4"	1"	1 1/4"	1 1/2"	2"



Ottone nichelato
Nickel-plated brass

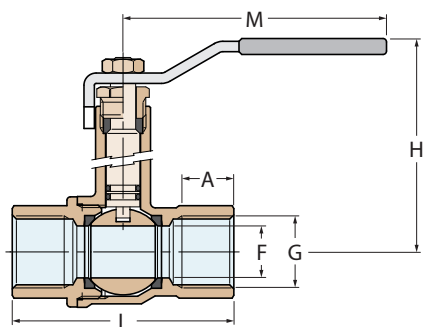
1856

Versione con leva in
acciaio inox
Version with lever in
stainless steel

1860

Valvola a sfera F-F con albero prolungato

Lever operated ball valve F-F
with stem extension



FILETTATURE / THREAD :
G = EN 10226/1 (BS 21)

1860	■	■	■	■	■	■
PN	40	40	40	40	40	40
Weight (gr)	275	500	670	1000	1310	2170
M	95	115	115	155	155	175
H	84.5	92.5	96.5	108.5	114	130
L	62	70	84	98	106	126
F	14	19	24	30	35	43
A	15	16.3	19.1	21.4	21.4	25.7
G	1/2"	3/4"	1"	1 1/4"	1 1/2"	2"



Ottone nichelato
Nickel-plated brass

1870

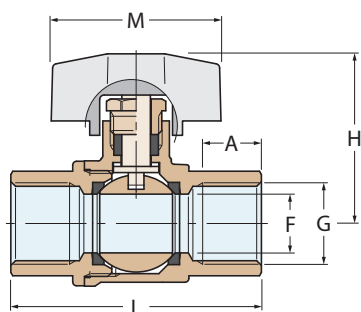
Valvola a sfera F-F passaggio totale a farfalla serie "2000"

Throttle operated ball valve f-f - full flow
"2000" series

Conforme alla norma

Compliant with

UNI EN ISO 9093-1



FILETTATURE / THREAD :
G = EN 10226/1 (BS 21)

1870	■	■	■	■	■
PN	40	40	40	40	40
Weight (gr)	175	190	300	500	790
M	45	45	45	65	65
H	42	42	46	55	60
L	46	52	66	76	90
F	10	10	15	20	25
A	10	11.4	15	16.3	19.1
G	1/4"	3/8"	1/2"	3/4"	1"

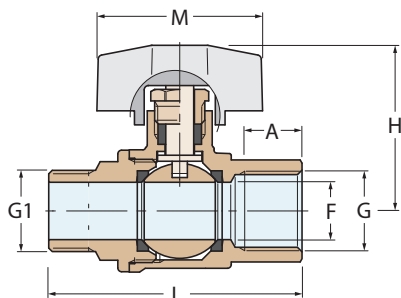


Ottone nichelato
Nickel-plated brass

C1

valvole a sfera ball valves

1875



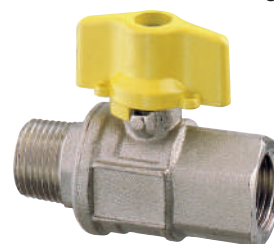
Valvola a sfera M-F passaggio totale a farfalla serie "2000"

Throttle operated ball valve M-F - full flow "2000" series

Conforme alla norma

Compliant with

UNI EN ISO 9093-1

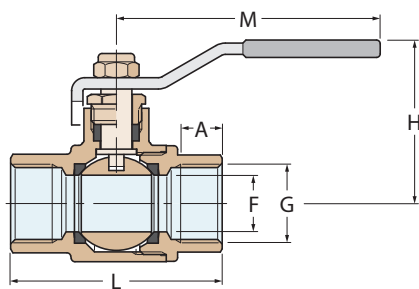


Ottone nichelato
Nickel-plated brass

FILETTATURE / THREAD :
G - G1 = EN 10226/1 (BS 21)

1875	■	■	■	■	■
PN	40	40	40	40	40
Weight (gr)	170	190	290	485	780
M	45	45	45	65	65
H	42	42	46	55	60
L	50	58	71	81	94
F	10	10	15	20	25
A	10	11.4	15	16.3	19.1
G - G1	1/4"	3/8"	1/2"	3/4"	1"

2080



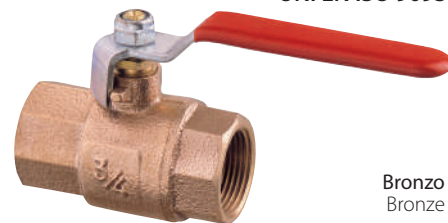
Valvola a sfera F-F passaggio totale a leva corpo in bronzo

Lever operated ball valve F-F - full flow bronze body

Conforme alla norma

Compliant with

UNI EN ISO 9093-1



Bronzo
Bronze

FILETTATURE / THREAD :
G = EN 10226/1 (BS 21)

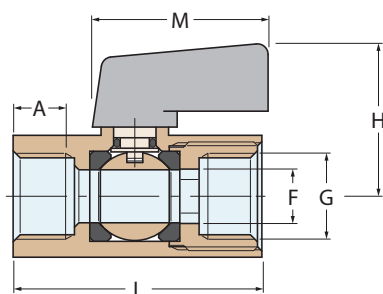
2080	■	■	■	■	■	■	■	■	■	■	■
2081	■	■	■	■	■	■	■	■	■	■	■
PN	32	32	32	32	32	32	32	32	25	25	25
Weight (gr)	210	185	270	380	625	985	1300	2480	3670	6540	10000
M	85	85	85	104	104	122	122	153	200	280	280
H	45	45	45	55	57	75	80	98	120	144	165
L	51	51	62	70	85	99	110	134	142	178	210
F	12	12	15	19	25	32	40	50	60	76	95
A	10	12	15	16.3	19.1	21.4	21.4	25.7	26	30	31
G	1/4"	3/8"	1/2"	3/4"	1"	1 1/4"	1 1/2"	2"	2 1/2"	3"	4"

2081



Versione con leva in
acciaio inox
Version with lever in
stainless steel

1595



Valvola a sfera "mini" F-F Ball valve "mini" F-F



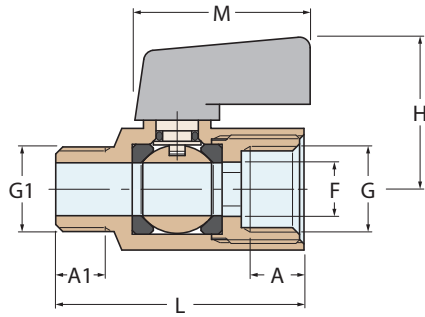
Ottone nichelato
Nickel-plated brass

FILETTATURE / THREAD :
G = ISO 228/1 (BS 2779)

1595	■	■	■
PN	10	10	10
Weight (gr)	90	85	115
M	34	34	34
H	28	28	31
L	41	41	45
F	7.5	7.5	9.5
A	10	10	10
G	1/4"	3/8"	1/2"

valvole a sfera ball valves

1596



FILETTATURE / THREAD :
G - G1 = ISO 228/1 (BS 2779)

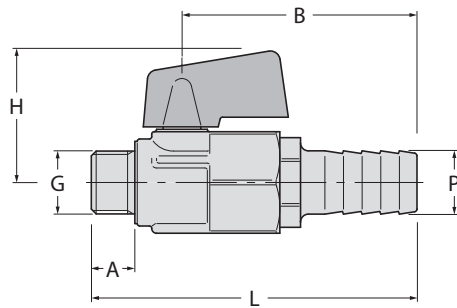
Valvola a sfera "mini" M-F
Ball valve "mini" M-F



Ottone nichelato
Nickel-plated brass

1596	■	■	■
PN	10	10	10
Weight (gr)	70	80	100
M	34	34	34
H	28	28	31
L	41	41	45
F	7.5	7.5	9.5
A1	8	10	10
A	10	10	10
G - G1	1/4"	3/8"	1/2"

1134



FILETTATURE / THREAD :
G = ISO 228/1 (BS 2779)

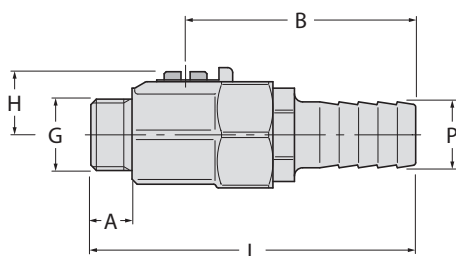
Rubinetto di scarico a sfera maschio con maniglia
Drain cock with male end lever operated



Ottone nichelato
Nickel-plated brass

1134	■
PN	10
Weight (gr)	100
H	29
A	9
L	71
B	52
P	12
G	1/4"

1135



FILETTATURE / THREAD :
G = ISO 228/1 (BS 2779)

Valvola a sfera M-F passaggio totale a farfalla serie "2000"
Throttle operated ball valve M-F - full flow "2000" series



Ottone nichelato
Nickel-plated brass

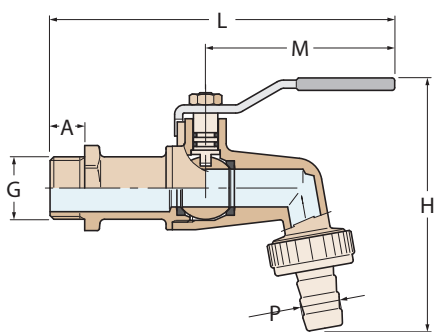
1135	■
PN	10
Weight (gr)	90
H	13
A	9
L	71
B	52
P	12
G	1/4"

C1

valvole a sfera ball valves

1555

Rubinetto a sfera con portagomma
Ball bibcock with hose connection



FILETTATURE / THREAD :
G = ISO 228/1 (BS 2779)

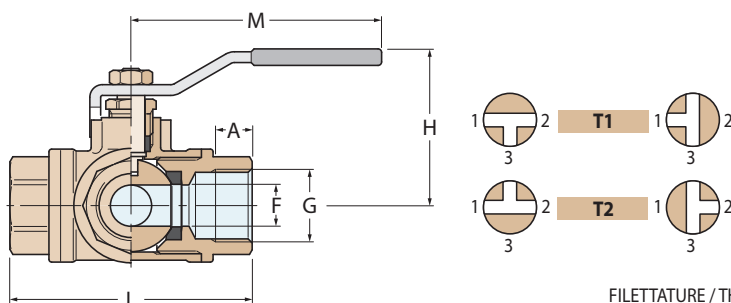
1555	■	■	■	■
PN	10	10	10	10
Weight (gr)	190	245	375	575
H	92	90	98	120
L	145	145	155	170
M	90	90	90	115
P	14	14	20	25
A	11	11	15	17
G	3/8"	1/2"	3/4"	1"



Ottone nichelato
Nickel-plated brass

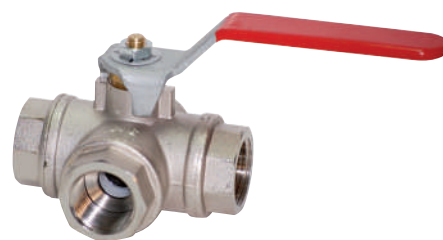
1551

Valvola a sfera a tre vie PN32 flusso a "T"
Three ways ball valve F-F-F PN32 - "T" flow



FILETTATURE / THREAD :
G = ISO 228/1 (BS 2779)

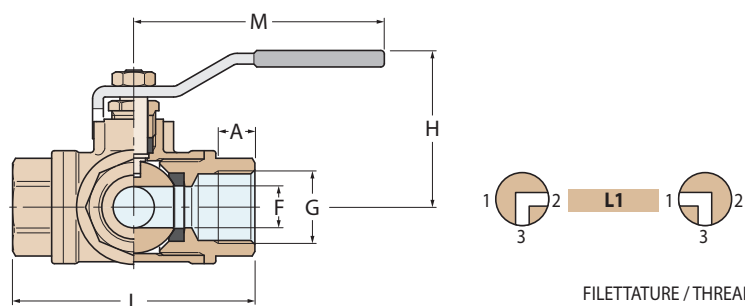
1551	■	■	■	■	■	■	■	■
PN	32	32	32	32	32	25	25	25
Weight (gr)	450	420	650	860	1490	1790	3610	5200
M	90	90	125	125	140	140	220	220
H	56	56	62	66	73	76	97	104
L	74	74	80	90	105	115	138	161
F	10	10	12	15	20	25	32	40
A	12	12	14	16	19	21	23	26
G	1/4"	3/8"	1/2"	3/4"	1"	1 1/4"	1 1/2"	2"



Ottone nichelato
Nickel-plated brass

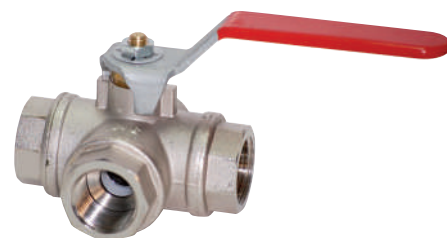
1552

Valvola a sfera a tre vie flusso a "L"
Three ways ball valve F-F-F - "L" flow



FILETTATURE / THREAD :
G = ISO 228/1 (BS 2779)

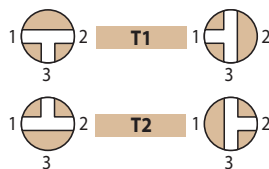
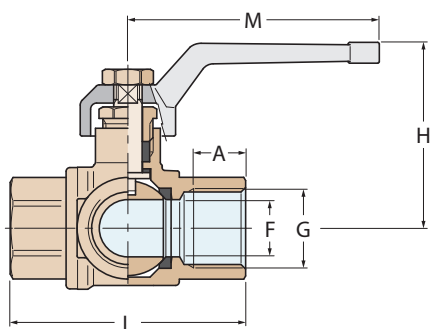
1552	■	■	■	■	■	■	■	■
PN	32	32	32	32	32	25	25	25
Weight (gr)	450	420	660	870	1510	1840	3650	5170
M	90	90	125	125	140	140	220	220
H	56	56	62	66	73	76	97	104
L	74	74	80	90	105	115	138	161
F	10	10	12	15	20	25	32	40
A	12	12	14	16	19	21	23	26
G	1/4"	3/8"	1/2"	3/4"	1"	1 1/4"	1 1/2"	2"



Ottone nichelato
Nickel-plated brass

valvole a sfera ball valves

1900



FILETTATURE / THREAD :
G = EN 10226/1 (BS 21)

**Valvola deviatrice a tre vie passaggio totale
F-F-F - flusso a "T"**

Full flow 3 ways diverter valve "T" flow F-F-F

Conforme alla norma

Compliant with

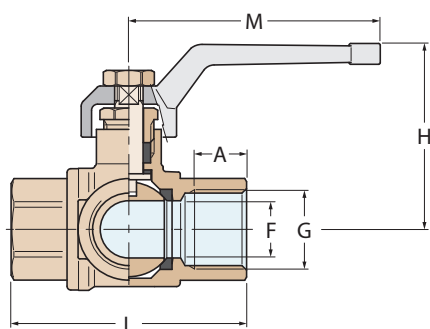
UNI EN ISO 9093-1



Ottone nichelato
Nickel-plated brass

1900	■	■	■	■	■	■	■	■	■
PN	16	16	16	16	16	16	16	16	16
Weight (gr)	170	185	290	480	780	1320	1920	3100	6600
M	110	110	110	130	130	159	159	188	190
H	48	48	50	62.5	67	82	88.5	109	120
L	46	52	66	76	90	110	120	140	160
F	10	10	15	20	25	32	40	50	65
A	10	11.4	15	16.3	19.1	21.4	21.4	25.7	35
G	1/4"	3/8"	1/2"	3/4"	1"	1 1/4"	1 1/2"	2"	2 1/2"

1905



FILETTATURE / THREAD :
G = EN 10226/1 (BS 21)

**Valvola deviatrice a tre vie passaggio totale
F-F-F - flusso a "L"**

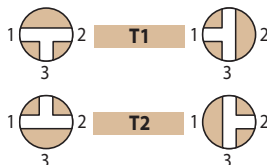
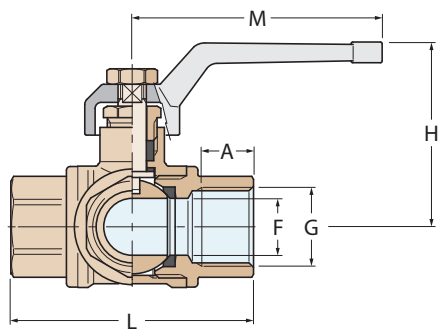
Full flow 3 ways diverter valve "L" flow F-F-F



Ottone nichelato
Nickel-plated brass

1905	■	■	■	■	■	■	■	■	■
PN	16	16	16	16	16	16	16	16	16
Weight (gr)	175	190	300	550	850	1450	2100	3520	6600
M	110	110	110	130	130	159	159	188	190
H	48	48	50	62.5	67	82	88.5	109	120
L	46	52	66	76	90	110	120	140	160
F	10	10	15	20	25	32	40	50	65
A	10	11.4	15	16.3	19.1	21.4	21.4	25.7	35
G	1/4"	3/8"	1/2"	3/4"	1"	1 1/4"	1 1/2"	2"	2 1/2"

1920



FILETTATURE / THREAD :
G = EN 10226/1 (BS 21)

Valvola a sfera a tre vie F-F-F - flusso a "T"

Three ways ball valve F-F-F - "T" flow

Conforme alla norma

Compliant with

UNI EN ISO 9093-1



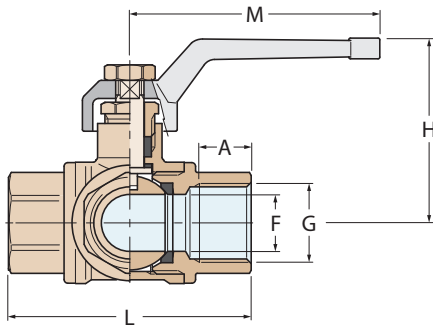
Ottone nichelato
Nickel-plated brass

1920	■	■	■	■	■	■	■	■	■
PN	16	16	16	16	16	16	16	16	16
Weight (gr)	190	215	380	630	1100	1840	3200	5100	
M	110	110	110	130	130	159	159	188	
H	48	48	50	63	67	82	89	109	
L	52	52	66	76	93	108	126	146	
F	10	10	13	17.5	22	28	35	44	
A	10	11.4	15	16.3	19.1	21.4	21.4	25.7	
G	1/4"	3/8"	1/2"	3/4"	1"	1 1/4"	1 1/2"	2"	

C1

valvole a sfera ball valves

1925



FILETTATURE / THREAD :
G = EN 10226/1 (BS 21)

Valvola a sfera a tre vie F-F-F - flusso a "L"
Three ways ball valve F-F-F - "L" flow

Conforme alla norma
Compliant with
UNI EN ISO 9093-1



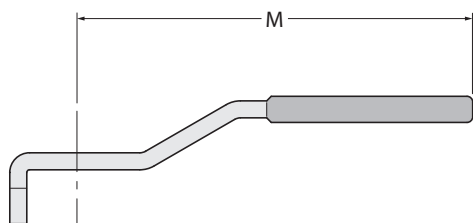
Ottone nichelato
Nickel-plated brass

1925	■	■	■	■	■	■	■	■
PN	16	16	16	16	16	16	16	16
Weight (gr)	195	215	360	625	1100	1900	3200	5300
M	110	110	110	130	130	159	159	188
H	48	48	50	63	67	82	89	109
L	52	52	66	76	93	108	126	146
F	10	10	13	17.5	22	28	35	44
A	10	11.4	15	16.3	19.1	21.4	21.4	25.7
G	1/4"	3/8"	1/2"	3/4"	1"	1"1/4	1"1/2	2"

KIT2081

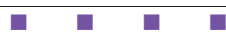
Leva e dado in acciaio inox per valvole a sfera in bronzo

Set comprising stainless steel handle and nut for bronze ball valves



KIT2081

for Art. 2081



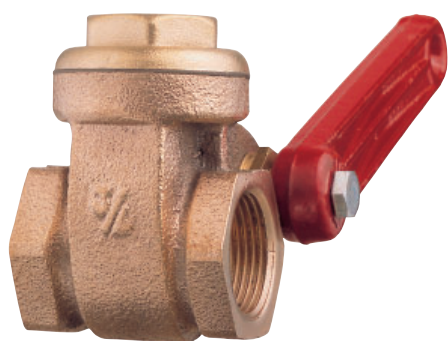
M	85	104	122	153
Size	1/2"	1"	1"1/2	2"

Acciaio inox
Stainless steel

gamma aggiuntiva
additional range

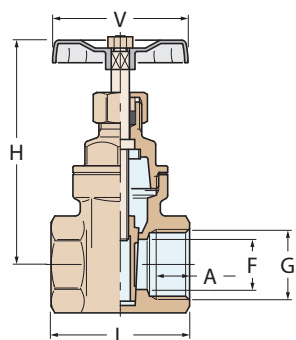
valvole a globo e saracinesche

gate and globe valves



valvole a globo e saracinesche gate and globe valves

1521



FILETTATURE / THREAD :
G = ISO 228/1 (BS 2779)

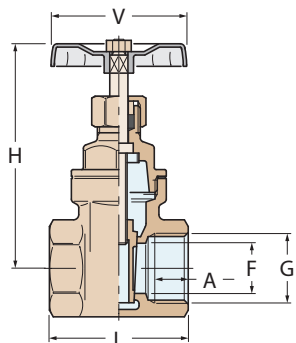
1521	16	16	16	16	16	16	16	16	16	16	10	10	
PN	16	16	16	16	16	16	16	16	16	16	10	10	
Weight (gr)	170	155	180	260	360	500	665	1040	1620	2200	3600	8500	13000
V	45	45	45	50	55	60	70	80	100	100	120	170	140
H	67	67	68	78	91	108	125	143	175	200	235	300	350
L	33	33	38	44	48	51	58	63	64	74	84	107	113
F	11	13	15	19	24	32	37	47	60	72	93	117	143
A	8	8	9	10	11	12	13	13	13	14	16	20	21
G	1/4"	3/8"	1/2"	3/4"	1"	1 1/4"	1 1/2"	2"	2 1/2"	3"	4"	5"	6"

Saracinesca serie normale
Normal series gate valve



Ottone sabbiato
Yellow brass

1522



FILETTATURE / THREAD :
G = ISO 228/1 (BS 2779)

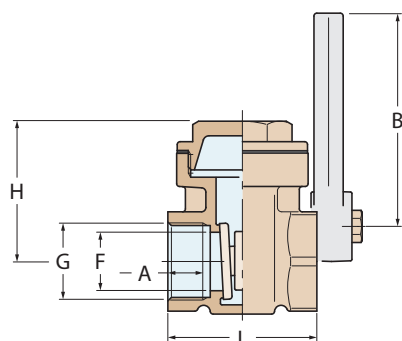
1522	16	16	16	16	16	16	16	16	16	16	10	10	
PN	16	16	16	16	16	16	16	16	16	16	10	10	
Weight (gr)	165	170	190	280	370	565	805	1195	2055	2710	4660	10000	15000
V	45	45	45	50	55	60	70	80	100	100	120	140	200
H	66	66	68	78	92	108	125	145	175	200	240	300	350
L	36	38	38	45	48	51	58	62	76	80	96	112	121
F	11	13	15	19	24	32	37	47	60	72	93	117	142
A	8	9	9	10	11	11	13	13	16	16	19	20	27
G	1/4"	3/8"	1/2"	3/4"	1"	1 1/4"	1 1/2"	2"	2 1/2"	3"	4"	5"	6"

Saracinesca serie normale
Normal series gate valve



Bronzo
Bronze

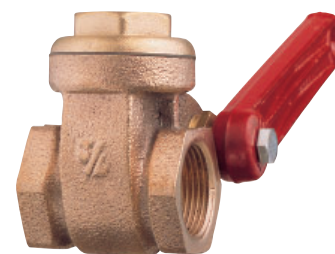
1525



FILETTATURE / THREAD :
G = ISO 228/1 (BS 2779)

1525	16	16	16	16	16	16	16	16	16	16
PN	16	16	16	16	16	16	16	16	16	16
Weight (gr)	370	370	560	770	1000	1420	1900	3400	4300	7540
B	80	80	100	100	120	136	165	205	205	255
H	40	40	48	55	62	68	81	108	121	148
L	44	46	51	57	61	67	77	86	91	102
F	15	15	20	25	32	37	47	58	72	92
A	11	13	14	16	17	19	20	20	21	24
G	3/8"	1/2"	3/4"	1"	1 1/4"	1 1/2"	2"	2 1/2"	3"	4"

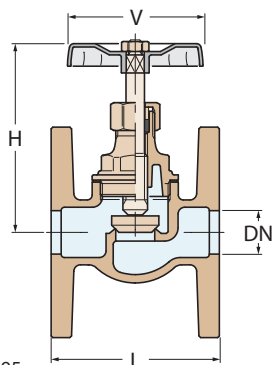
Saracinesca chiusura rapida
Quick-closing gate valve



Bronzo
Bronze

valvole a globo e saracinesche gate and globe valves

1630



Valvola "globo" sede metallica con flange cieche o forate PN6/16
 "Globe" valve metal tightness with undrilled or PN6/16 drilled flanges

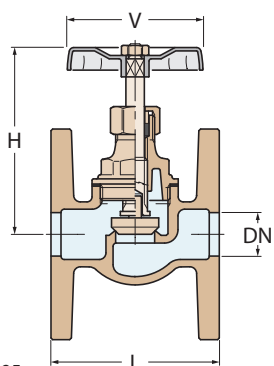


Bronzo
Bronze

Tabella flange a pag. 195
Flange table on page 195

1630	■	■	■	■	■	■	■	■	■
PN	16	16	16	16	16	16	16	16	16
Weight (gr)	1350	2000	2500	3800	4600	6400	10500	13000	18500
V	60	60	70	70	80	90	125	150	150
H	80	92	108	120	132	155	220	235	260
L	70	80	99	108	130	147	190	207	220
DN	15	20	25	32	40	50	65	80	100

1630A



Valvola "globo" sede metallica - chiusura semiautomatica con flange cieche o forate PN6/16
 "Globe" valve metal tightness - semi automatic closing with undrilled or PN6/16 drilled flanges

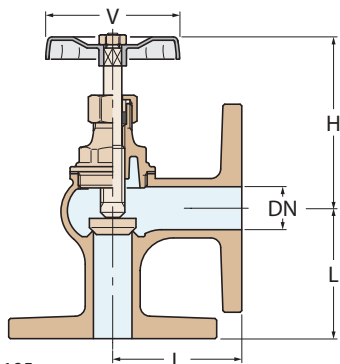


Bronzo
Bronze

Tabella flange a pag. 195
Flange table on page 195

1630A	■	■	■	■	■	■	■	■	■
PN	16	16	16	16	16	16	16	16	16
Weight (gr)	1350	2000	2500	3800	4600	6400	10500	13000	18500
V	60	60	70	70	80	90	125	150	150
H	80	92	108	120	132	155	220	235	260
L	70	80	99	108	130	147	190	207	220
DN	15	20	25	32	40	50	65	80	100

1650



Valvola "globo" a squadra sede metallica con flange cieche o forate PN6/16
 "Globe" angle valve metal tightness with undrilled or PN6/16 drilled flanges



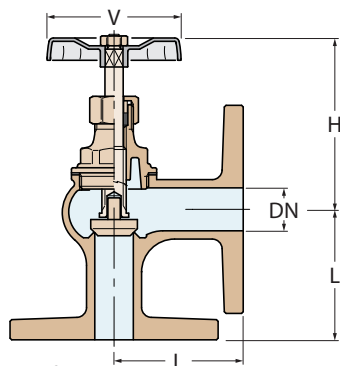
Bronzo
Bronze

Tabella flange a pag. 195
Flange table on page 195

1650	■	■	■	■	■	■	■	■	■
PN	16	16	16	16	16	16	16	16	16
Weight (gr)	1800	2150	3100	4500	5200	7500	10700	12800	16000
V	60	60	70	70	80	90	125	150	150
H	74	83	104	110	143	160	187	225	220
L	60	65	72	85	90	105	110	115	140
DN	15	20	25	32	40	50	65	80	100

valvole a globo e saracinesche gate and globe valves

1650A



Valvola "globo" a squadra sede metallica - chiusura semiautomatica con flange cieche o forate PN6/16

"Globe" angle valve metal tightness - semi automatic closing with undrilled or PN6/16 drilled flanges



Bronzo
Bronze

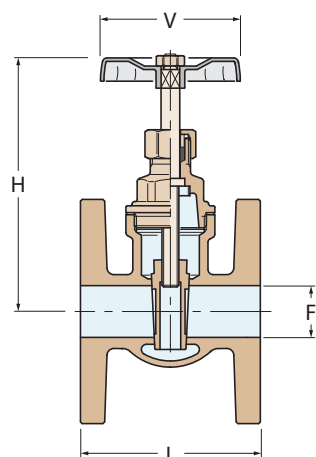
Tabella flange a pag. 195
Flange table on page 195

1650A	■	■	■	■	■	■	■	■	■
PN	16	16	16	16	16	16	16	16	16
Weight (gr)	1800	2150	3100	4500	5200	7500	10700	12800	16000
V	60	60	70	70	80	90	125	150	150
H	74	83	104	110	143	160	187	225	220
L	60	65	72	85	90	105	110	115	140
DN	15	20	25	32	40	50	65	80	100

1660

Valvola saracinesca con flange forate PN6/16

Gate valve with PN6/16 drilled flanges



Bronzo
Bronze

Tabella flange a pag. 195
Flange table on page 195

1660	■	■	■	■	■	■	■	■	■	■	■
Weight PN6 (Kg)	950	1270	1640	2440	3500	4350	6800	9320	14000	20840	30200
Weight PN16(Kg)	1200	1780	2020	3400	4200	5600	7400	10000	14700	22100	31000
PN	16	16	16	16	16	16	16	16	16	16	16
V	55	55	60	70	70	80	110	120	140	175	200
H	82	103	103	122	132	155	198	237	325	312	370
L	75	80	90	100	110	125	145	162	170	200	210
F	16	22	25	32	40	48	65	80	100	119	142
DN	15	20	25	32	40	50	65	80	100	125	150

gamma aggiuntiva
additional range

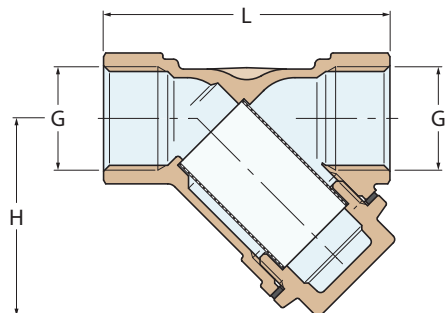
valvole di non ritorno e filtraggio non-return and filtering valves



valvole di non ritorno e filtraggio non-return and filtering valves

1504

Filtro a 45°
45° filter



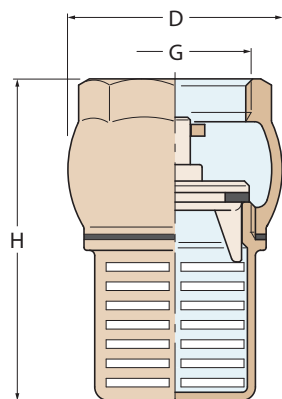
FILETTATURE / THREAD :
G = ISO 228/1 (BS 2779)

Ottone sabbiato
Yellow brass

1504	■	■	■	■	■	■	■	■
PN	20	20	20	20	20	20	20	20
Weight (gr)	150	130	140	220	420	605	830	1330
H	40	40	40	50	60	68	75	90
L	55	55	58	70	87	96	106	126
G	1/4"	3/8"	1/2"	3/4"	1"	1"1/4	1"1/2	2"

1530

Valvola di fondo tenuta gomma
Rubber disk foot-valve



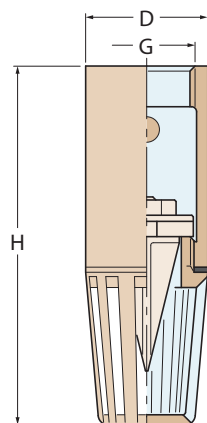
FILETTATURE / THREAD :
G = ISO 228/1 (BS 2779)

Ottone sabbiato
Yellow brass

1530	■	■	■	■	■	■	■	■
PN	10	10	10	8	8	6	6	6
Weight (gr)	200	300	505	595	910	1500	2120	3580
H	70	82	95	103	121	137	173	199
D	45	51	62	69	80	100	121	145
G	3/4"	1"	1"1/4	1"1/2	2"	2"1/2	3"	4"

1531

Valvola di fondo tubolare tenuta gomma
Tubular rubber gasket foot-valve



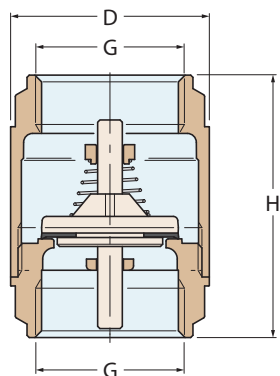
FILETTATURE / THREAD :
G = ISO 228/1 (BS 2779)

Ottone sabbiato
Yellow brass

1531	■	■	■	■	■	■	■	■
PN	10	10	10	8	8	6	6	6
Weight (gr)	200	280	400	600	865			
H	95	111	126	140	164			
D	30	37	46	52	63			
G	3/4"	1"	1"1/4	1"1/2	2"	2"1/2	3"	4"

valvole di non ritorno e filtraggio non-return and filtering valves

1532



Valvola di ritegno a molla - chiusura POM/NBR
Spring check valve - POM/NBR closing system

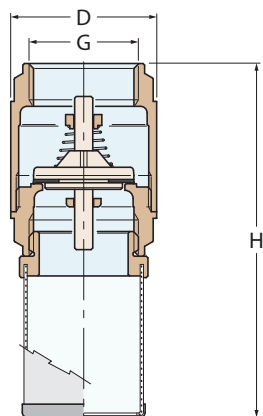


FILETTATURE / THREAD :
G = ISO 228/1 (BS 2779)

1532	16	16	16	16	16	10	10	10	8	8	8
PN	16	16	16	16	16	10	10	10	8	8	8
Weight (gr)	90	75	100	155	225	350	470	710	1260	1810	3100
H	45	45	48	53	59	66	71	80	93	104	119
D	29	29	30	37	44	56	63	78	103	120	155
G	1/4"	3/8"	1/2"	3/4"	1"	1 1/4"	1 1/2"	2"	2 1/2"	3"	4"

Ottone sabbiato
Yellow brass

1533



Valvola di fondo a molla - chiusura POM/NBR con filtro inox
Foot-valve - POM/NBR closing system with stainless steel filter

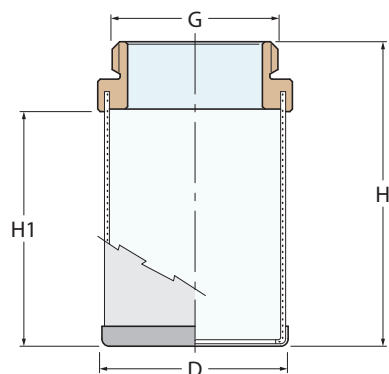


FILETTATURE / THREAD :
G = ISO 228/1 (BS 2779)

1533	16	16	16	16	10	10	10	8	8	8
PN	16	16	16	16	10	10	10	8	8	8
Weight (gr)	95	125	190	285	415	550	860	1510	2180	3550
H	88	91	102	113	125	140	164	177	193	234
D	29	30	37	44	56	63	78	103	120	155
G	3/8"	1/2"	3/4"	1"	1 1/4"	1 1/2"	2"	2 1/2"	3"	4"

Ottone sabbiato
Yellow brass

FI1533



Filtro inox per valvola di fondo
Stainless steel filter for foot-valve



FILETTATURE / THREAD :
G = ISO 228/1 (BS 2779)

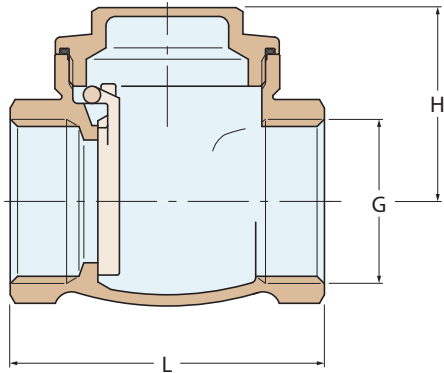
FI1533	15	20	35	50	90	100	140	200	270	390
for Art. 1533										
Weight (gr)	15	20	35	50	90	100	140	200	270	390
H1	36	36	41	47	52	62	77	75	90	105
H	49	49	55	63	69	79	94	96	111	127
D	19	23	30	37	45	49.5	62	81	93.5	116
G	3/8"	1/2"	3/4"	1"	1 1/4"	1 1/2"	2"	2 1/2"	3"	4"

Acciaio inox
Stainless steel

valvole di non ritorno e filtraggio non-return and filtering valves

1670

Valvola a clapet tenuta metallica
Swing check valve metal tightness



FILETTATURE / THREAD :
G = ISO 228/1 (BS 2779)

1670	16	16	16	16	16	16	16	16	16	10
Weight (gr)	170	145	210	335	485	650	1000	1555	2240	3795
H	32	32	35	39	47	51	59	67	77	92
L	47	47	54	64	76	83	98	116	135	164
G	3/8"	1/2"	3/4"	1"	1"1/4	1"1/2	2"	2"1/2	3"	4"

1670B	16	16	16	16	16	16	16	16	16
Weight (gr)	215	350	500	690	870	1380	2050	3190	5600
H	36	43	49	57	63	69	82	91	123
L	55	62	72	82	90	105	125	144	176
G	1/2"	3/4"	1"	1"1/4	1"1/2	2"	2"1/2	3"	4"



Ottone sabbiato
Yellow brass

1670B



Bronzo
Bronze

